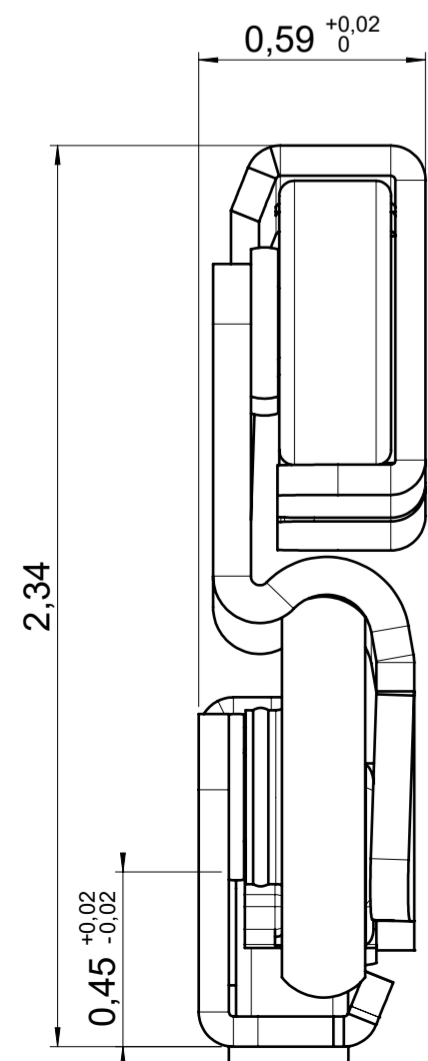
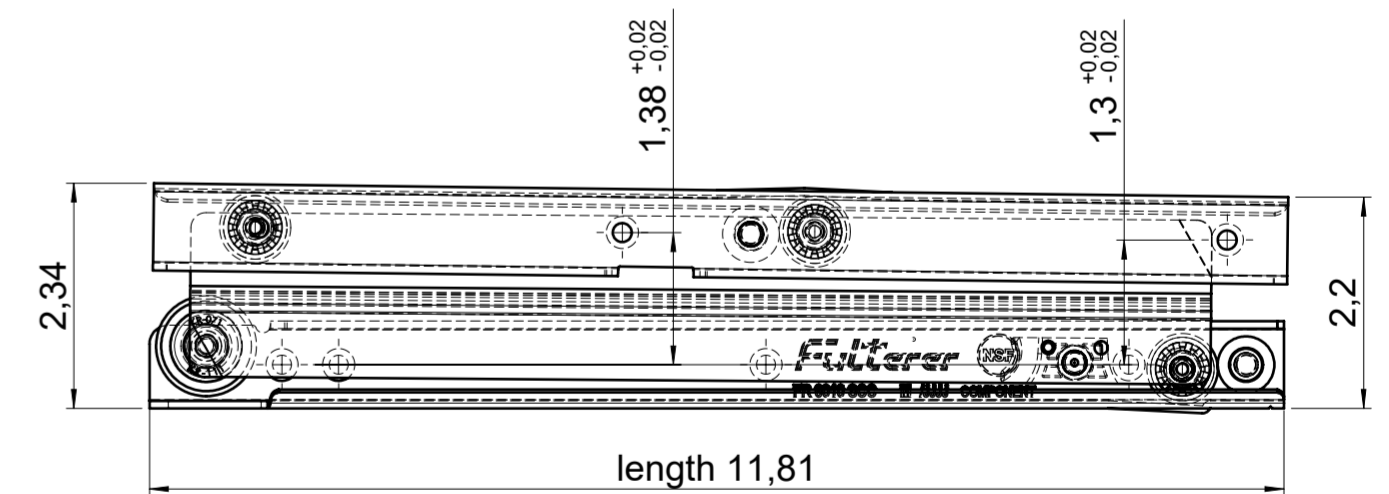
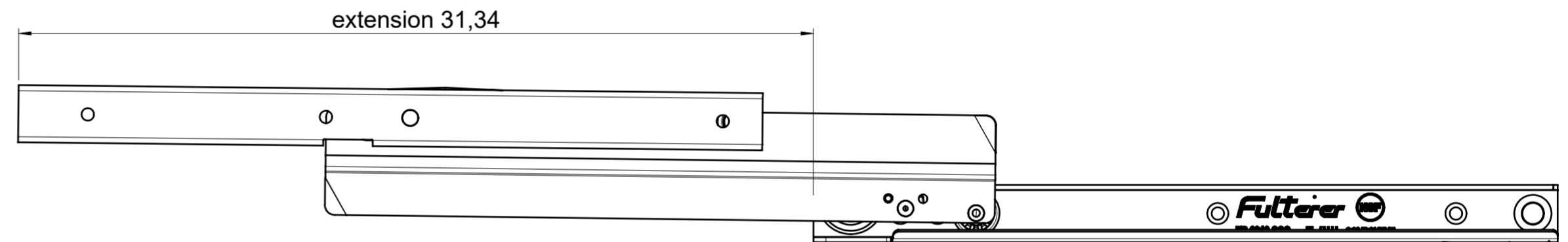
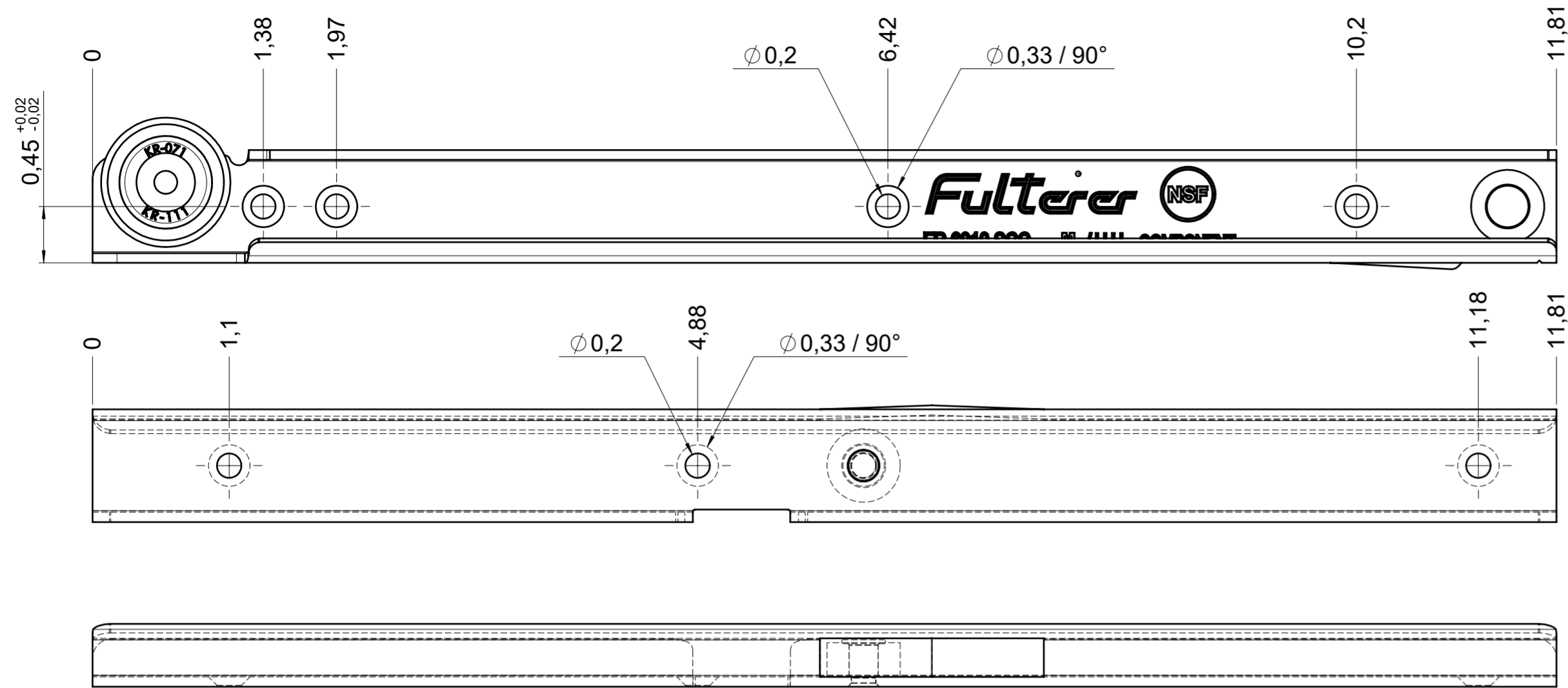


drawn left (right mirrorimage)



final approval

customer name:

signed by:

date:

all dimensions in inch

DIN ISO 128-30
missing dimensions see 3D
= theor. intersection

This drawing remains our property and may not be multiplied neither be disclosed to third parties (§§1,3 and 5 from the copyright Act (UrhG)) covered according to DIN ISO 16016				scale: 1:1	surface:	material, semi finished parts: CS (technical requirements Fulterer)
(k)				date	name	description: FR 6010 / 30 CS EN (inch) over-extension drawerside / side mount
(l)				drawn 02-01-2023	pr	
(m)				proven 01-02-2023	pr	
(n)				Fulterer		
(o)						
(p)				Fulterer AG & Co KG A-6890 Lustenau / Austria	drawing number: CS# 6010.300-GA.SB00	
(q)				Fulterer AG CH-9430 St. Margrethen	replaces version date:	
(r)	changes	date	na.			