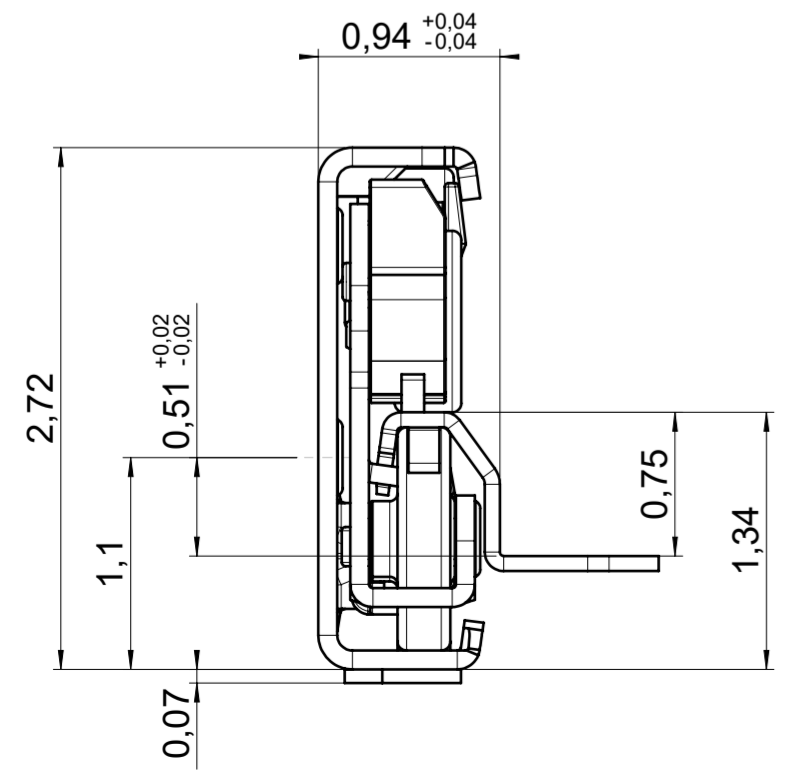
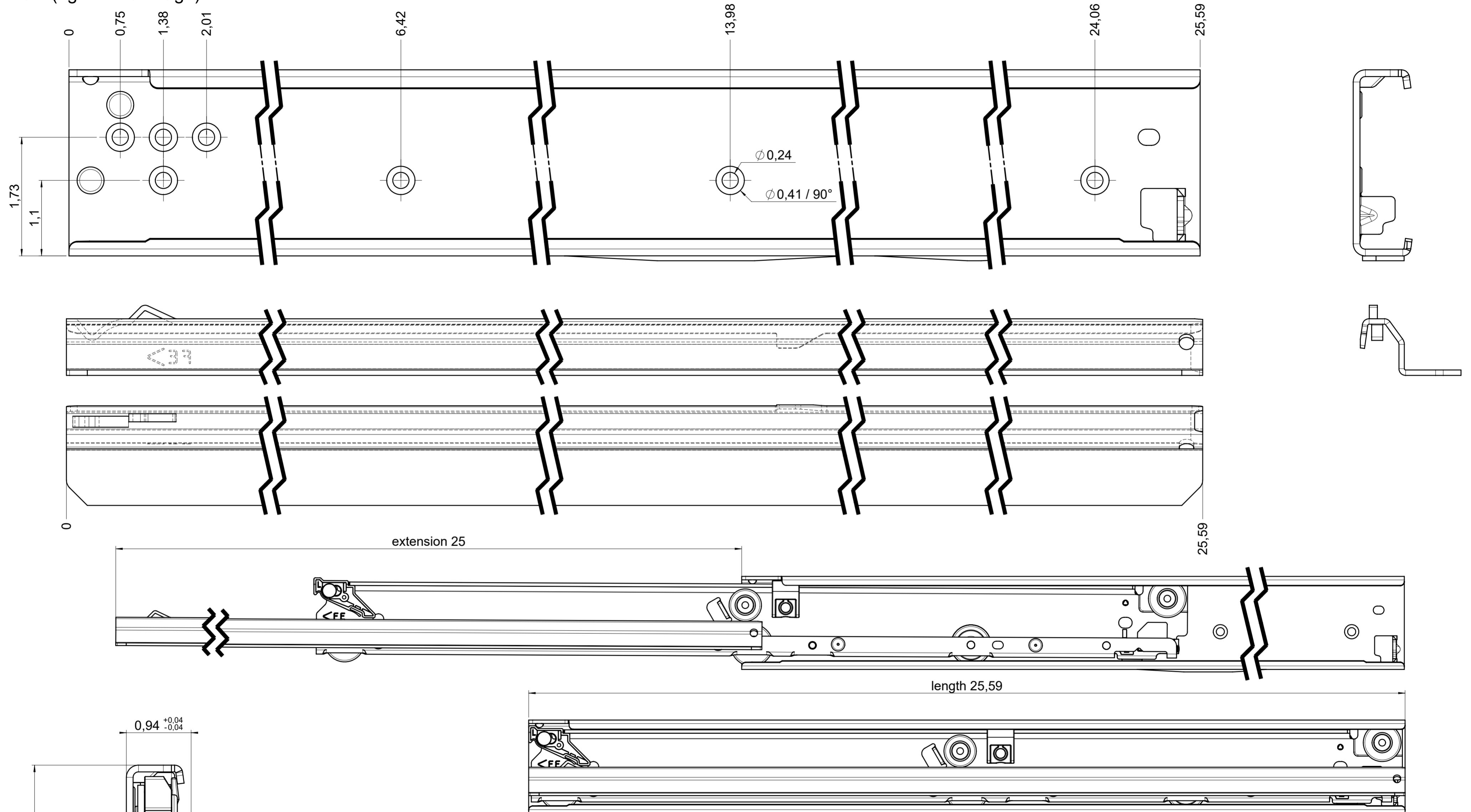


# CS# 7100.650-GAV.L095

drawn left (right mirrorimage)



**final approval**

customer name:

signed by:

date:

**all dimensions in inch**

DIN ISO 128-30  
missing dimensions see 3D  
= theor. intersection

|  |         |      |     |  |          |  |
|--|---------|------|-----|--|----------|--|
| This drawing remains our property and may not be multiplied neither be disclosed to third parties (§§1,3 and 5 from the copyright Act (UrhG)) covered according to DIN ISO 16016 |         |      |     | scale: 1:1                                       | surface: | material, semi finished parts: CS (technical requirements Fulterer)                                    |
| (k)  |         |      |     | date   | name     | description: FR 7100 / 65 CS EN (inch) progressive-action full-extension drawerslide / bottom mount HR |
| (l)  |         |      |     | drawn 14-12-2022                                 | BM       |  |
| (h)  |         |      |     | proven 00-00-0000                                | 00       |  |
| (g)  |         |      |     | <b>Fulterer</b>                                  |          |  |
| (f)  |         |      |     |  |          |  |
| (e)  |         |      |     | Fulterer AG & Co KG<br>A-6890 Lustenau / Austria |          | drawing number:<br><b>CS# 7100.650-GAV.L095</b>  |
| (d)  |         |      |     | Fulterer AG<br>CH-9430 St. Margrethen            |          |  |
| (c)  |         |      |     |  |          | replaces version date:   |
| (b)  |         |      |     |  |          |  |
| (a)  |         |      |     |  |          |  |
| ind.   | changes | date | na. |  |          |  |