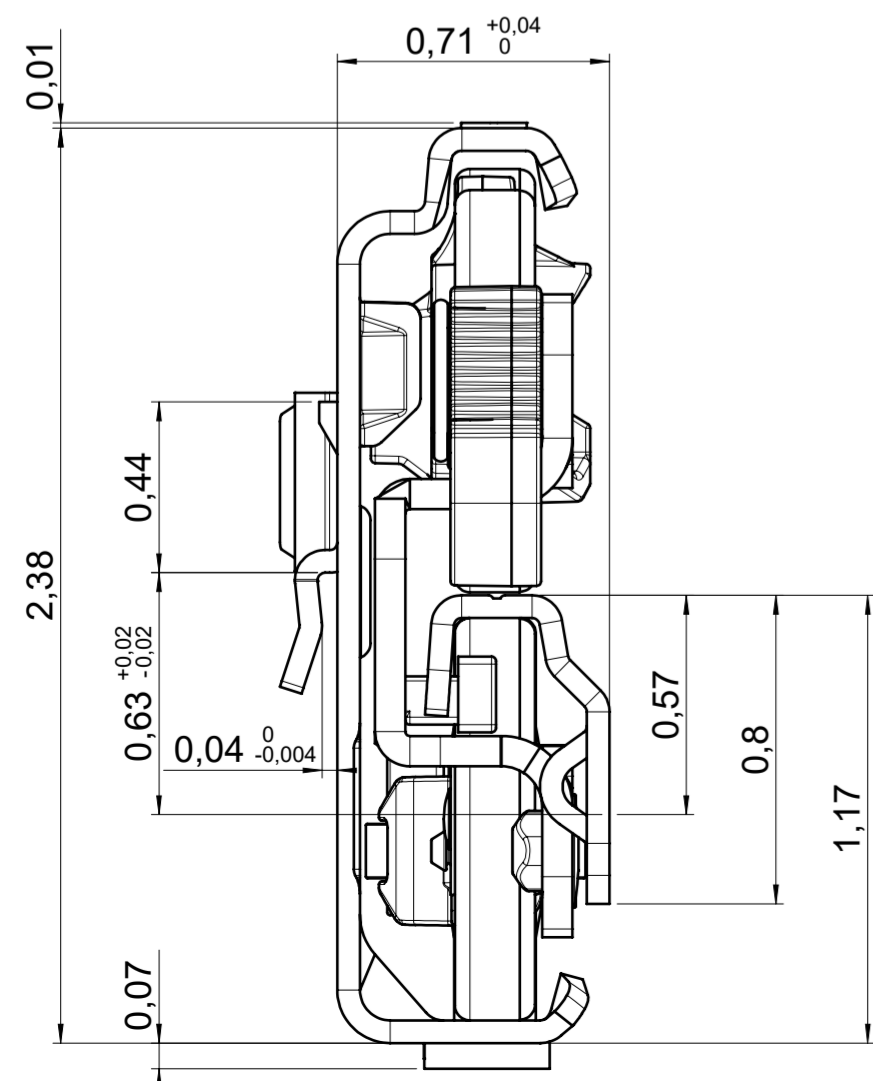
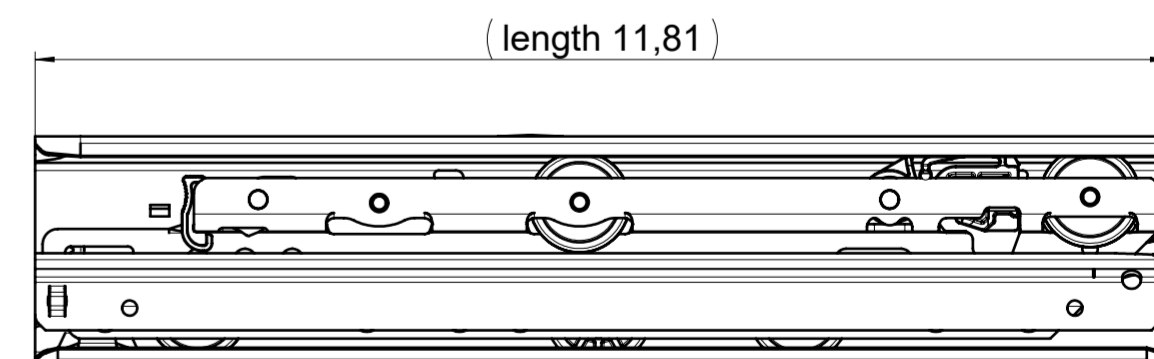
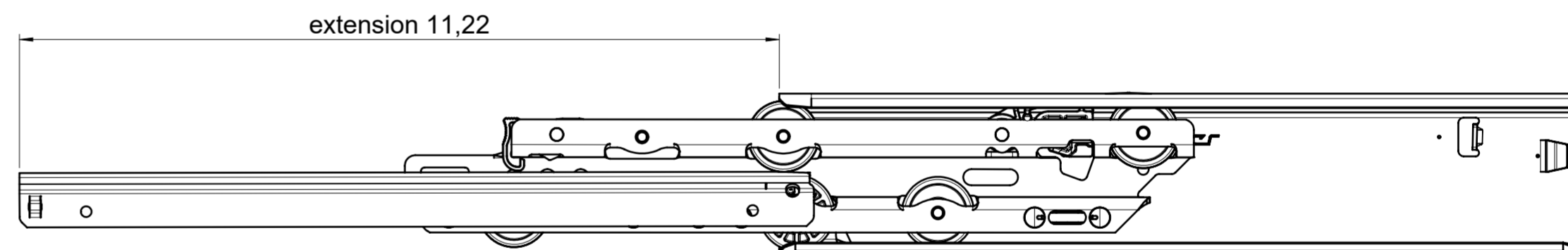
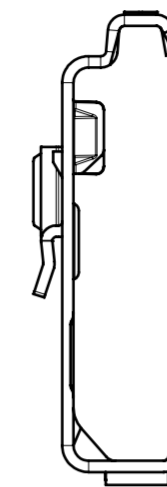
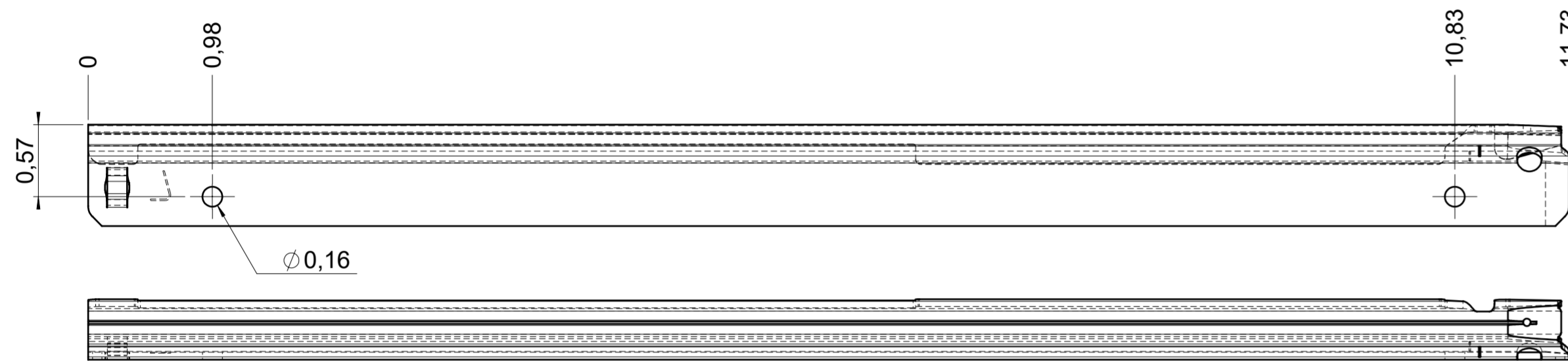
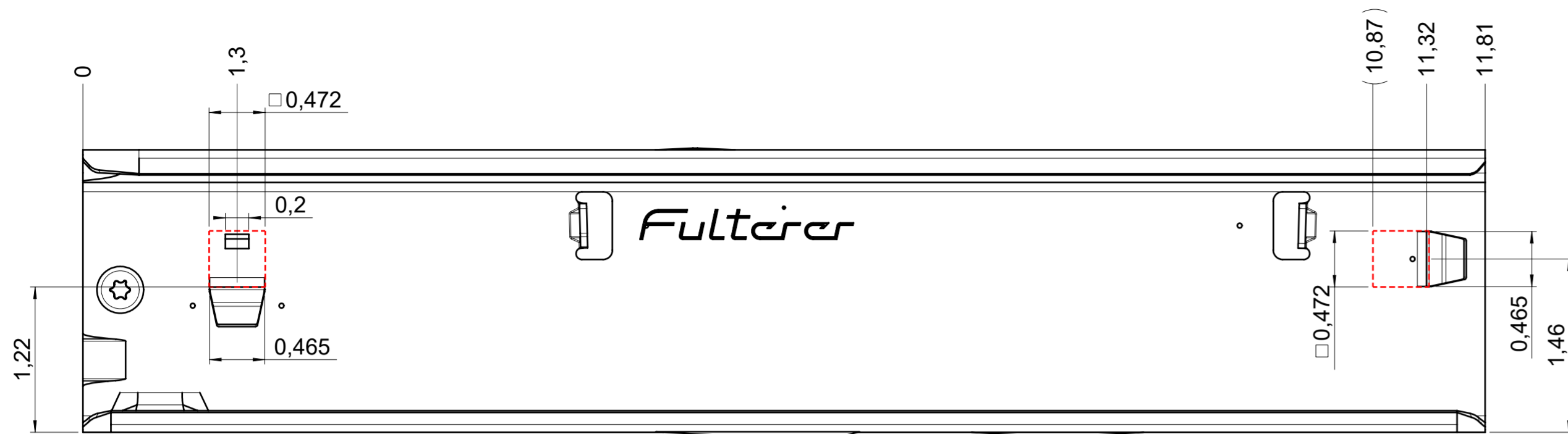


drawn on the left (mirrored on the right)



<b>final approval</b>	customer name:
	signed by:
	date:

all dimensions in inch			
missing dimensions see 3D ≠ = theor. intersection	scale: 1:1	surface/color:	material: CS (technical requirements Fulterer)
<b>prototype approval</b>		date	name
drawn	2024-01-12	RK	description: <b>FR 795-300 CS EN (inch)</b> progressive-action full-extension drawerslide / side mount
proven	2024-01-12	RK	
drawing number: <b>CS# 795.300-GA.L526</b>		replaces the edition:	
① PDM	2021-01-12	RK	drawing number: <b>CS# 795.300-GA.L526</b>
ind. changes	date	name	
Fulterer AG & Co KG A-6890 Lustenau			replaces the edition:
Fulterer AG CH-9430 St. Margrethen			
This drawing remains our property and may not be multiplied neither be disclosed to third parties (§§1.3 and 5 from the copyright Act (UrhG)).			covered according to DIN ISO 16016