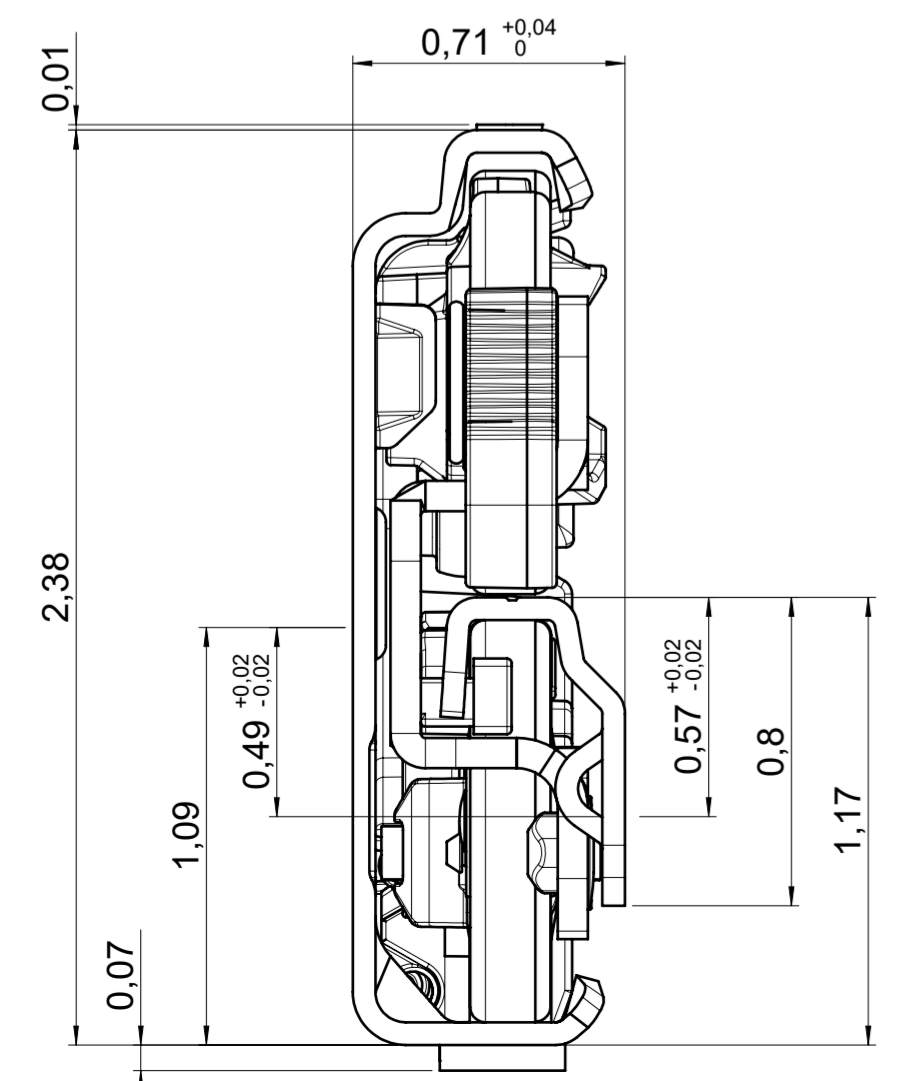
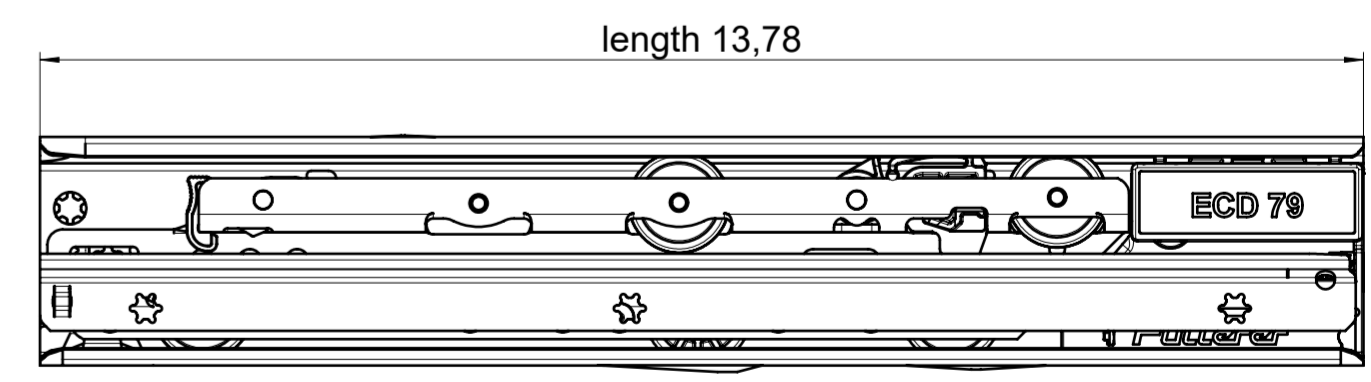
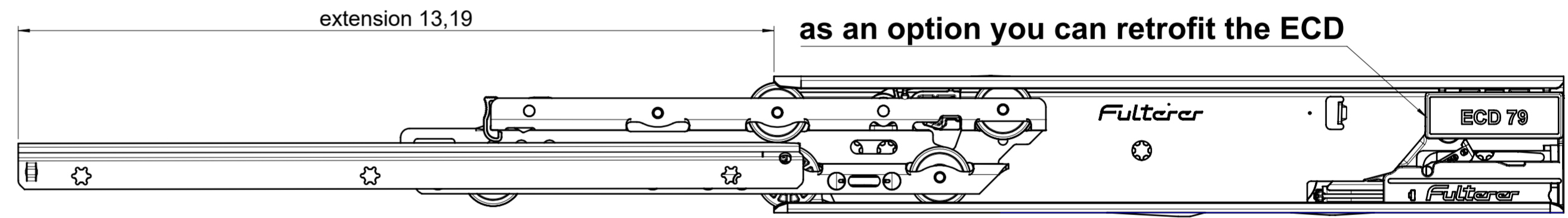
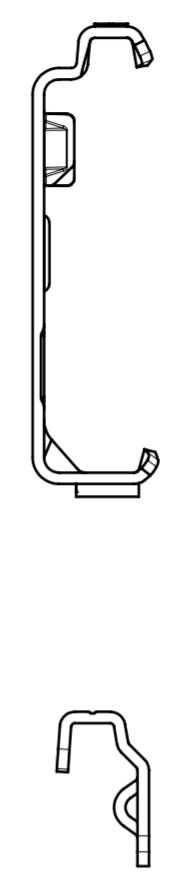
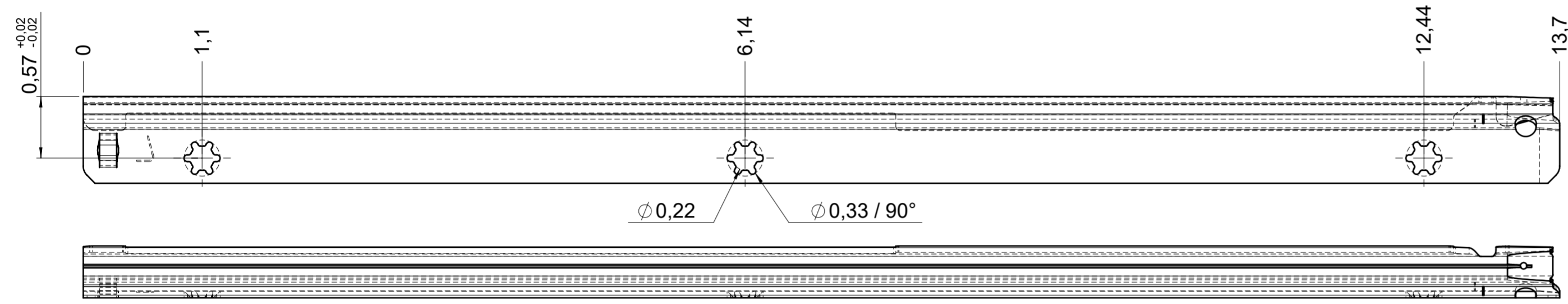
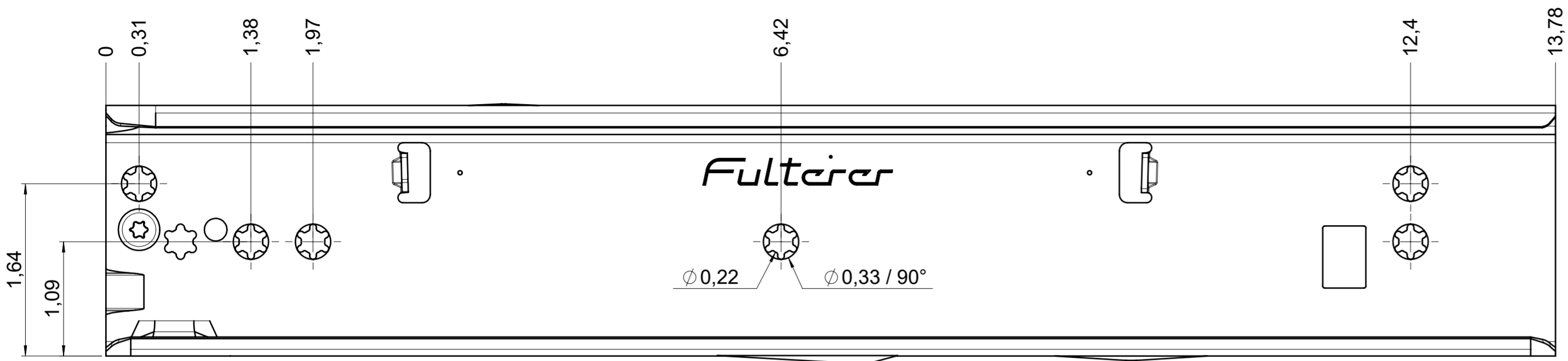


drawn on the left (mirrored on the right)



**final approval**

customer name:

signed by:

date:

all dimensions in inch					
missing dimensions see 3D = theor. intersection	DIN ISO 128-30	scale: <b>1:1</b>	surface/color:	material: <b>CS</b>	(technical requirements Fulterer)
<b>prototype approval</b>		drawn	date	name	description: <b>FR 795-350 CS EN (inch)</b> progressive-action full-extension drawerslide / side mount
		2022-11-24	EX		
		proven	2024-01-12	RK	drawing number: <b>CS# 795.350-GA.0000</b>
				replaces the edition:	
① PDM ind. changes		2023-10-04	RK	Fulterer AG & Co KG A-6890 Lustenau Fulterer AG CH-9430 St. Margrethen	
This drawing remains our property and may not be multiplied neither be disclosed to third parties (§§1.3 and 5 from the copyright Act (UrhG)).					
					covered according to DIN ISO 16016
					<b>A2</b>