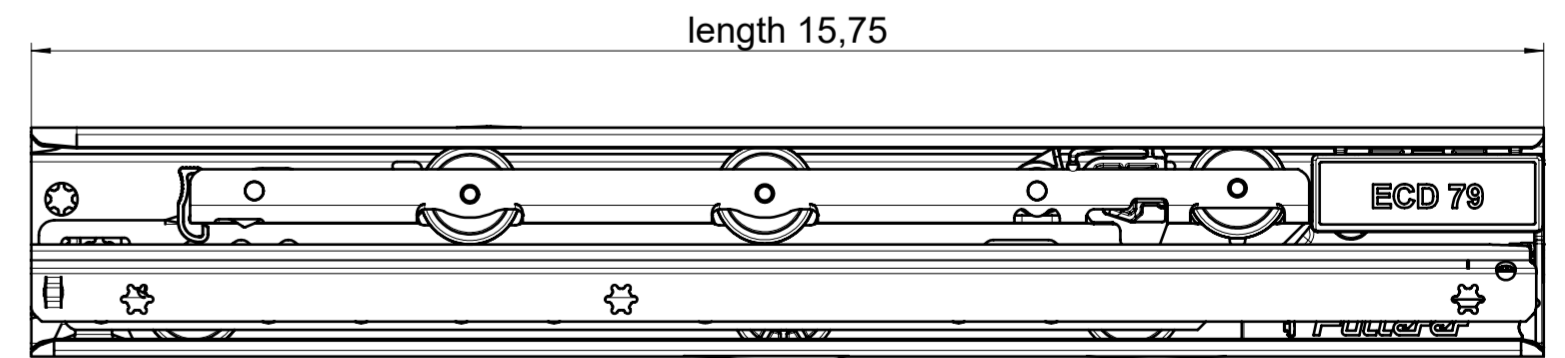
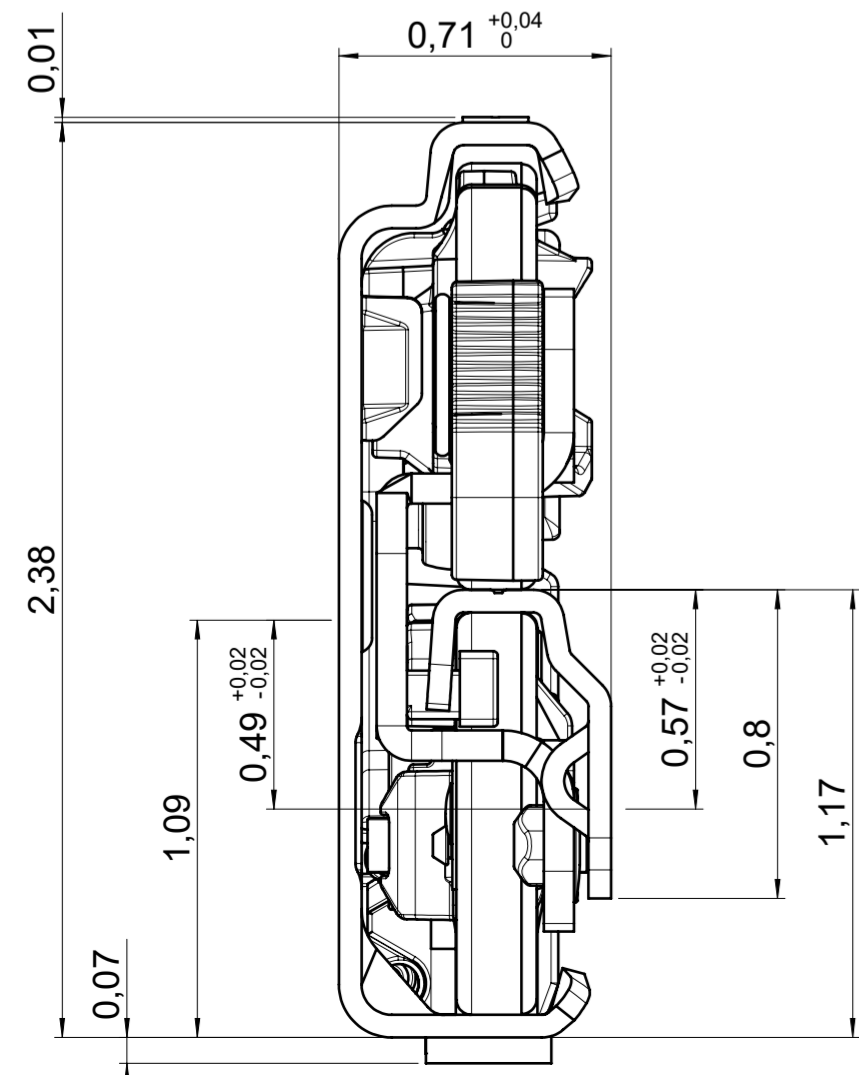
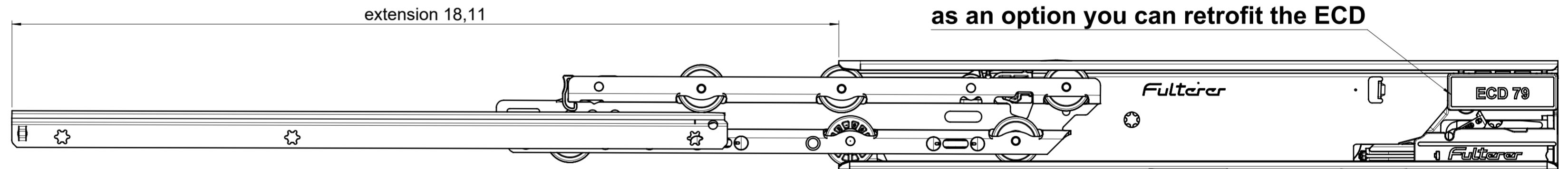
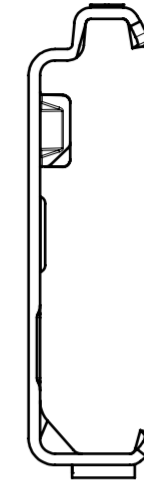
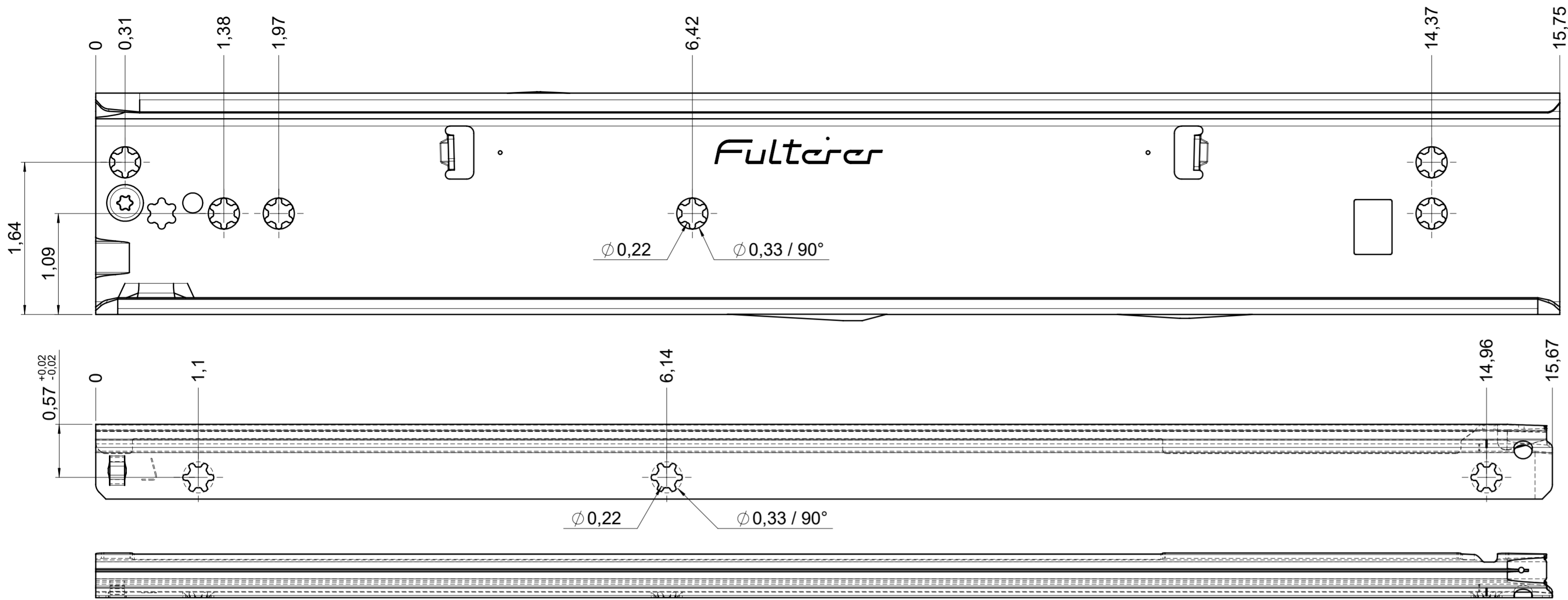


drawn on the left (mirrored on the right)



final approval	customer name:
	signed by:
	date:

all dimensions in inch					
missing dimensions see 3D = theor. intersection	DIN ISO 128-30	scale: 1:1	surface/color:	material: CS	(technical requirements Fulterer)
prototype approval		drawn	date	name	description: FR 795-400 CS EN (inch) progressive-action over-extension drawerslide / side mount
		proven	2024-01-12	RK	
ind. changes		date	name	drawing number: CS# 795.400-GA.L500	
Fulterer AG & Co KG A-6890 Lustenau Fulterer AG CH-9430 St. Margrethen				replaces the edition:	
This drawing remains our property and may not be multiplied neither be disclosed to third parties (§§1.3 and 5 from the copyright Act (UrhG)).					covered according to DIN ISO 16016