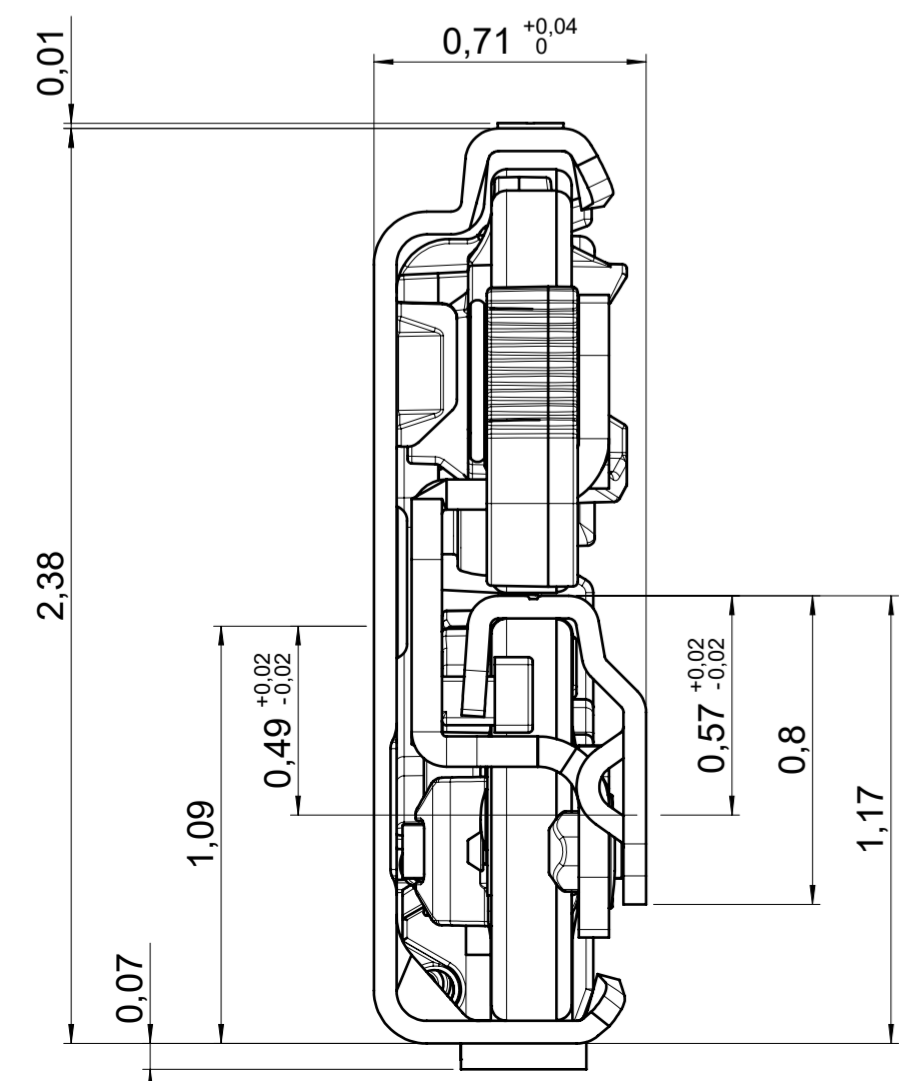
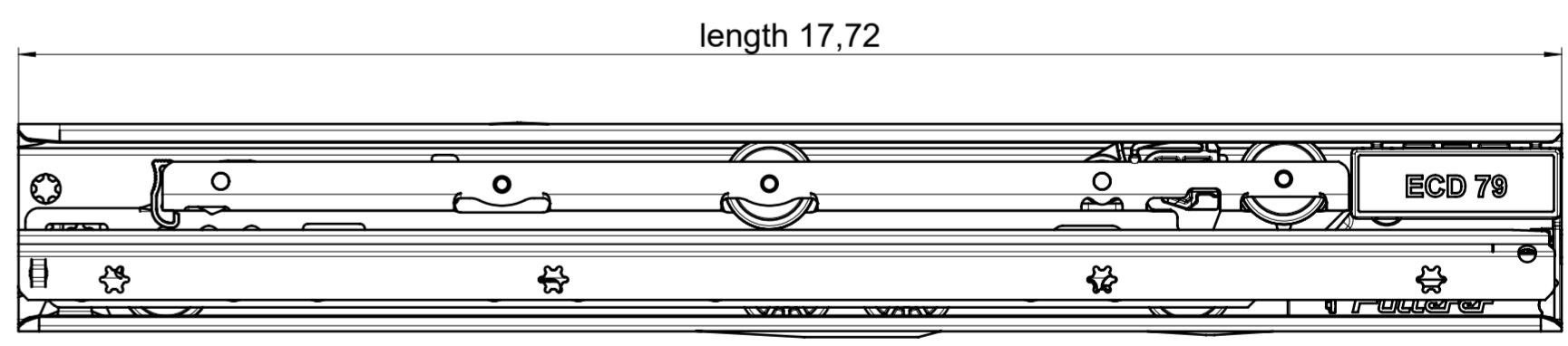
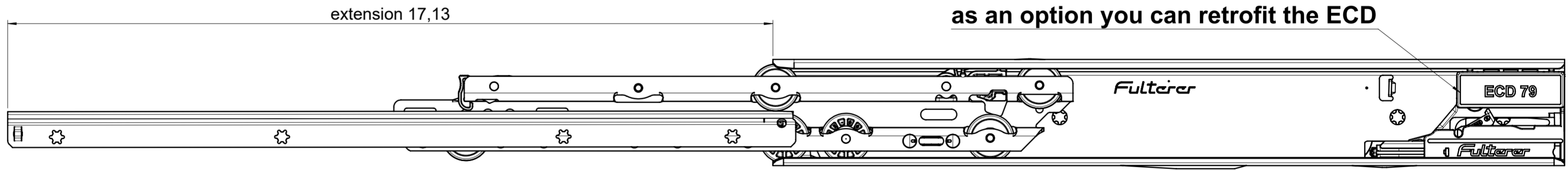
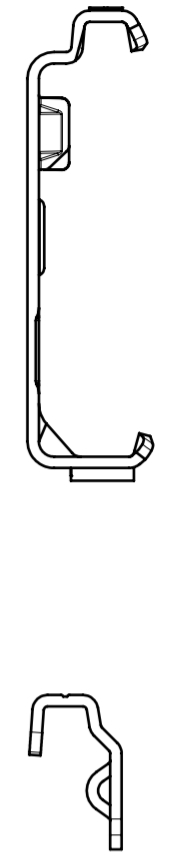
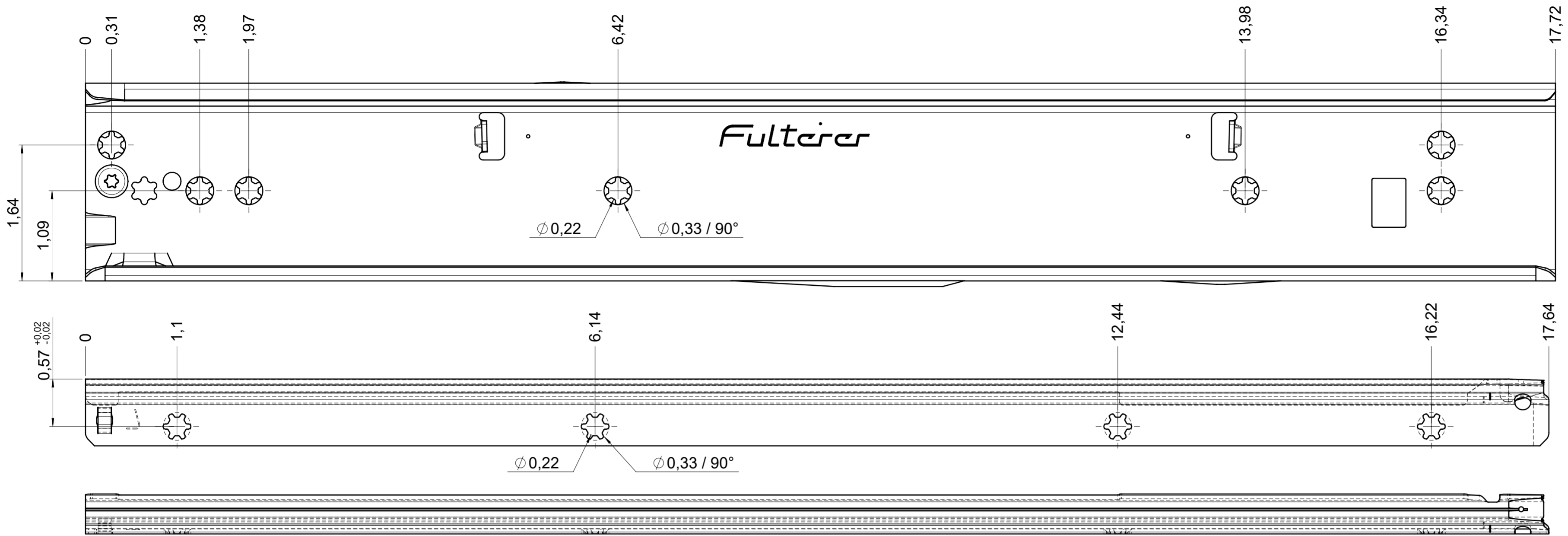


drawn on the left (mirrored on the right)



final approval

customer name:

signed by:

date:

all dimensions in inch			
missing dimensions see 3D = theor. intersection	scale: 1:1	surface/color:	material: CS (technical requirements Fulterer)
prototype approval	drawn: 2023-04-19 FM	date: 2023-04-19	description: FR 795-450 CS EN (inch) progressive-action full-extension drawerslide / side mount
	proven: 2024-01-12 RK	date: 2024-01-12	
		drawing number: CS# 795.450-GA.0000	
Fulterer AG & Co KG A-6890 Lustenau Fulterer AG CH-9430 St. Margrethen		replaces the edition:	
This drawing remains our property and may not be multiplied neither be disclosed to third parties (§§1.3 and 5 from the copyright Act (UrHG)).			covered according to DIN ISO 16016