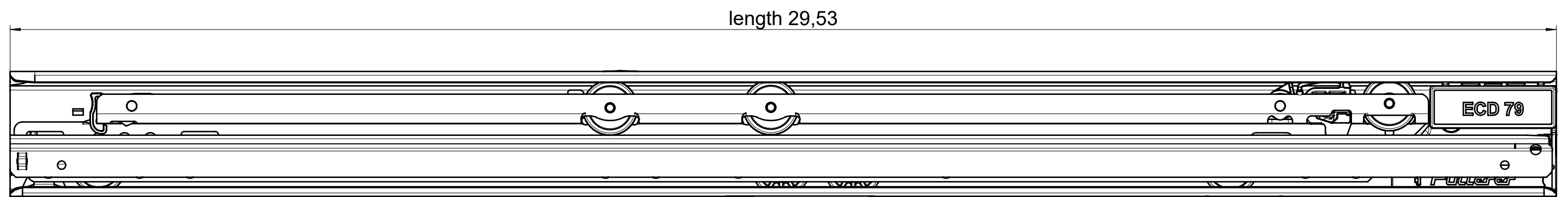
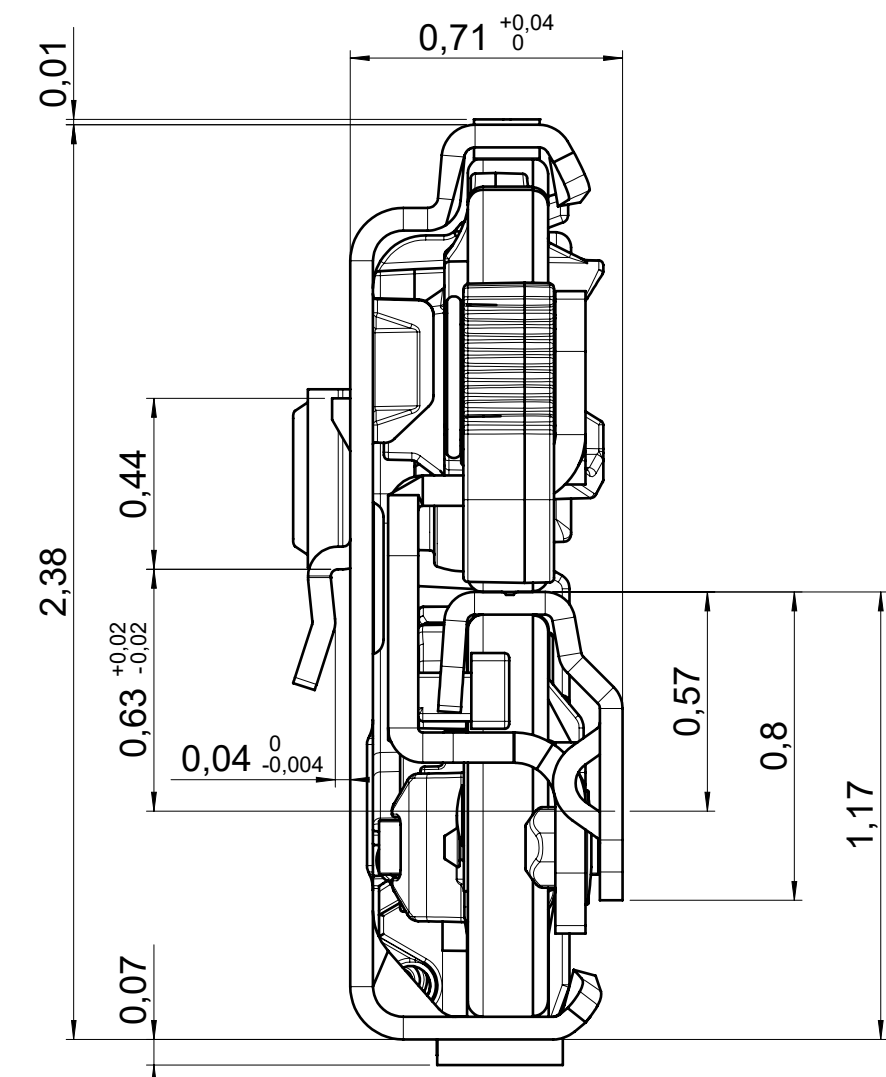
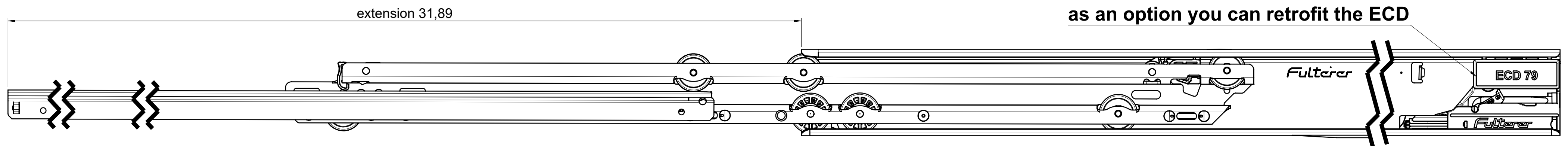
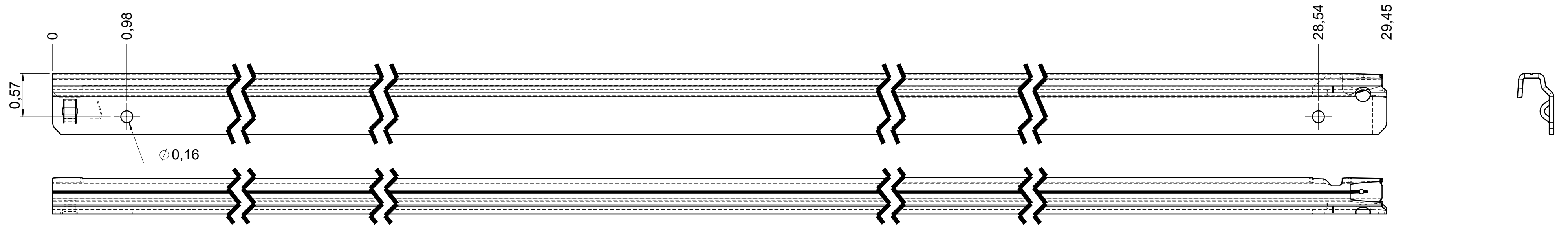
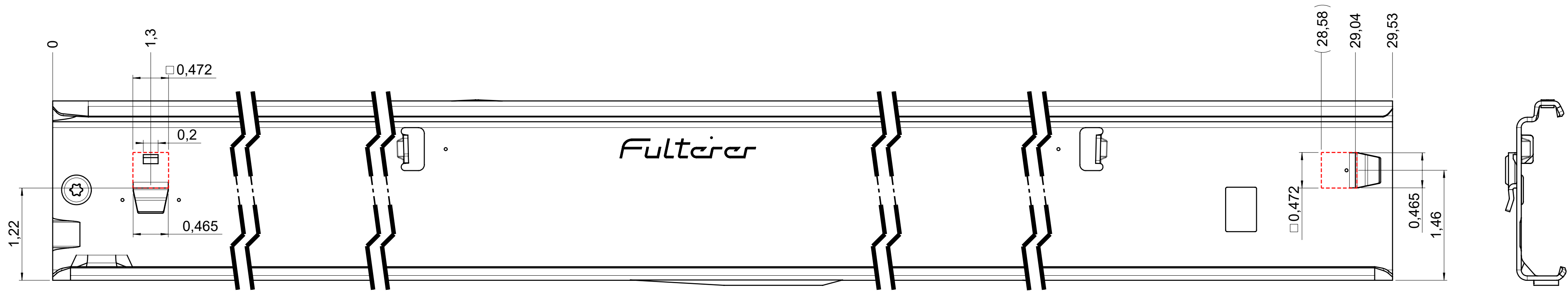


drawn on the left (mirrored on the right)



final approval

customer name:

signed by:

date:

| all dimensions in inch | | | |
|------------------------------------------------------------------------------------------------------------------------------------------------|-----------------------------------------------------------------------------------------------------------------|------------------|---------------------------------------------------|
| missing dimensions see 3D = theor. intersection | scale: 1:1 | surface/color: | material: CS (technical requirements Fulterer) |
| prototype approval | drawn: 2023-12-20 RK | date: 2024-01-12 | name: RK |
| | description: FR 795-750 CS EN (inch) progressive-action over-extension drawerslide / side mount | | |
| | drawing number: CS# 795.750-GA.L525 | | |
| | replaces the edition: | | |
| ① PDM | 2023-12-20 | RK | Fulterer AG & Co KG A-6890 Lustenau |
| ind. changes | date | name | Fulterer AG CH-9430 St. Margrethen |
| This drawing remains our property and may not be multiplied neither be disclosed to third parties (§§1.3 and 5 from the copyright Act (UrHG)). | | | covered according to DIN ISO 16016 |