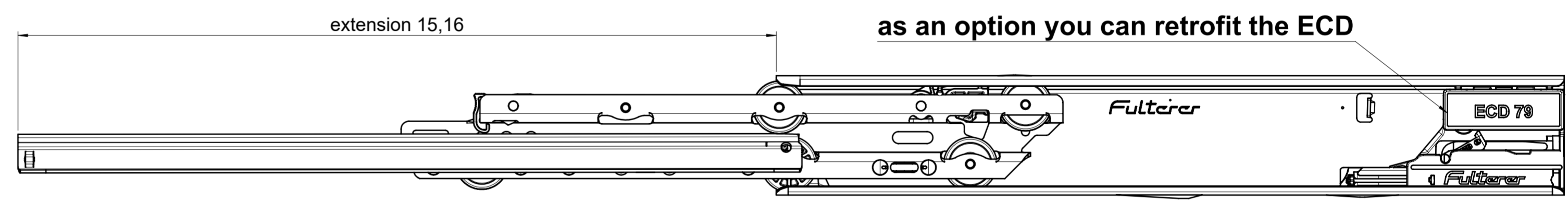
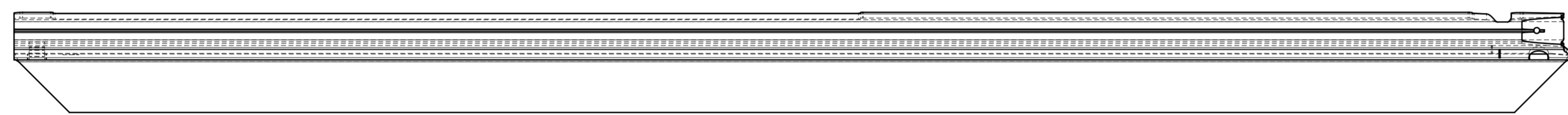
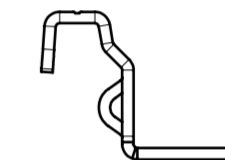
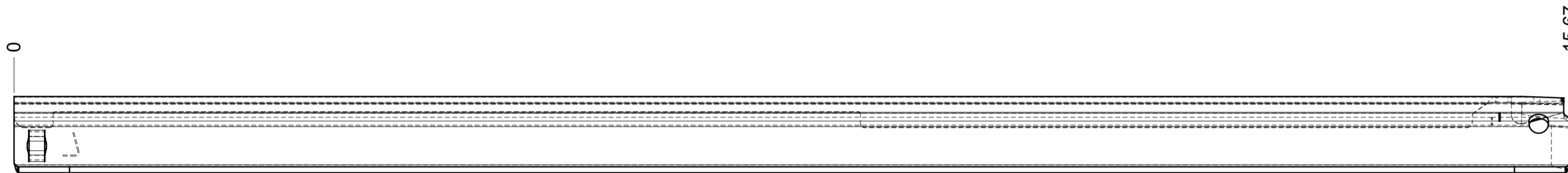
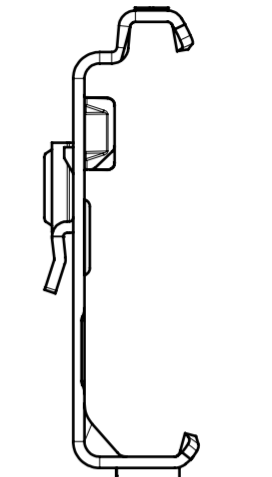
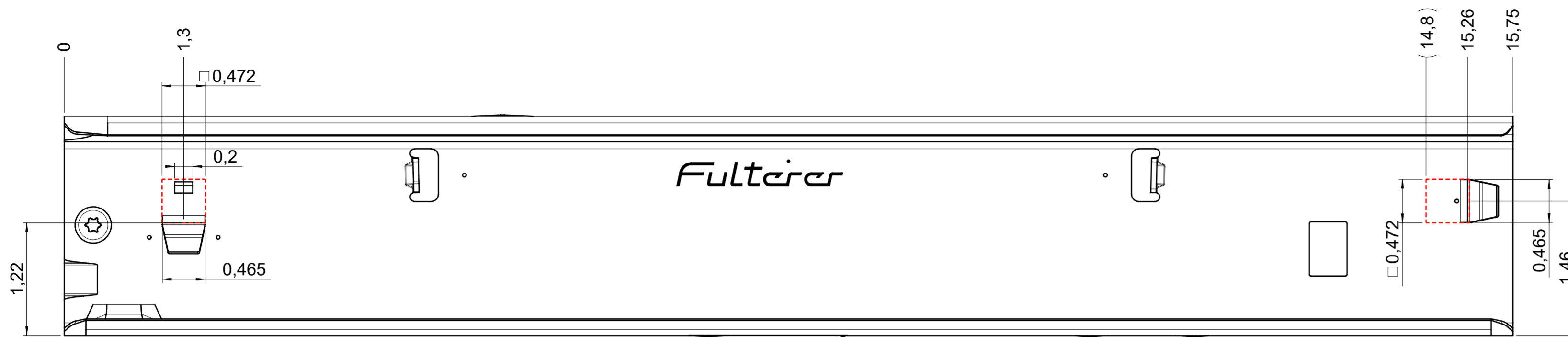
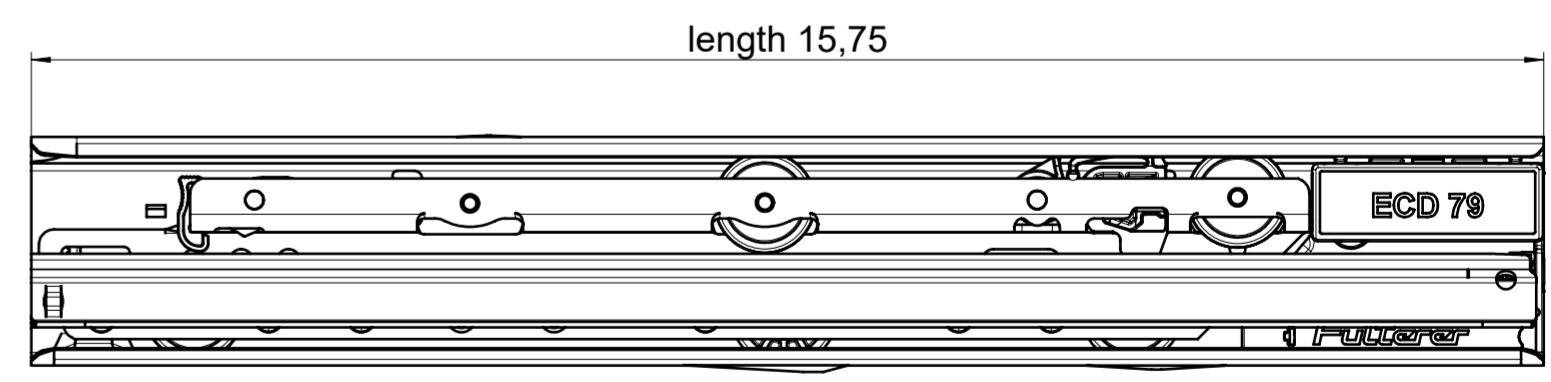
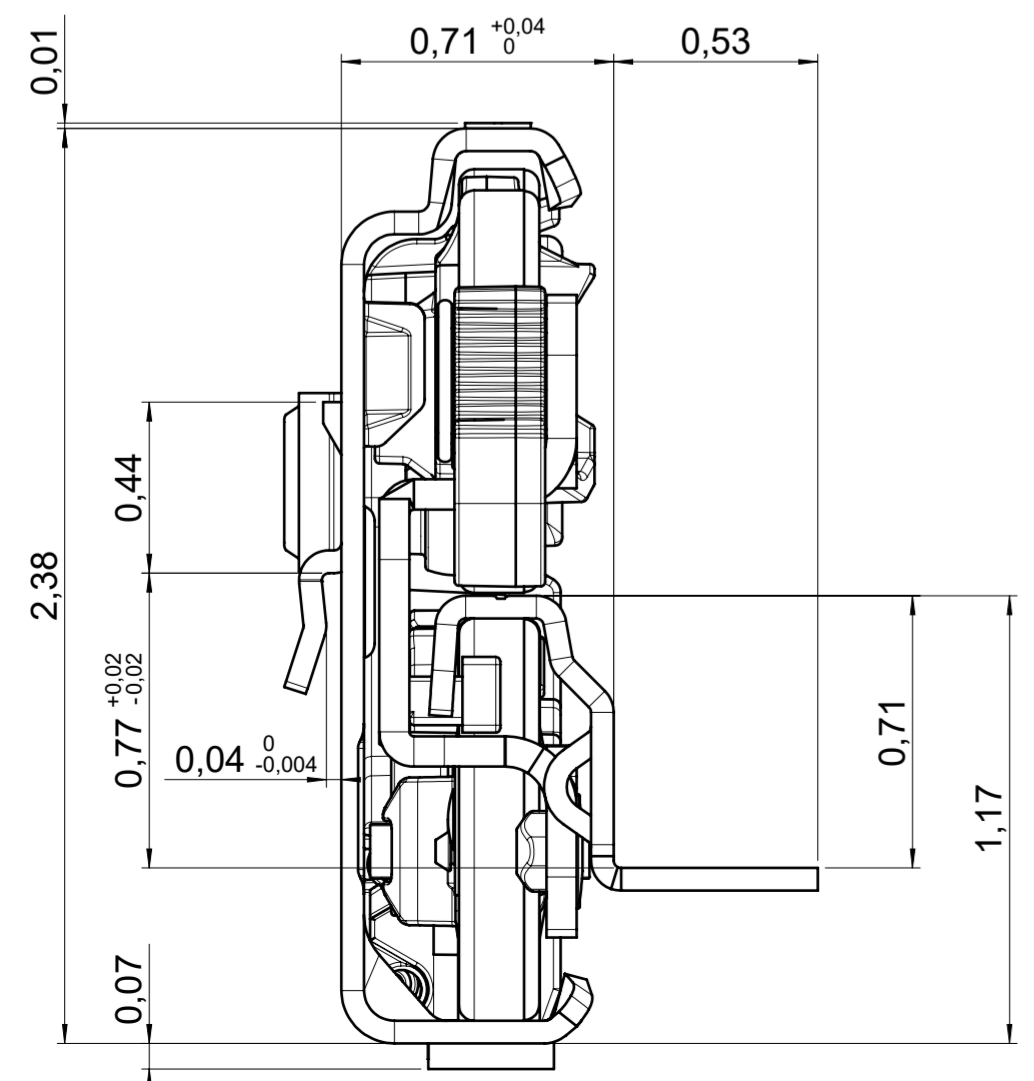


drawn on the left (mirrored on the right)



as an option you can retrofit the ECD




**final approval**

customer name:

signed by:

date:

all dimensions in inch			
missing dimensions see 3D ☉ = theor. intersection	scale: 1:1	surface/color:	material: CS (technical requirements Fulterer)
<b>prototype approval</b>	drawn: 2024-01-16 RK	date: 2024-01-16	name: RK
	proven: 2024-01-16 RK		
 Fulterer AG & Co KG A-6890 Lustenau Fulterer AG CH-9430 St. Margrethen			description: <b>FR 796-400 CS EN (inch)</b> progressive-action full-extension drawerslide / bottom mount drawing number: <b>CS# 796.400-GA.L526</b> replaces the edition:
ind. changes	date	name	