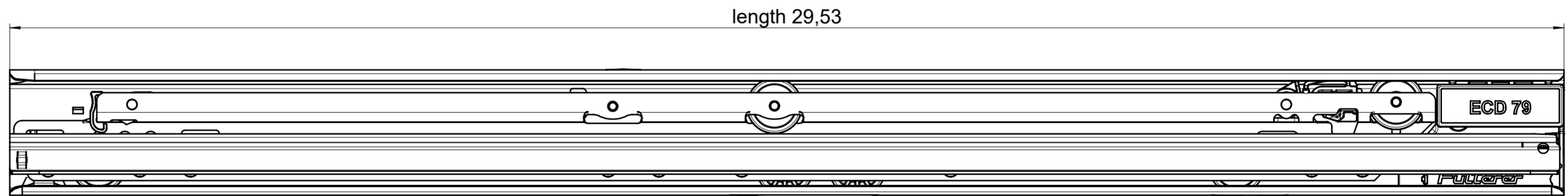
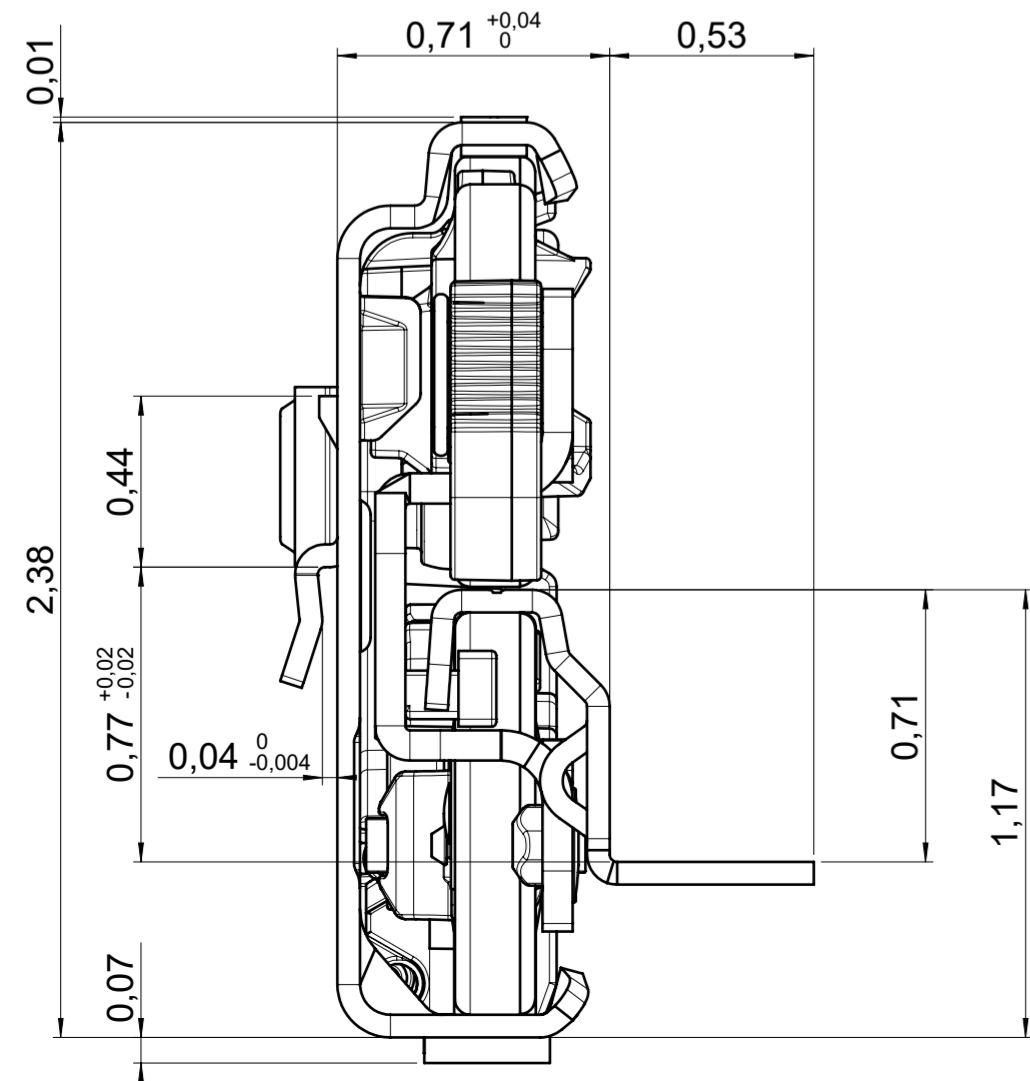
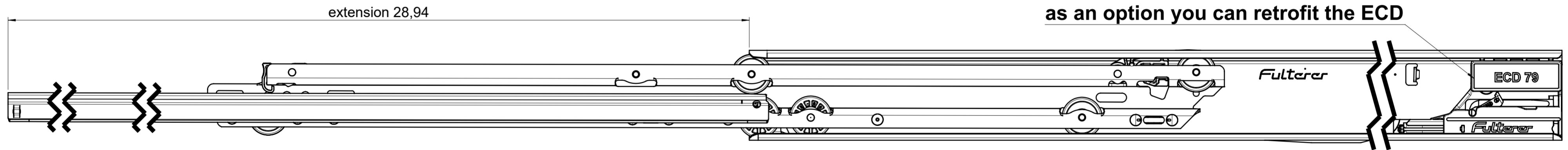
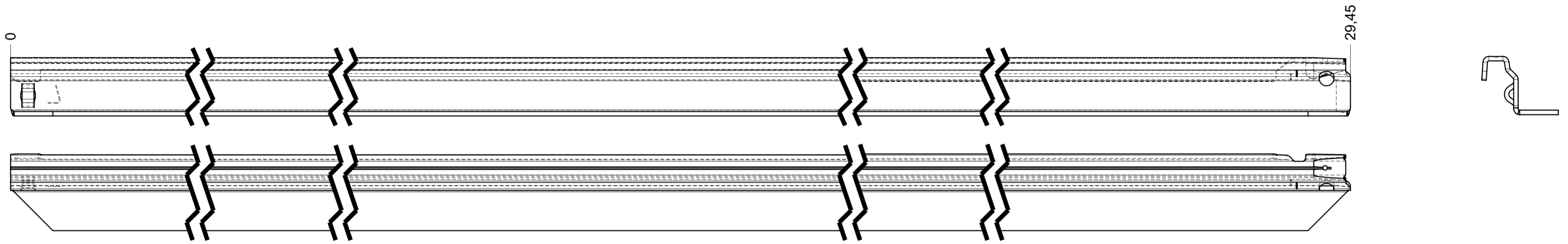
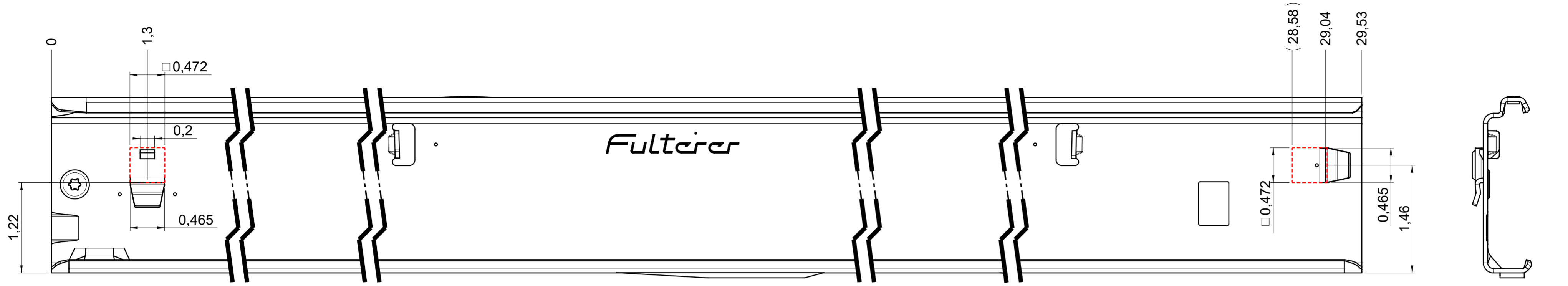


drawn on the left (mirrored on the right)



final approval

customer name:

signed by:

date:

all dimensions in inch					
missing dimensions see 3D = theor. intersection	scale: 1:1	surface/color:	material: (technical requirements Fulterer) CS		
prototype approval	drawn	date	name	description:	
	2024-01-16	RK	RK	FR 796-750 CS EN (inch)	
	proven	2024-01-16	RK	progressive-action full-extension drawerslide / bottom mount	
	Fulterer			drawing number:	
	Fulterer AG & Co KG A-6890 Lustenau			CS# 796.750-GA.L526	
	Fulterer AG CH-9430 St. Margrethen			replaces the edition:	
ind. changes	date	name			