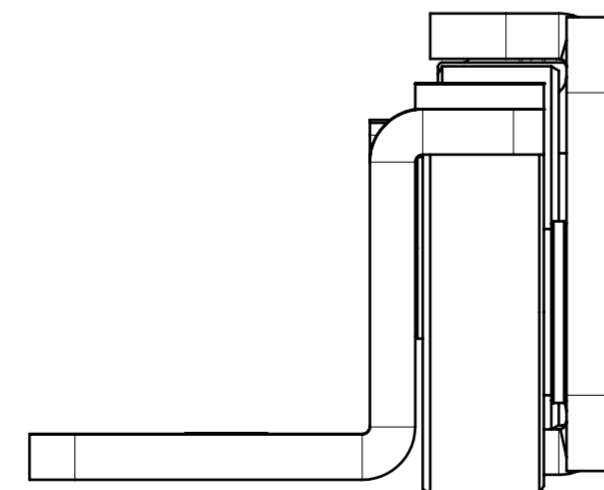
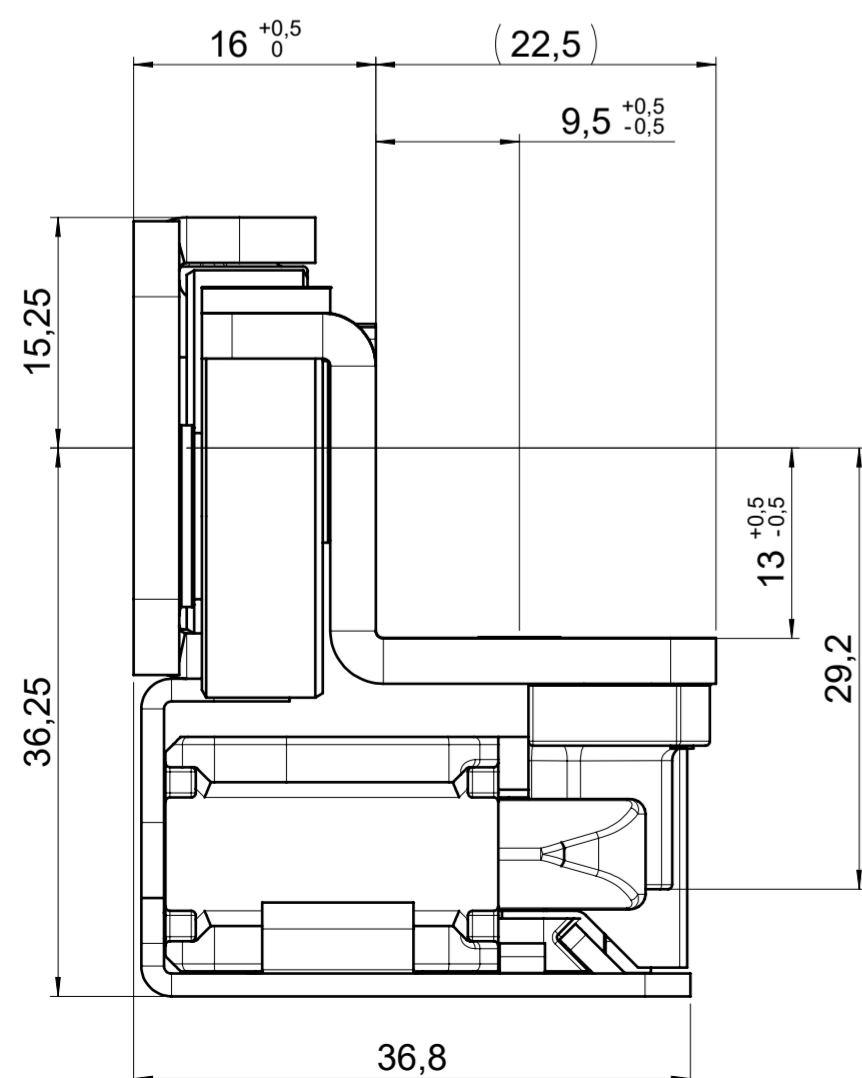
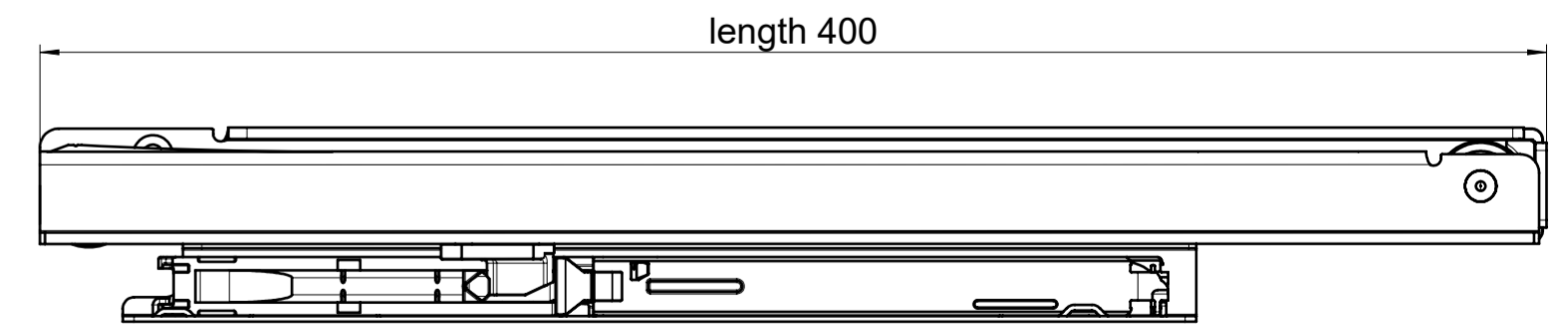
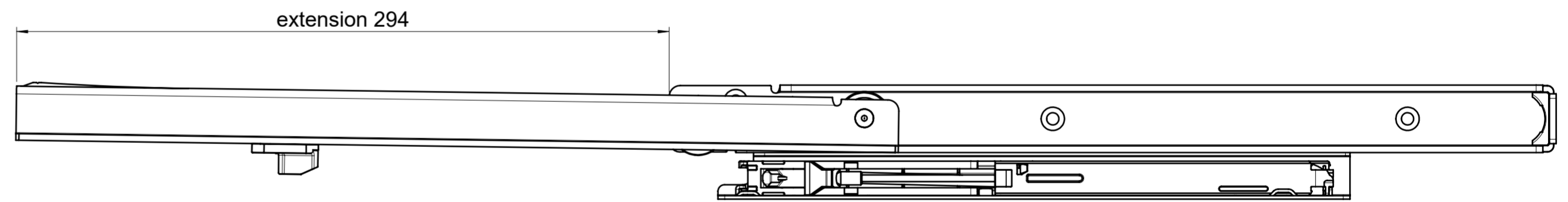
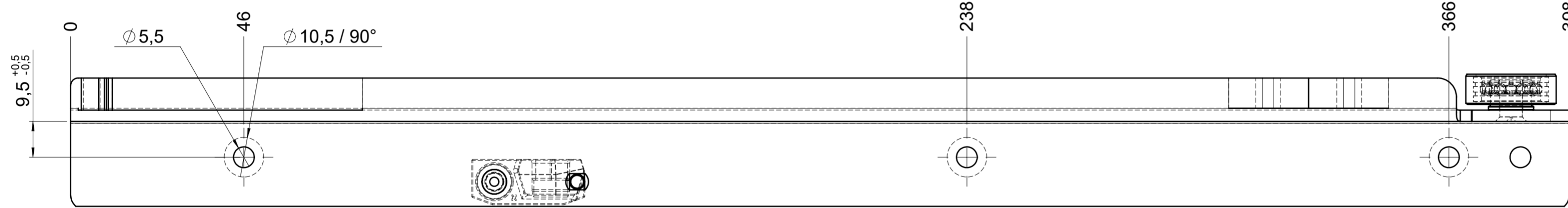
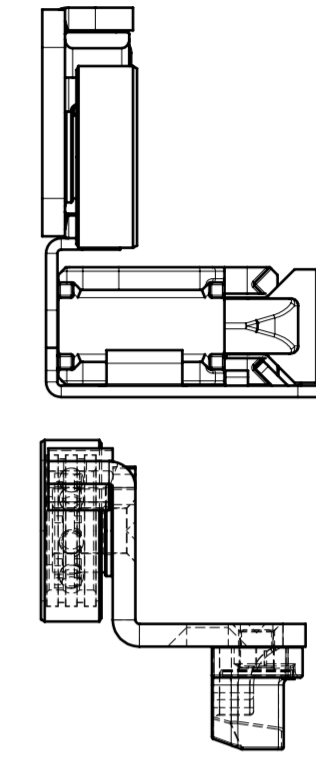
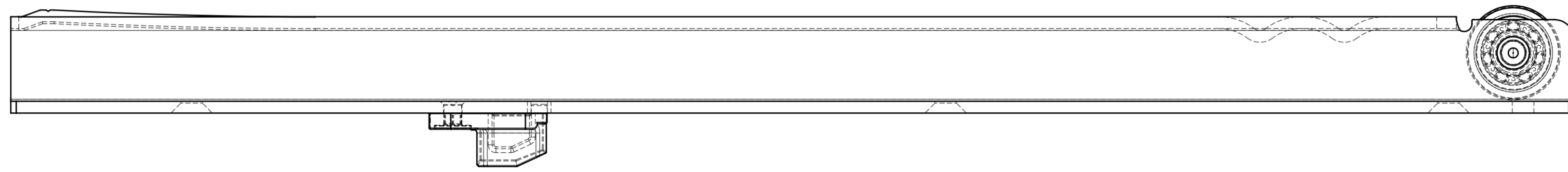
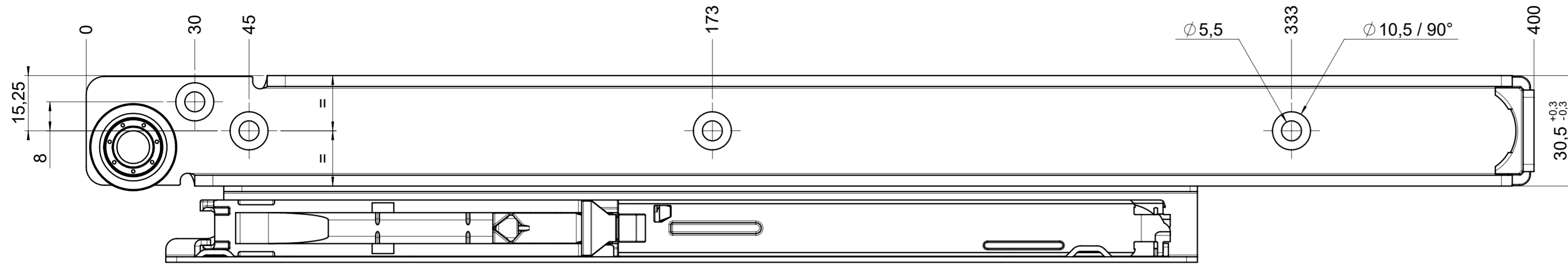


drawn left (right mirrorimage)



right without ECD

left with ECD

final approval

customer name:

signed by:

date:

all dimensions in mm

DIN ISO 128-30
missing dimensions see 3D
= theor. intersection

This drawing remains our property and may not be multiplied neither be disclosed to third parties (§§1,3 and 5 from the copyright Act (UrhG)) covered according to DIN ISO 16016

(k) (l) (m) (n) (o) (p) (q) (r) (s) (t) (u) (v) (w) (x) (y) (z)	scale:	1:1	surface:	material, semi finished parts:	A2
	drawn	01-05-2023	date	name	STEEL
	proven	08-05-2023	date	name	(technical requirements Fulterer)
	description: FR 206 / 400 EN (mm) regular-extension drawerside / bottom mount				
Fulterer AG & Co KG A-6890 Lustenau / Austria Fulterer AG CH-9430 St. Margrethen				drawing number: 206.400-GA.L529 replaces version date:	
ind.	changes	date	na.		