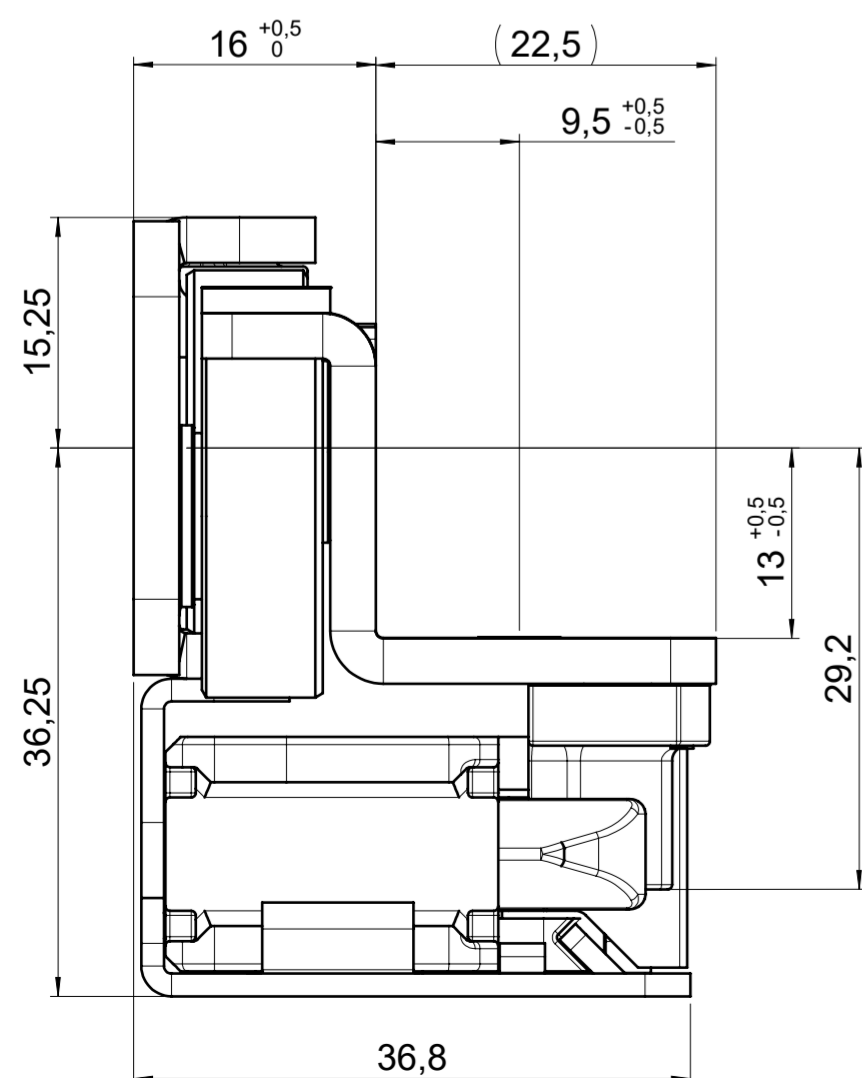
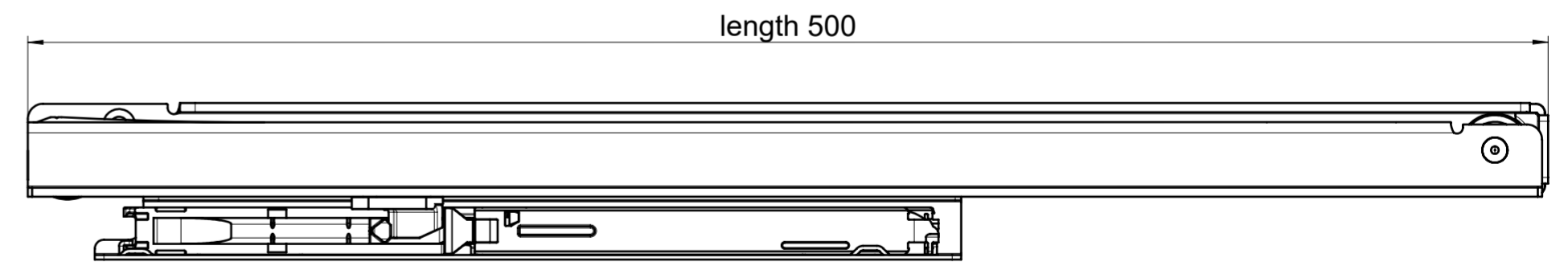
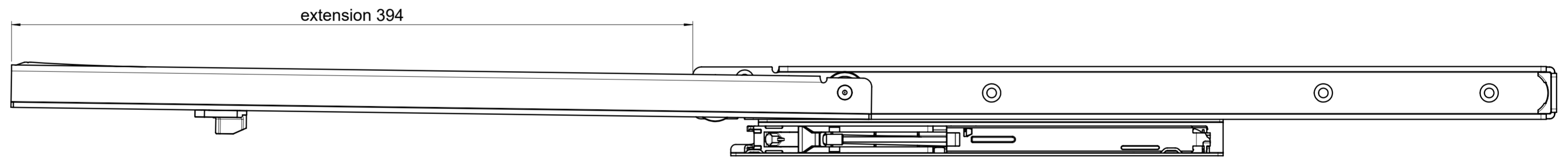
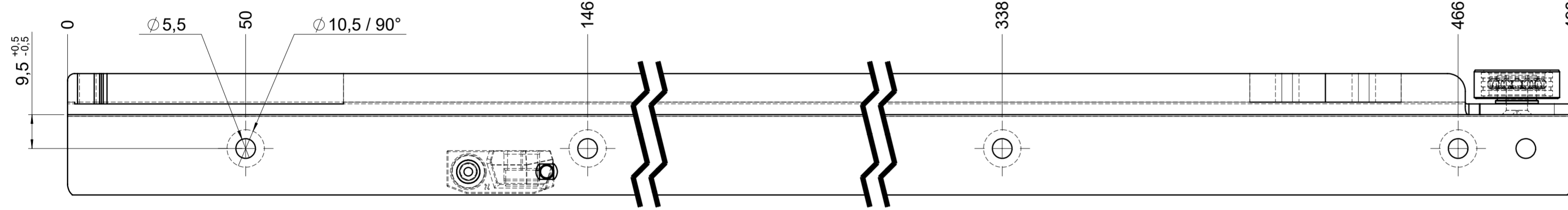
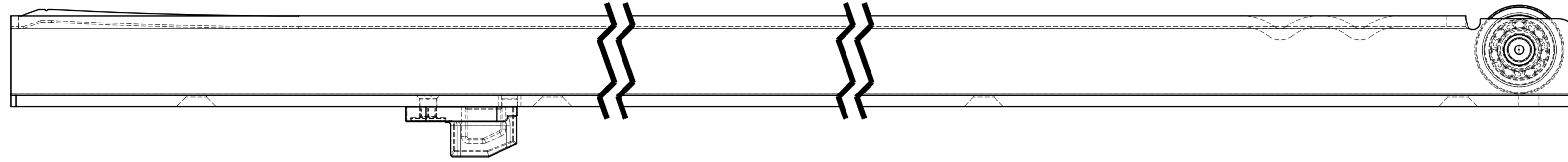
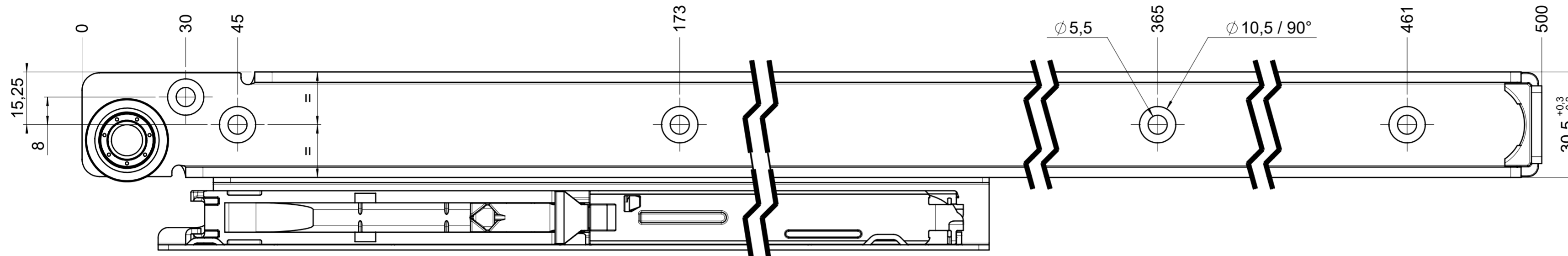
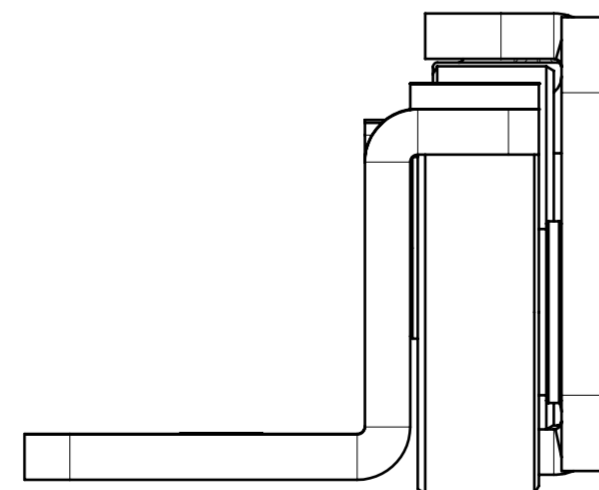


drawn left (right mirrorimage)



left with ECD



right without ECD

**final approval**

customer name:

signed by:

date:

**all dimensions in mm**

DIN ISO 128-30  
missing dimensions see 3D  
= theor. intersection

This drawing remains our property and may not be multiplied neither be disclosed to third parties (§§1,3 and 5 from the copyright Act (UrhG)) covered according to DIN ISO 16016				scale: 1:1	surface:	material, semi finished parts: STEEL (technical requirements Fulterer)	A2
(k)				date	name	description: FR 206 / 500 EN (mm) regular-extension drawerslide / bottom mount	drawing number: <b>206.500-GA.L529</b> replaces version date:
(l)			drawn 01-05-2023	ex			
(m)			proven 08-05-2023	pr			
(n)			<b>Fulterer</b>		Fulterer AG & Co KG A-6890 Lustenau / Austria Fulterer AG CH-9430 St. Margrethen		
(o)							
(p)							
(q)							
(r)							
(s)			changes	date	na.		