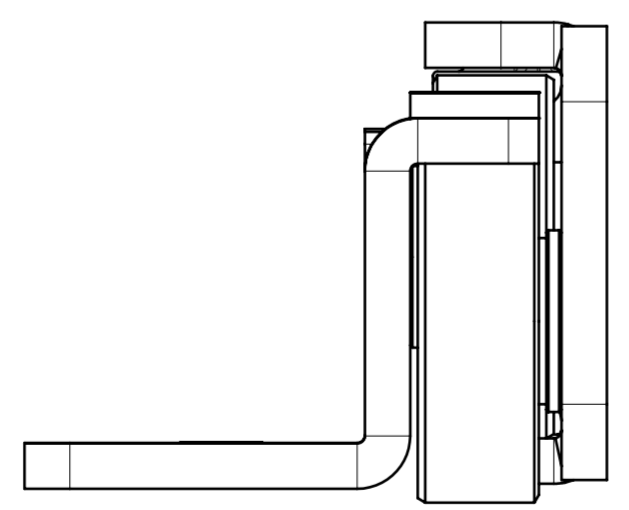
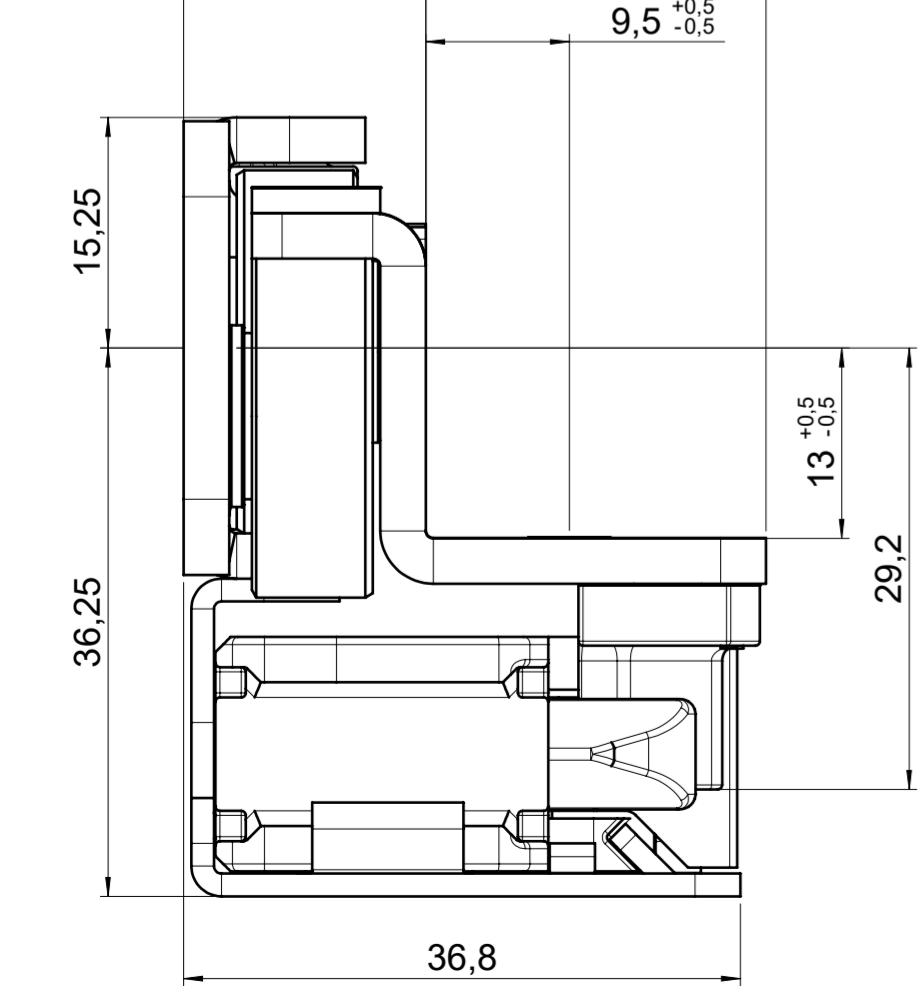
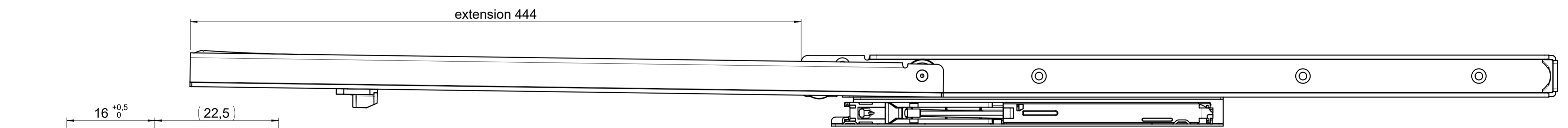
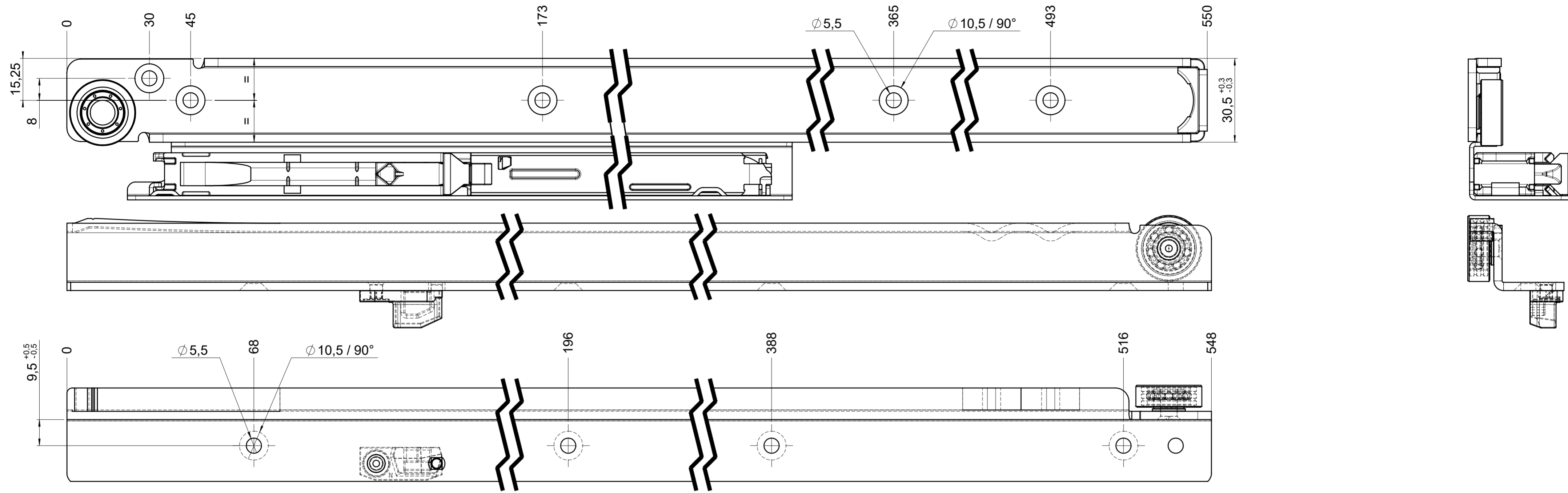


drawn left (right mirrorimage)



right without ECD

left with ECD

final approval

customer name:

signed by:

date:

all dimensions in mm				DIN ISO 128-30 missing dimensions see 3D = theor. intersection	
This drawing remains our property and may not be multiplied neither be disclosed to third parties (§§1,3 and 5 from the copyright Act (UrhG)) covered according to DIN ISO 16016					
(k) (l) (m) (n) (o) (p) (q) (r) (s) (t) (u)	scale:	1:1	surface:	material, semi finished parts: STEEL (technical requirements Fulterer)	
	drawn	01-05-2023	date	name	ex
	proven	08-05-2023	date	name	pr
Fulterer Fulterer AG & Co KG A-6890 Lustenau / Austria Fulterer AG CH-9430 St. Margrethen				description: FR 206 / 550 EN (mm) regular-extension drawerside / bottom mount	
drawing number:				206.550-GA.L529	
replaces version date:					
ind.	changes	date	na.		