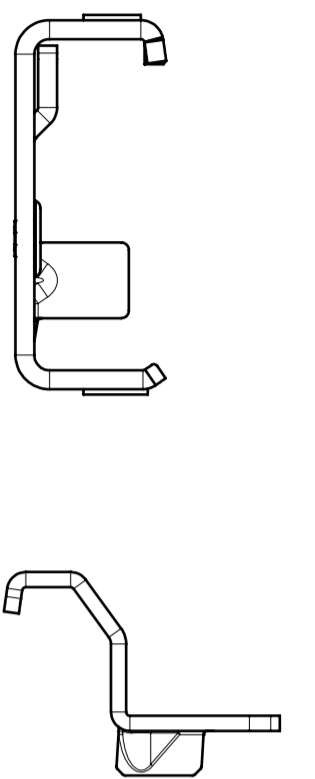
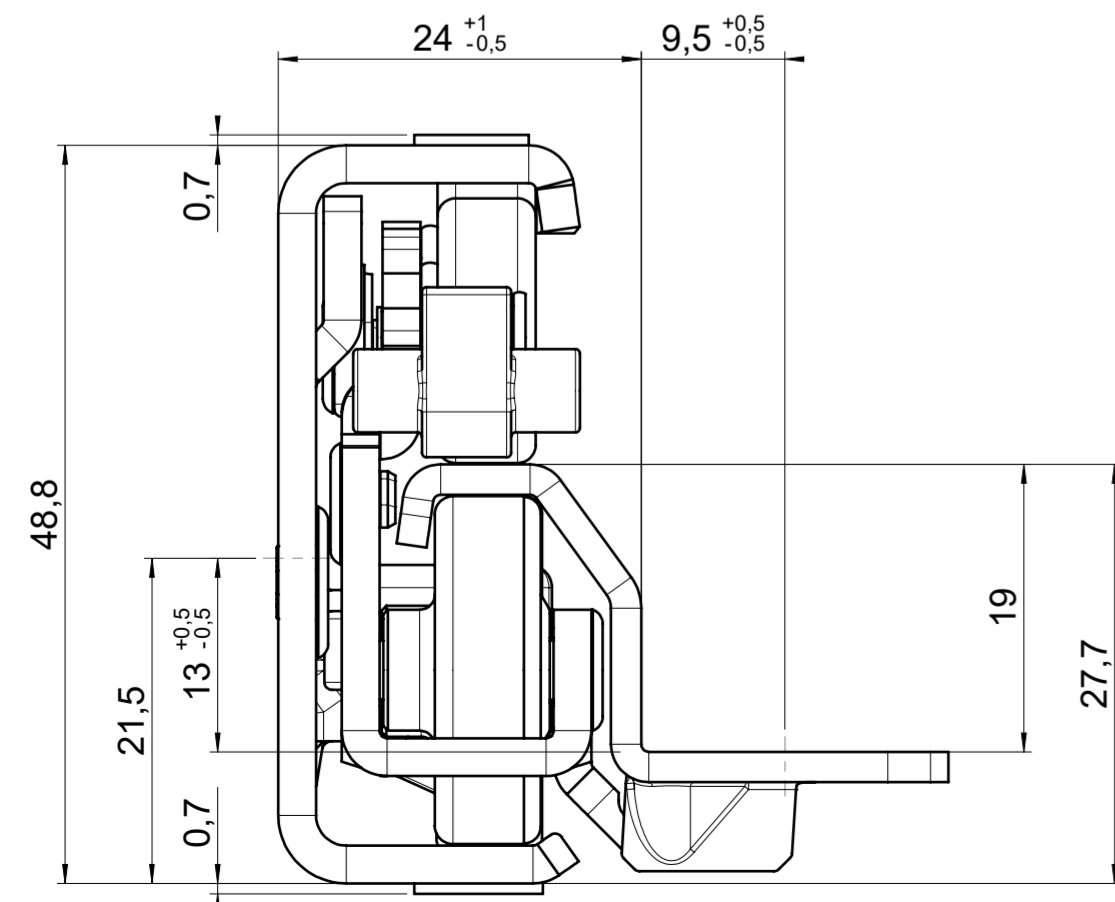
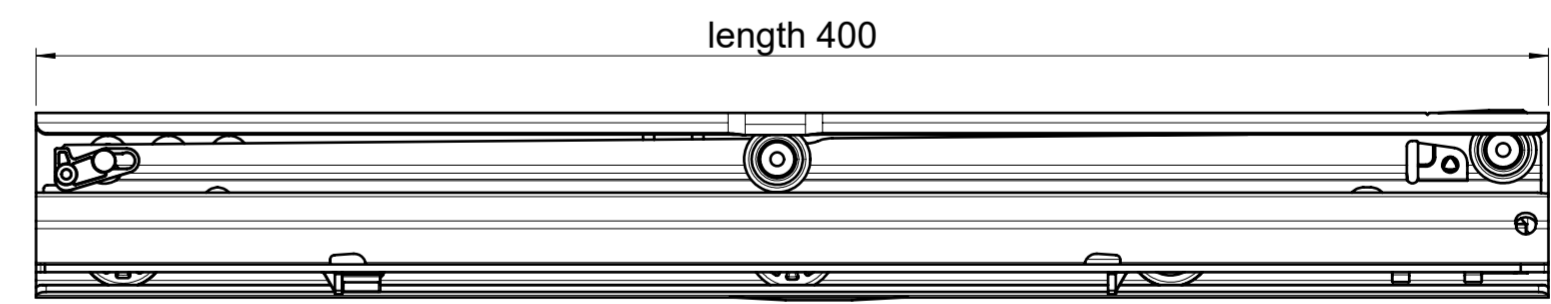
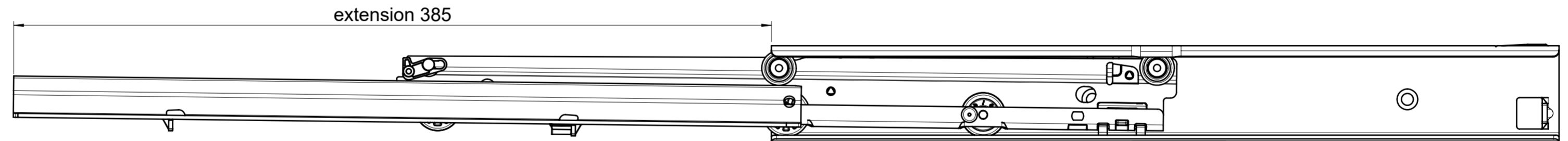
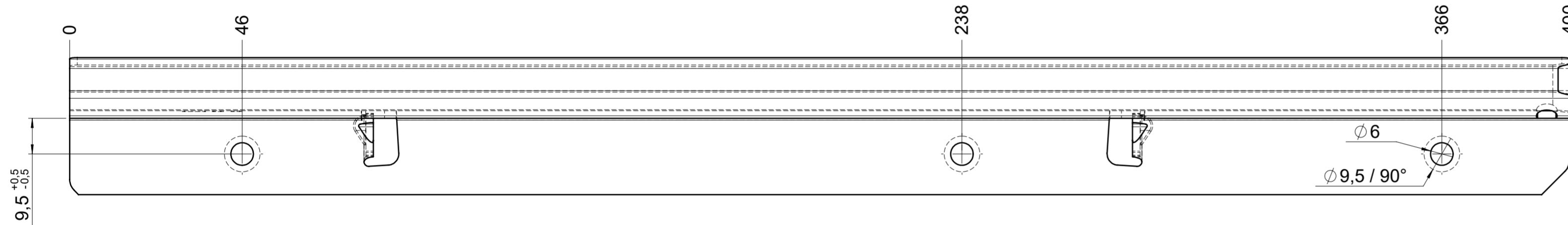
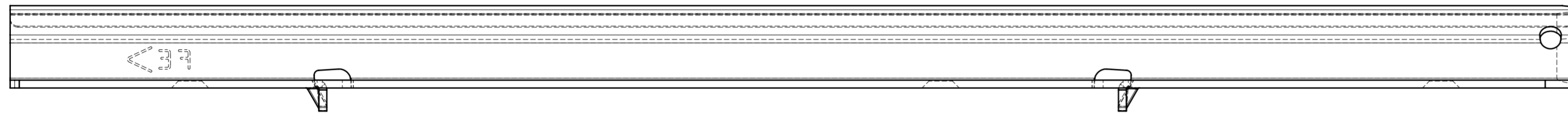
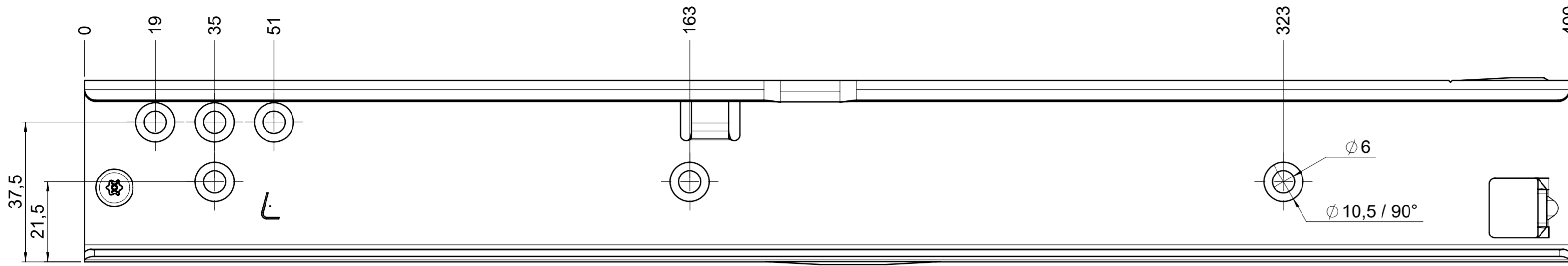


drawn left (right mirrorimage)

dimensions without coating / maximum coating allowed 0.1mm



final approval

customer name:

signed by:

date:

all dimensions in mm

⊕ DIN ISO 128-30
missing dimensions see 3D
⊕ = theor. intersection

This drawing remains our property and may not be multiplied neither be disclosed to third parties (§§1,3 and 5 from the copyright Act (UrhG)) covered according to DIN ISO 16016				scale:	surface:	material, semi finished parts:	A2
(k)				1:1		steel	
(l)				drawn	date	name	
(h)				29-11-2022	BM		
(g)				proven	00-00-0000	00	
(f)				Fulterer		description: FR 7075 / 40 EN (mm) progressive-action full-extension drawerslide / bottom mount	
(e)							
(d)							
(c)							
(b)							
(a)				drawing number: 7075.400-GA.0000			
ind.	changes	date	na.	Fulterer AG & Co KG A-6890 Lustenau / Austria Fulterer AG CH-9430 St. Margrethen		replaces version date:	