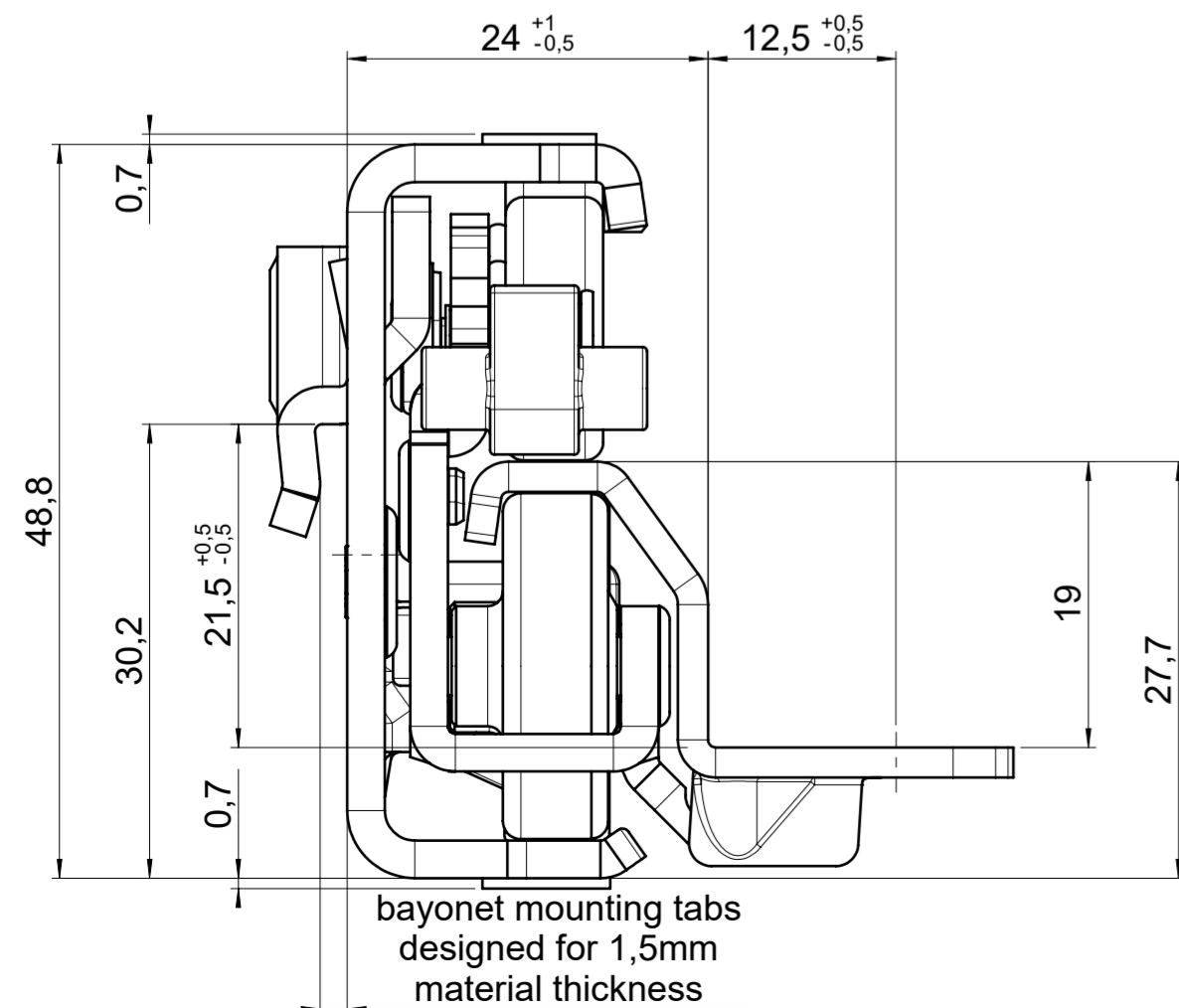
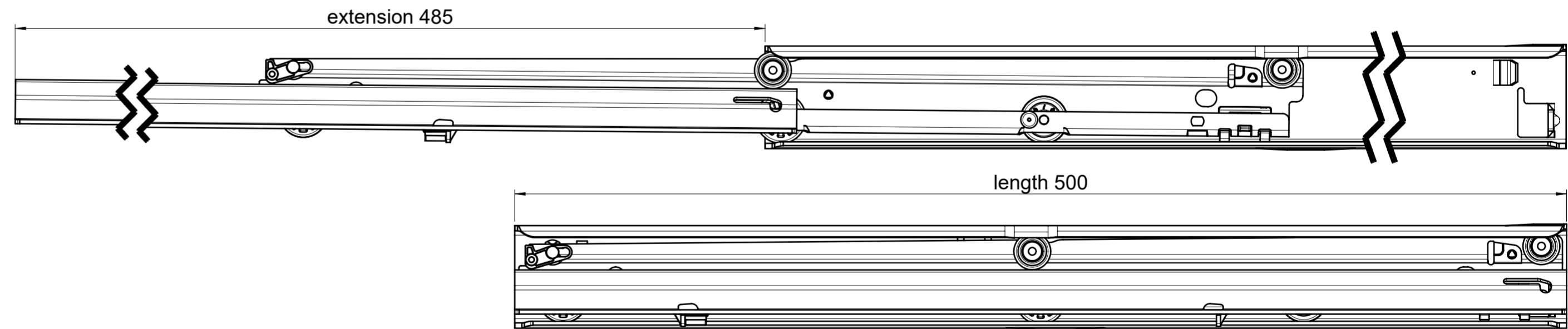
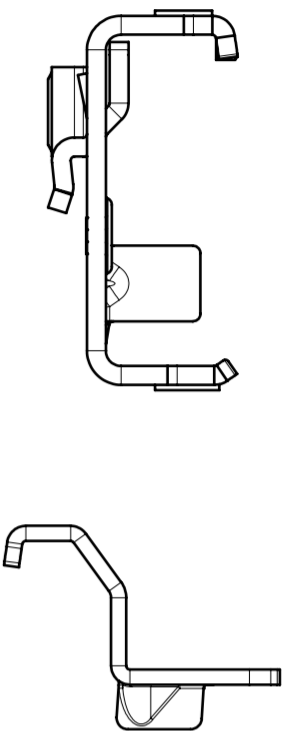
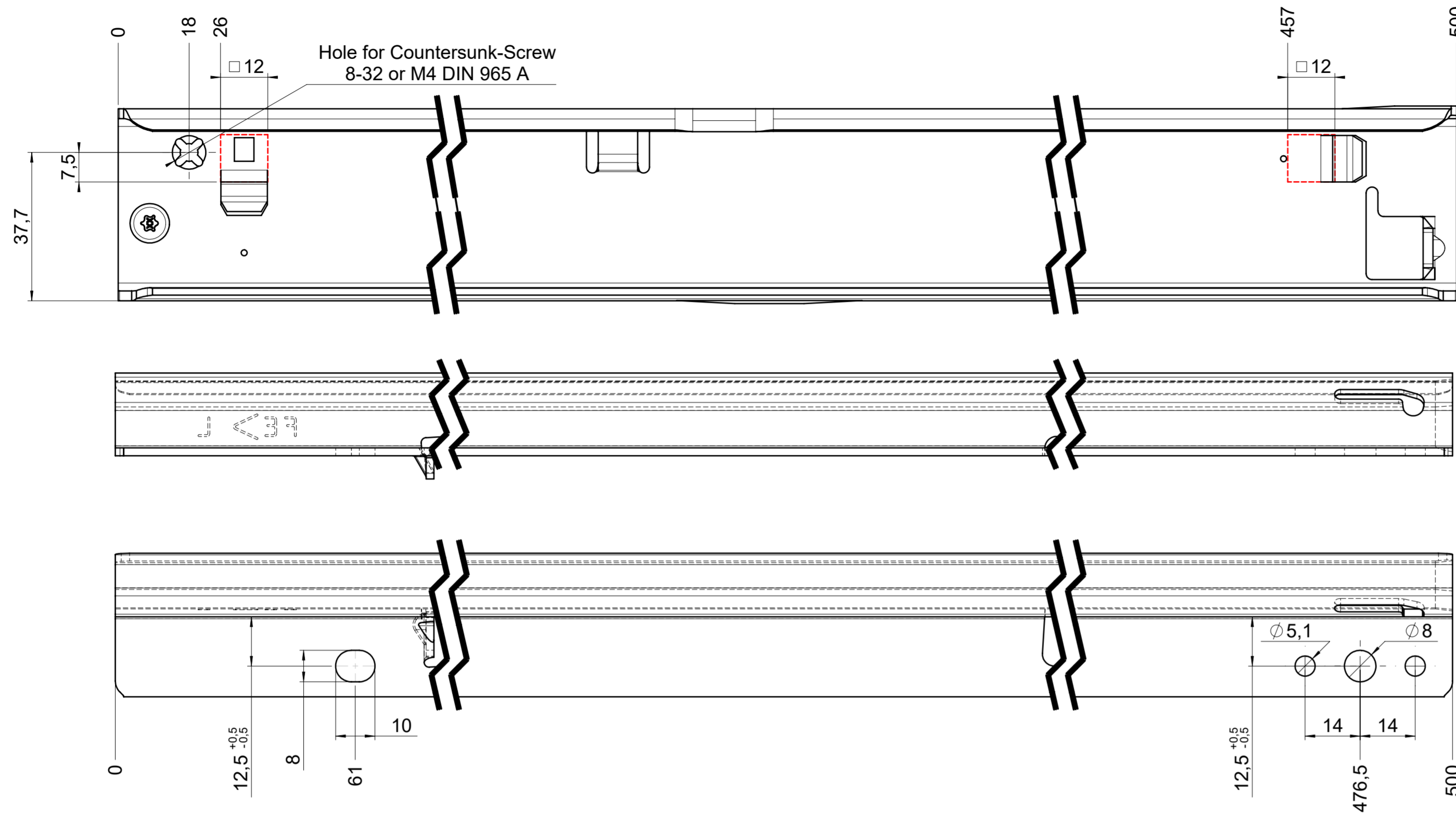


# 7075.500-GA.U005

drawn left (right mirrorimage)

dimensions without coating / maximum coating allowed 0.1mm



**final approval**

customer name:

signed by:

date:

**all dimensions in mm**

DIN ISO 128-30  
missing dimensions see 3D  
= theor. intersection

This drawing remains our property and may not be multiplied neither be disclosed to third parties (§§1,3 and 5 from the copyright Act (UrhG)) covered according to DIN ISO 16016				scale: 1:1	surface:	material, semi finished parts: steel (technical requirements Fulterer)	A2
(k)				drawn	date	name	description: FR 7075 / 50 EN (mm) progressive-action full-extension drawerslide / bottom mount
(l)				proven	00-00-0000	BM 00	
(m)				<b>Fulterer</b>			
(n)				Fulterer AG & Co KG A-6890 Lustenau / Austria			drawing number: <b>7075.500-GA.U005</b>
(o)				Fulterer AG CH-9430 St. Margrethen			
(p)				changes	date	na.	replaces version date: