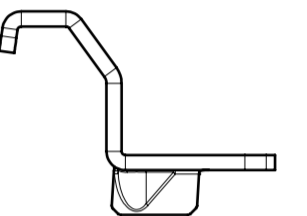
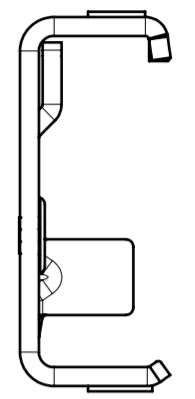
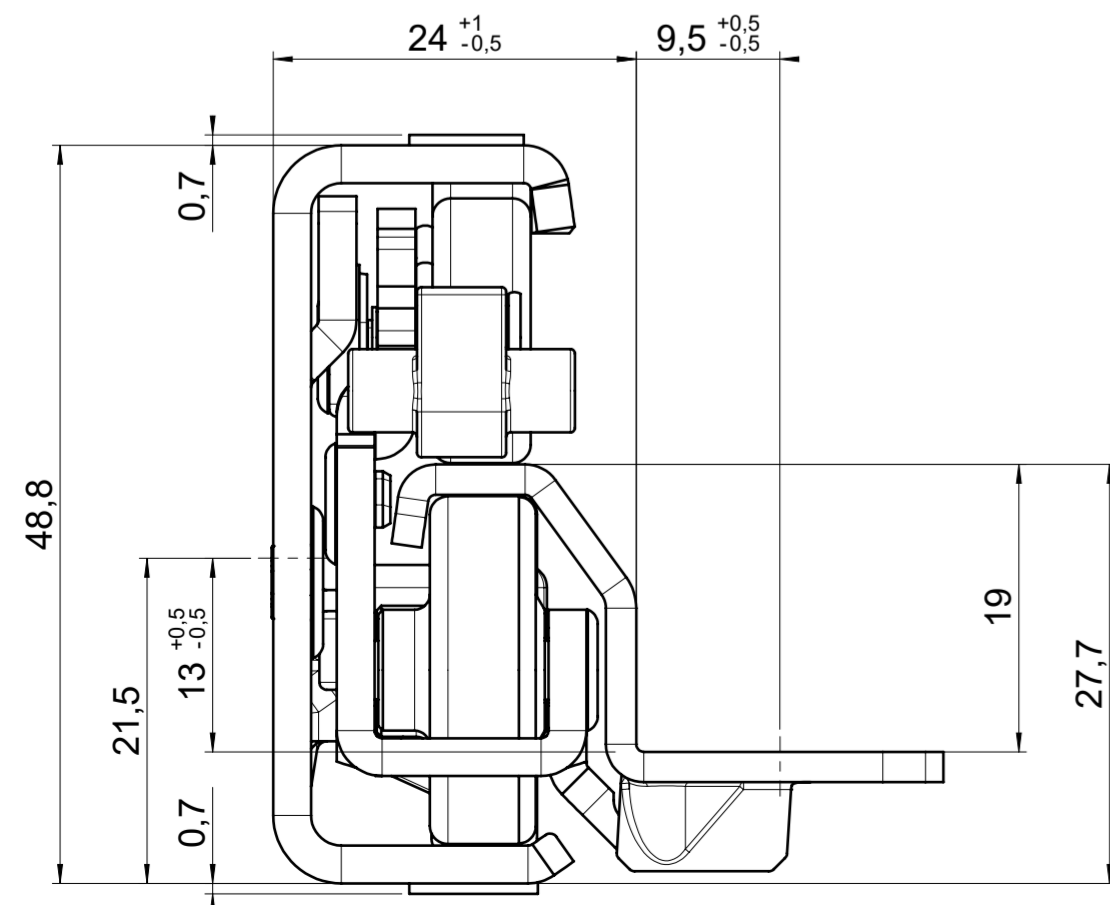
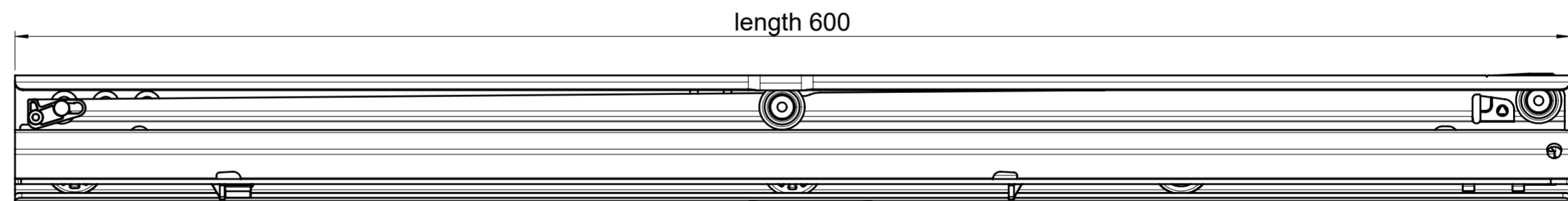
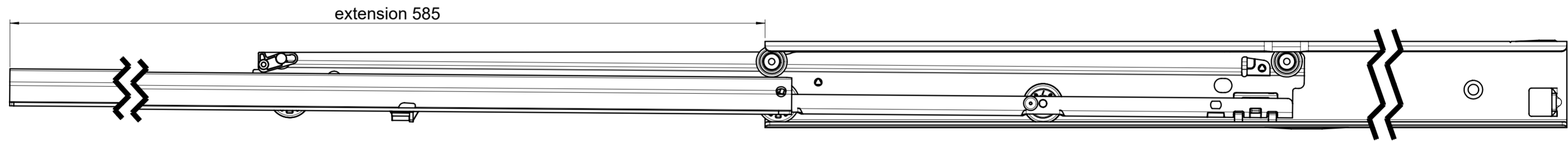
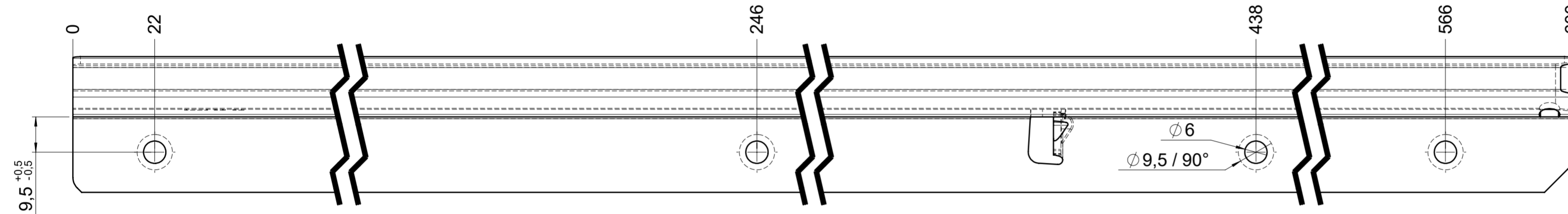
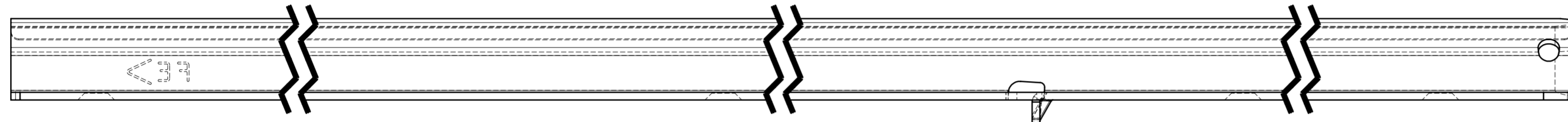
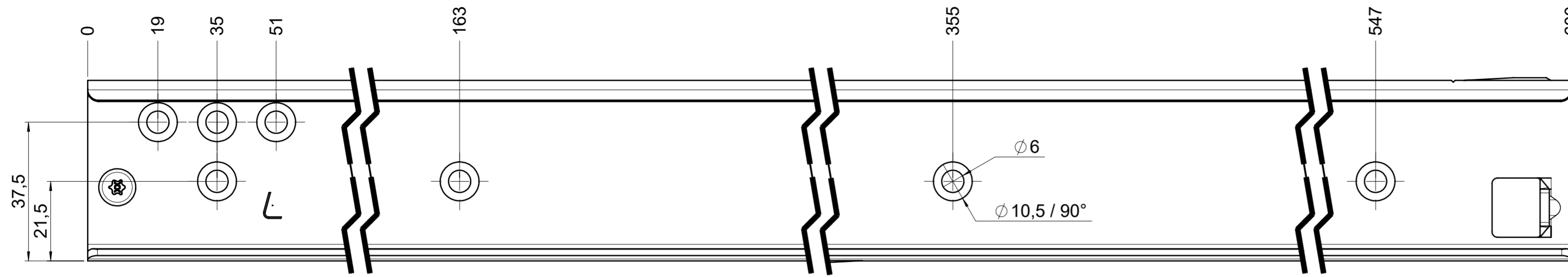


drawn left (right mirrorimage)

dimensions without coating / maximum coating allowed 0.1mm



final approval

customer name:

signed by:

date:

all dimensions in mm

DIN ISO 128-30
missing dimensions see 3D
= theor. intersection

This drawing remains our property and may not be multiplied neither be disclosed to third parties (§§1,3 and 5 from the copyright Act (UrhG)) covered according to DIN ISO 16016				scale: 1:1	surface:	material, semi finished parts: steel (technical requirements Fulterer)
(k)				date	name	description: FR 7075 / 60 EN (mm) progressive-action full-extension drawerslide / bottom mount
(l)				drawn 29-11-2022	BM	
(h)				proven 00-00-0000	00	
(g)				Fulterer		drawing number: 7075.600-GA.0000 replaces version date:
(f)						
(e)				Fulterer AG CH-9430 St. Margrethen		
(d)				changes	date	na.
(c)						
(b)						
(a)						
ind.						