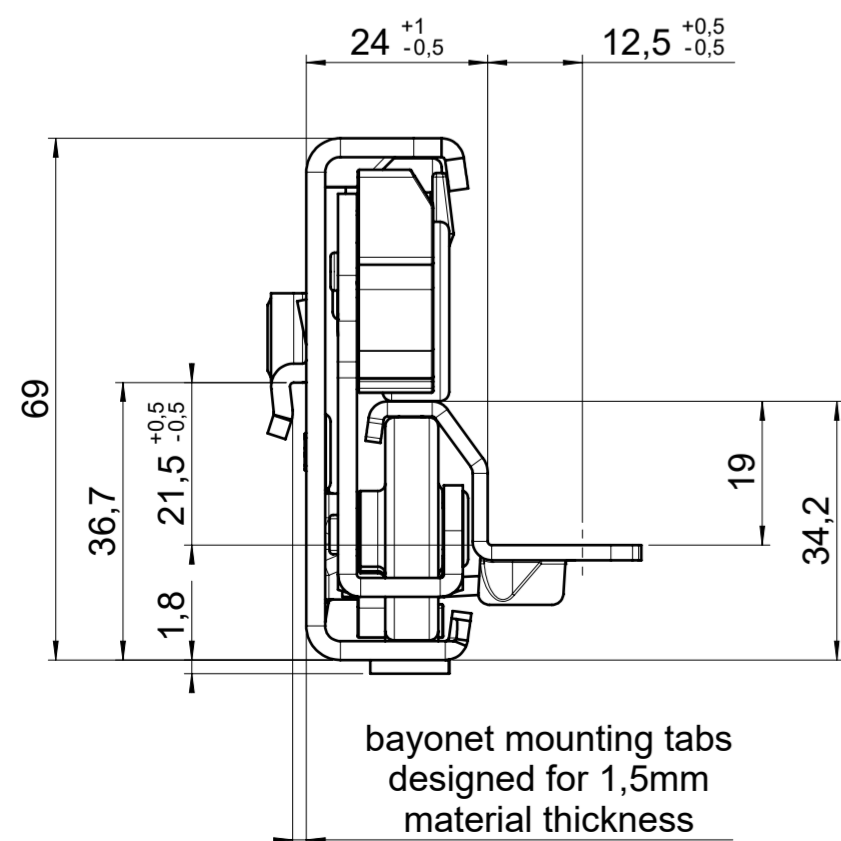
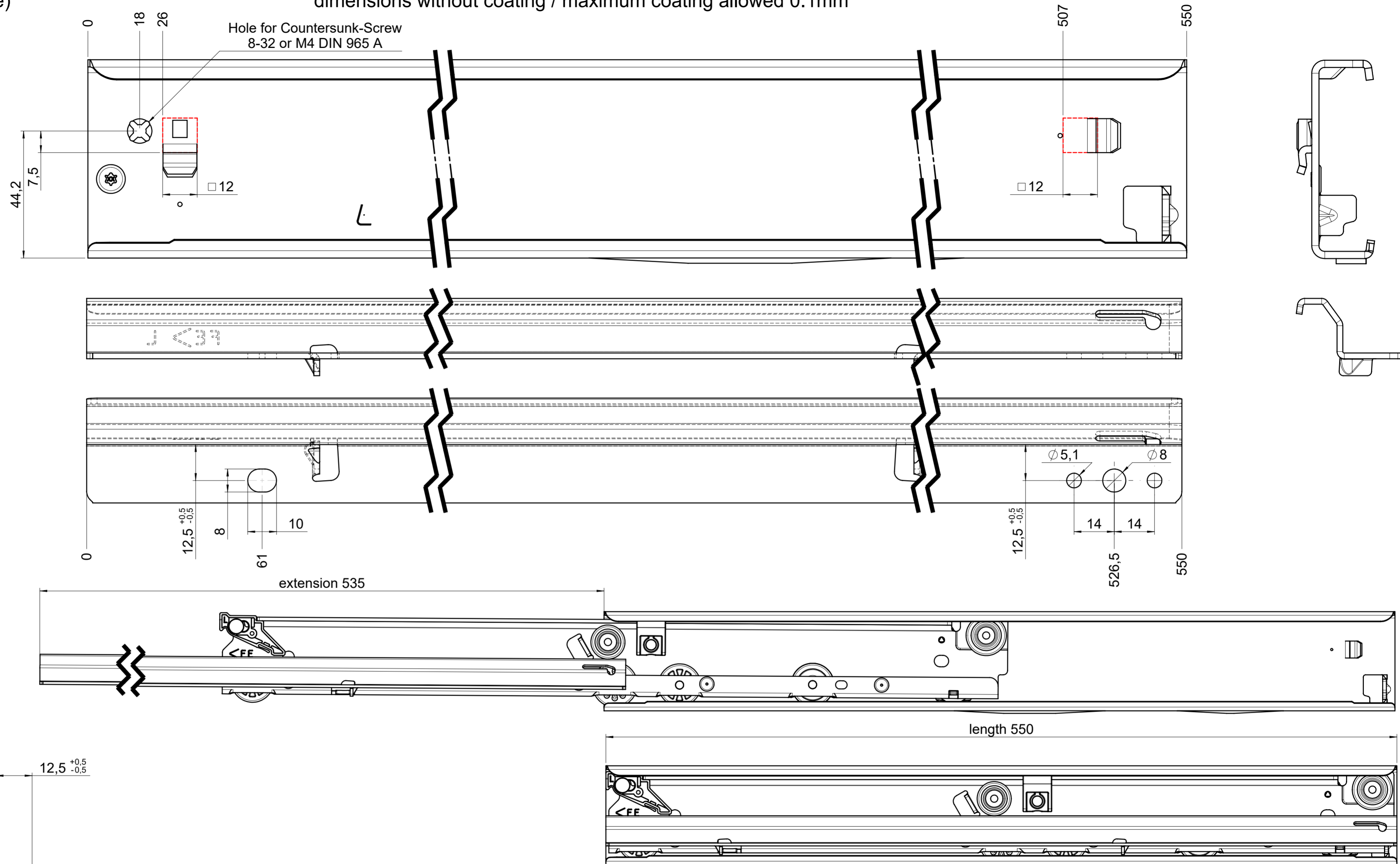


# 7180.550-GA.U015

drawn left (right mirrorimage)

dimensions without coating / maximum coating allowed 0.1mm



**final approval**

customer name:

signed by:

date:

**all dimensions in mm**

⊕ DIN ISO 128-30  
missing dimensions see 3D  
⊕ = theor. intersection

This drawing remains our property and may not be multiplied neither be disclosed to third parties (§§1,3 and 5 from the copyright Act (UrhG)) covered according to DIN ISO 16016				scale: 1:1	surface:	material, semi finished parts: steel (technical requirements Fulterer)	A2
(k)				date	name	description: FR 7180 / 55 EN (mm) progressive-action full-extension drawerslide / bottom mount	drawing number: <b>7180.550-GA.U015</b> replaces version date:
(l)			drawn 12-12-2022	BM			
(m)			proven 00-00-0000	00			
(n)			<b>Fulterer</b>		Fulterer AG & Co KG A-6890 Lustenau / Austria		drawing number: <b>7180.550-GA.U015</b> replaces version date:
(o)					Fulterer AG CH-9430 St. Margrethen		
(p)			ind.	changes	date	na.	