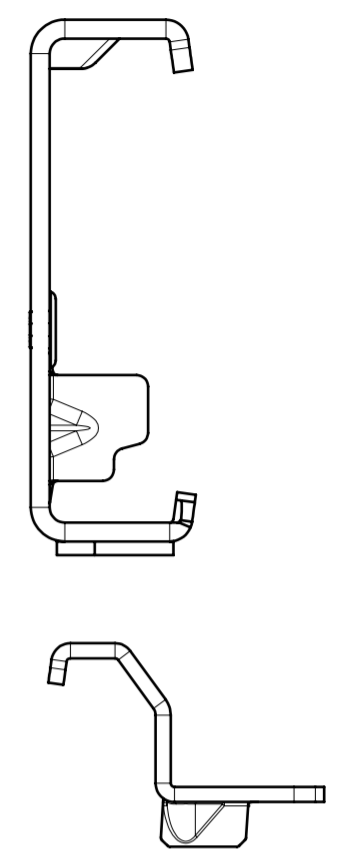
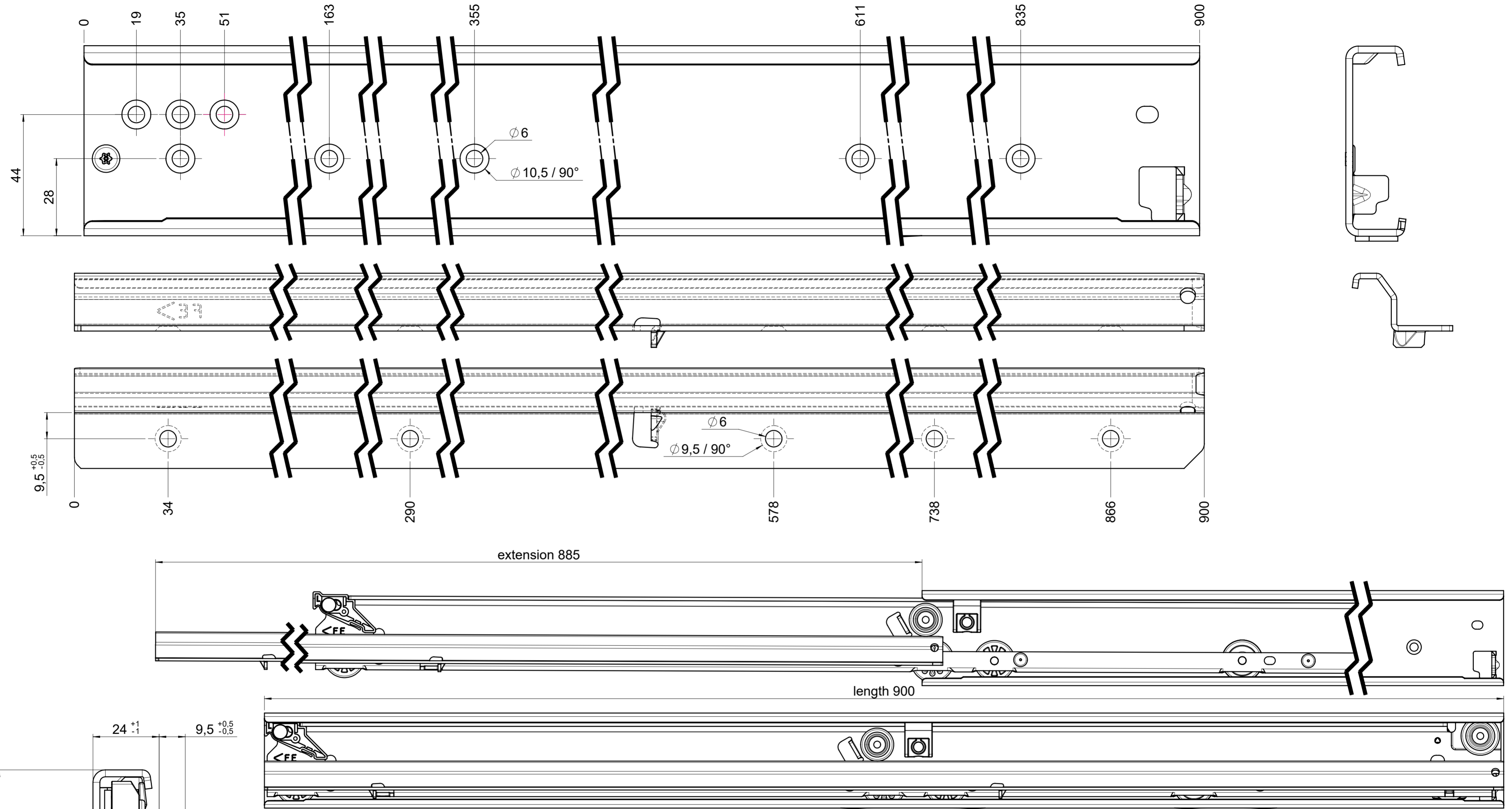


drawn left (right mirrorimage)

dimensions without coating / maximum coating allowed 0.1mm



final approval

customer name:

signed by:

date:

all dimensions in mm				DIN ISO 128-30 missing dimensions see 3D = theor. intersection	
This drawing remains our property and may not be multiplied neither be disclosed to third parties (§§1,3 and 5 from the copyright Act (UrhG)) covered according to DIN ISO 16016				A2	
scale: 1:1		surface:		material, semi finished parts: steel (technical requirements Fulterer)	
drawn	date	name		description:	
proven	00-00-0000	BM 00		FR 7180 / 90 EN (mm) progressive-action full-extension drawerside / bottom mount	
				drawing number:	
				7180.0900-GA.0000	
Fulterer AG & Co KG A-6890 Lustenau / Austria Fulterer AG CH-9430 St. Margrethen				replaces version date:	
ind.	changes	date	na.		