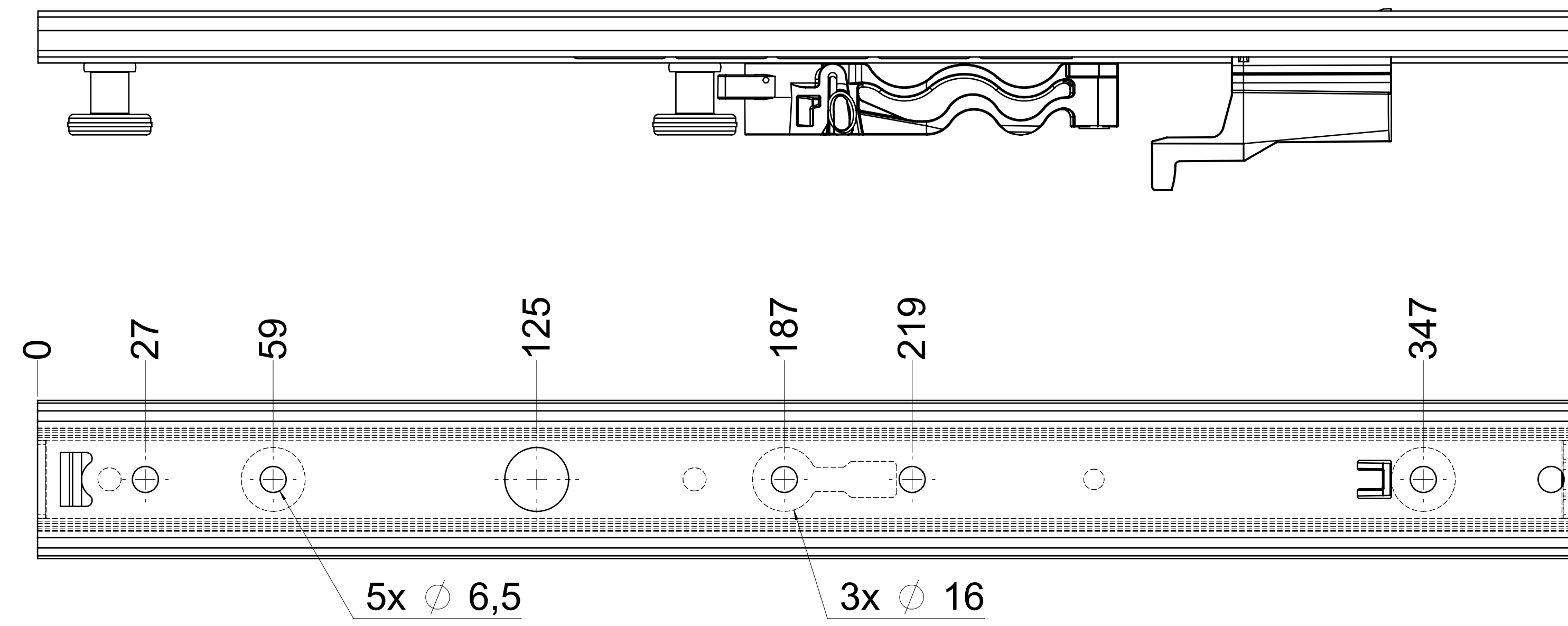


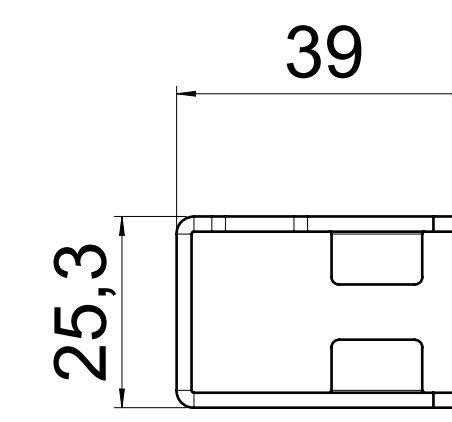
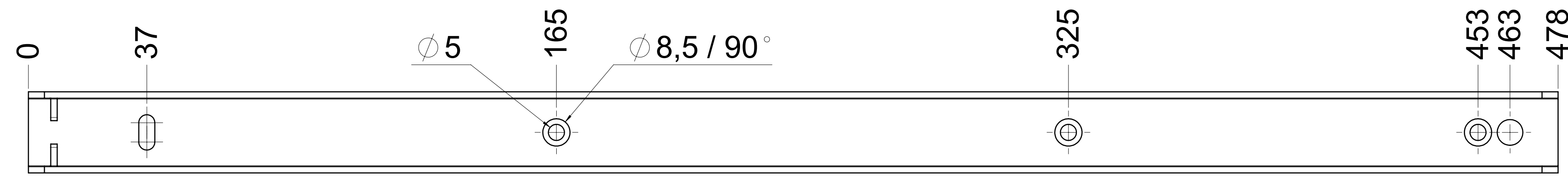
dimensions without coating / maximum coating allowed 0.1mm

X

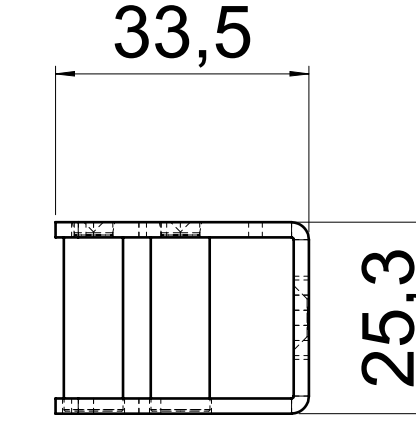
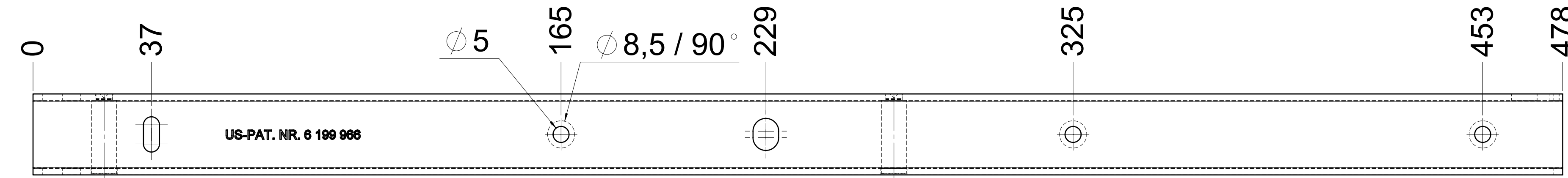
top guide cabinet profile



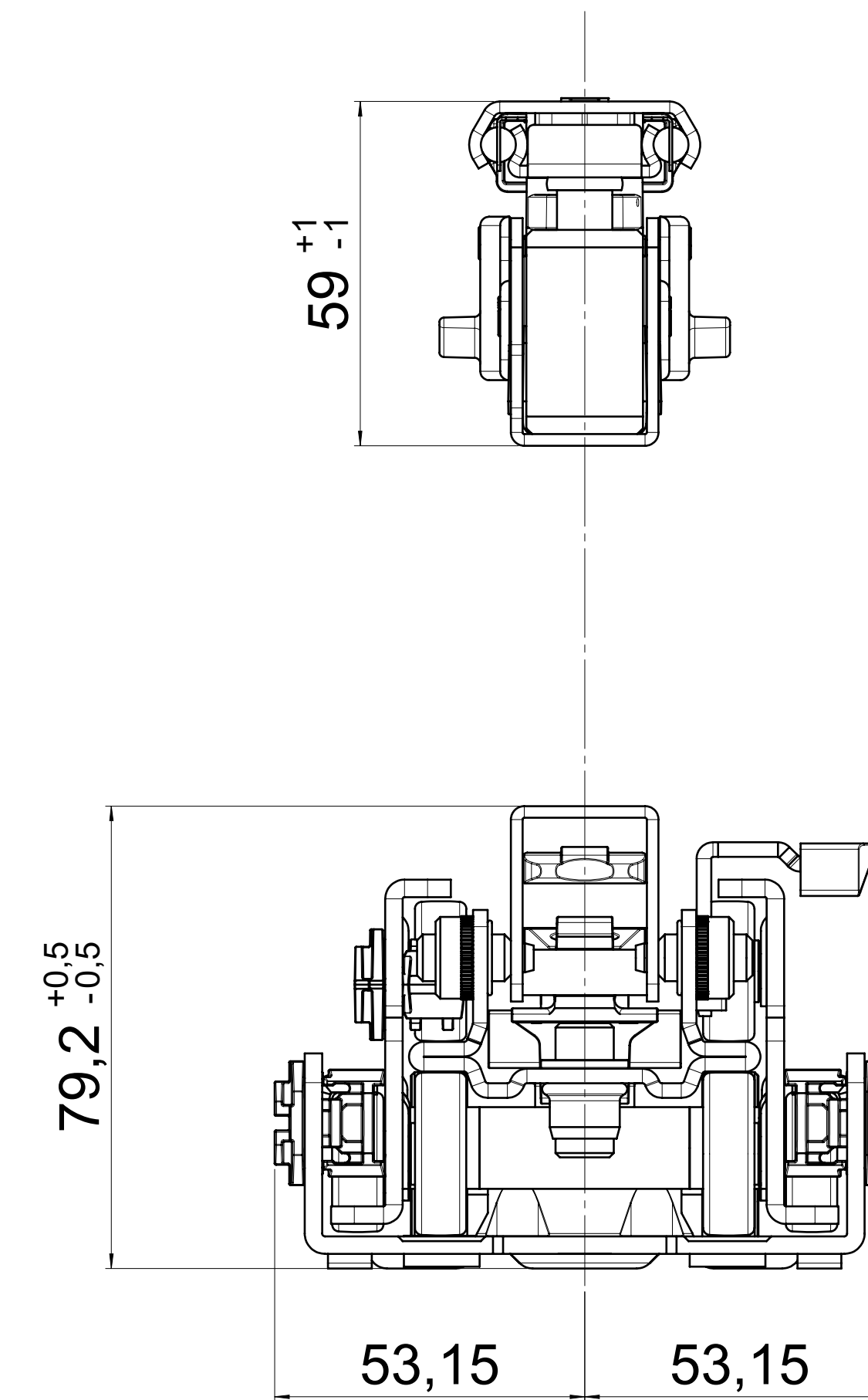
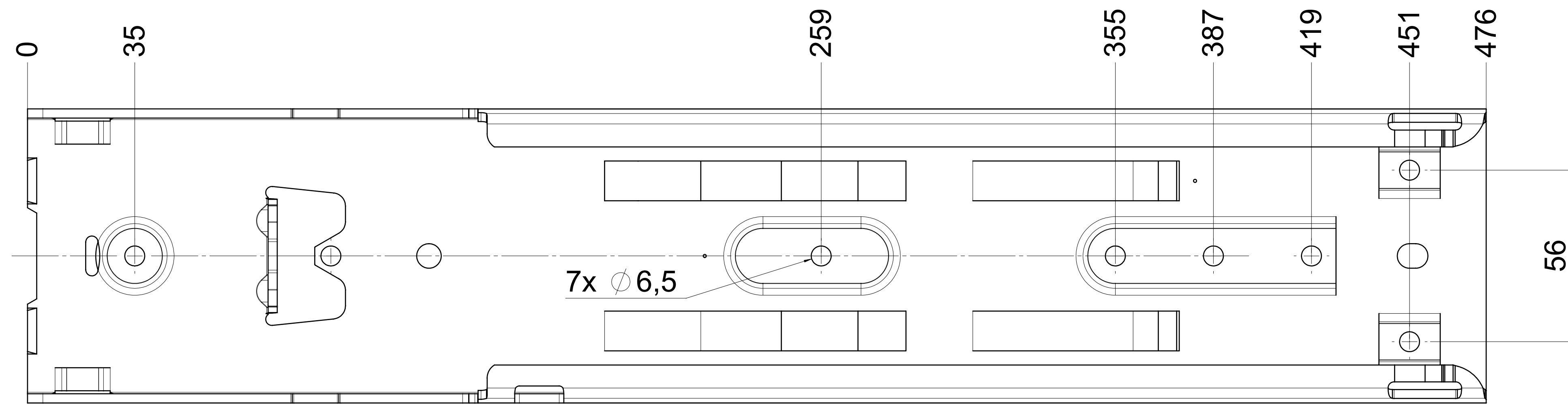
top guide drawer profile



bottom guide drawer profile



bottom guide cabinet profile



final approval

customer name:

signed by:

date:

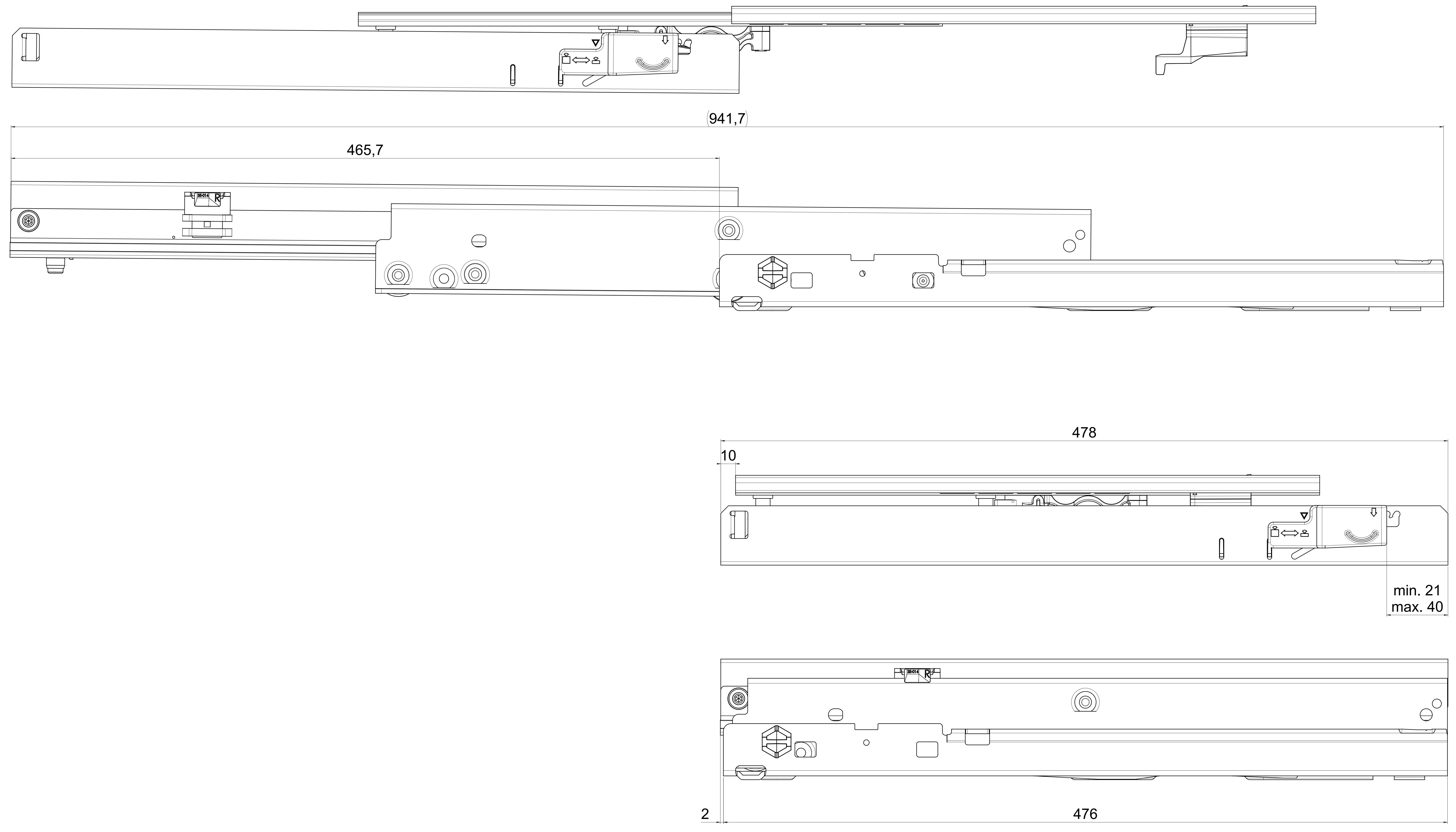
page 1 of 2

⚠ = check dimension, next free check number

all dimensions in mm		DIN ISO 128-30 missing dimensions see 3D = theor. intersection	
This drawing remains our property and may not be disclosed to third parties (§§1,3 and 5 from the copyright Act (UrhG)) covered according to DIN ISO 16016			
scale:	1:1	surface:	steel (technical requirements Filterer)
material:	semi finished parts	AO	
drawn:	07-12-2022	name:	GB
proven:	00-00-0000	description:	FR 771A / 48 - EN (mm) progressive-action full-extension drawerslide / bottom mount
Filterer AG & Co KG A-6800 Lustenau / Austria		drawing number:	771A.480-GA.0000
C14-8430 St. Margarethen		replaces version:	03/16
changes	date	na.	incl. date

dimensions without coating / maximum coating allowed 0.1mm

X



⚠ = check dimension , next free check number

final approval

customer name: _____

signed by: _____

date: _____

all dimensions in mm		DIN ISO 128-30 missing dimensions see 3D = theor. intersection	
This drawing remains our property and may not be multiplied neither be disclosed to third parties (§§1,3 and 5 from the copyright Act (UrhG)) covered according to DIN ISO 16016		scale: 1:1	surface: steel (technical requirements Filterer)
drawn	07-12-2022	GB	description: FR 771A / 48 - EN (mm) progressive-action full-extension drawerslide / bottom mount
proven	00-00-0000	00	
		drawing number: 771A.480-GA.0000	
Filterer AG & Co KG A-6800 Lustenau / Austria Filterer AG CH-8430 St. Margrethen		replaces version 636c	
changes	date	na.	