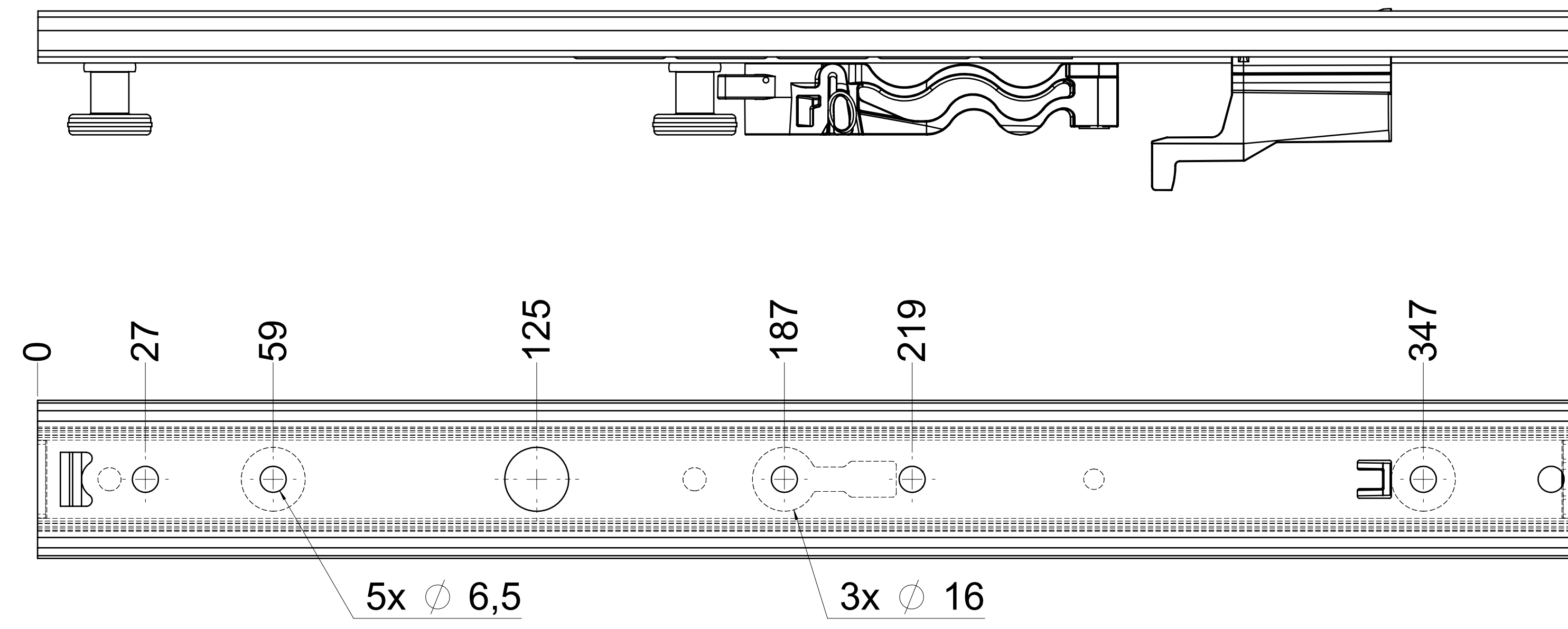


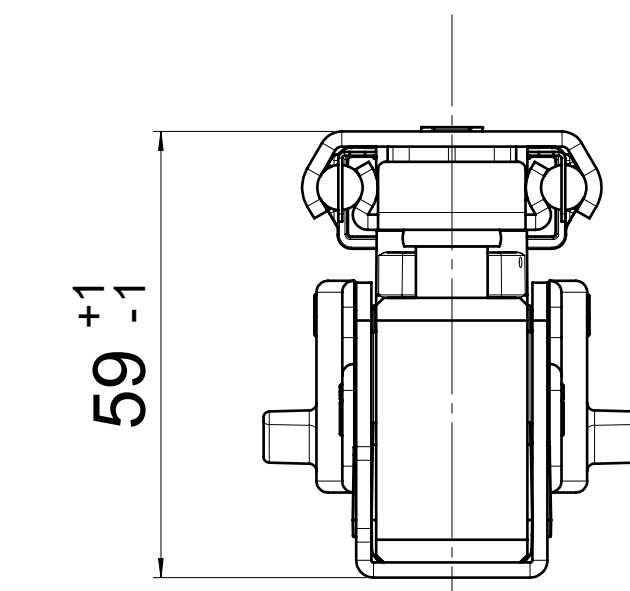
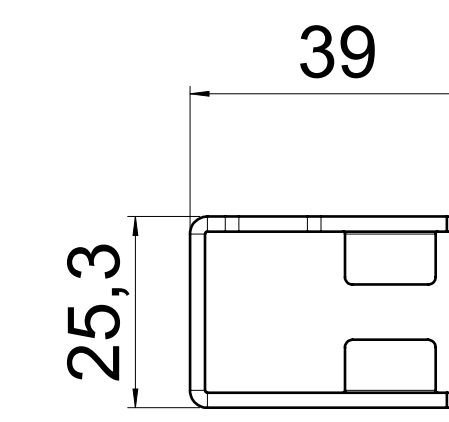
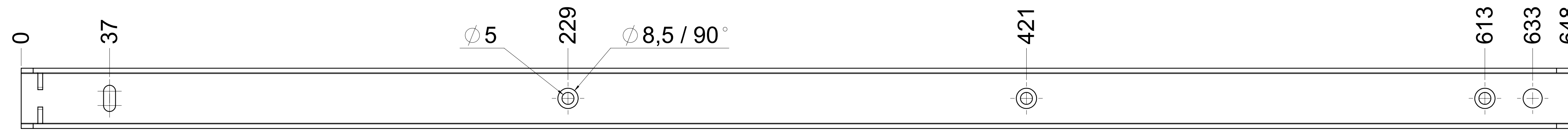
dimensions without coating / maximum coating allowed 0.1mm

X

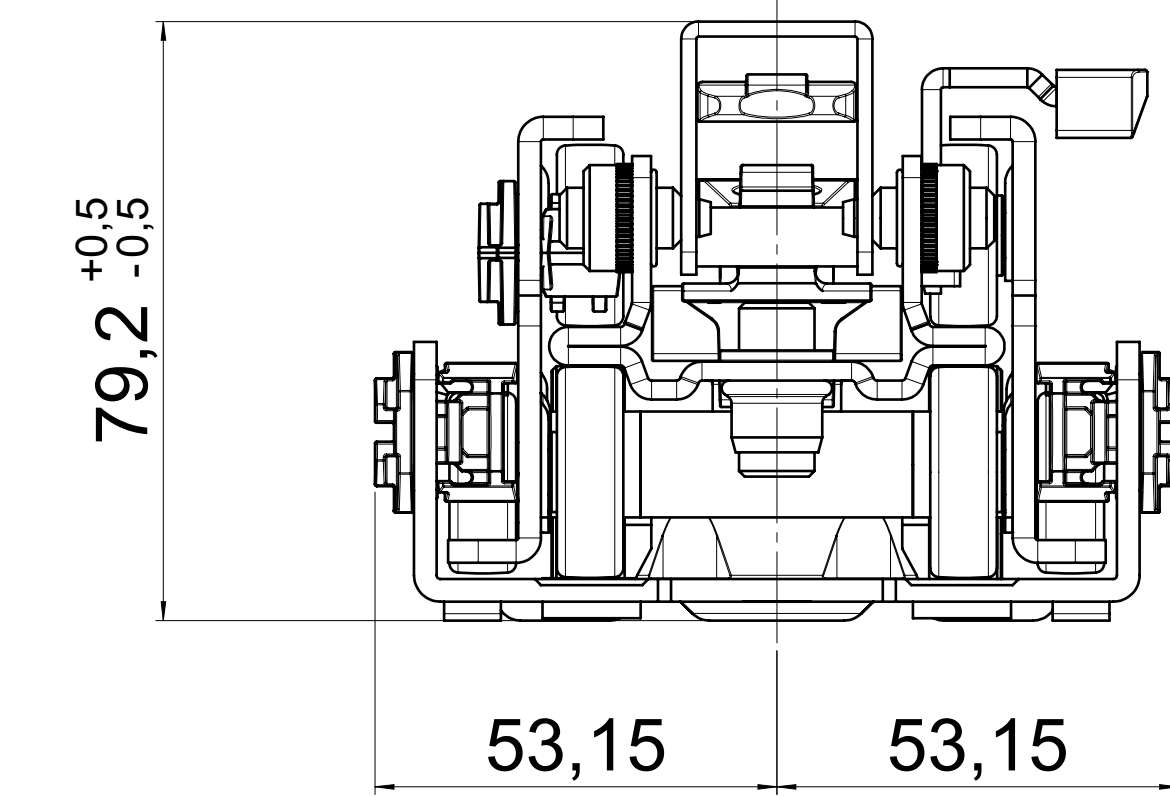
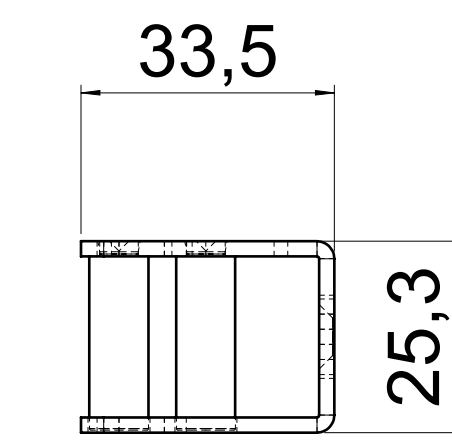
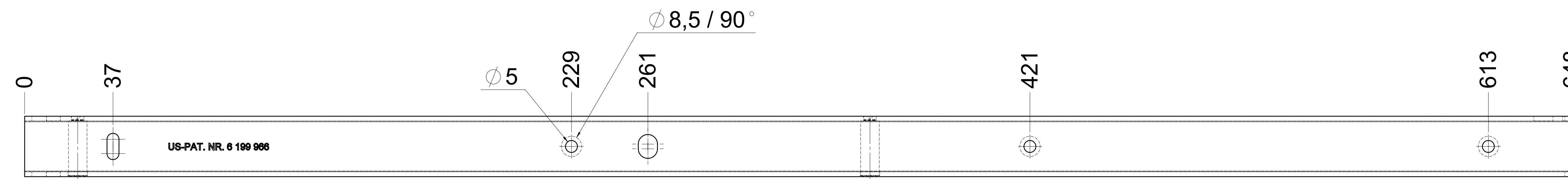
top guide cabinet profile



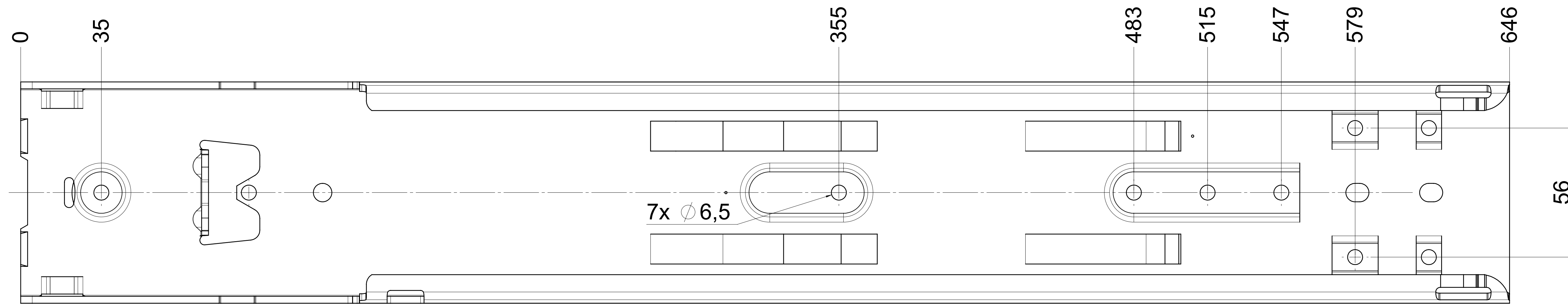
top guide drawer profile



bottom guide drawer profile



bottom guide cabinet profile



final approval

customer name:

signed by:

date:

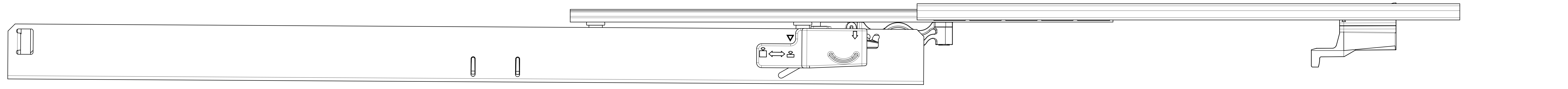
page 1 of 2

⚠ = check dimension, next free check number

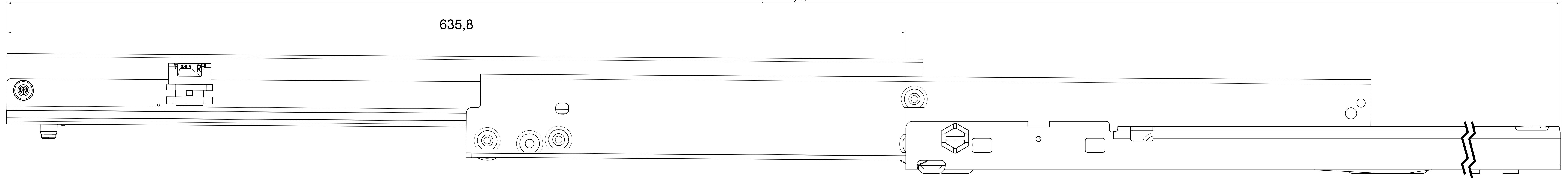
| all dimensions in mm | | | | DIN ISO 128-30 missing dimensions see 3D = theor. intersection | |
|--|------|-----|-----|--|---|
| This drawing remains our property and may not be disclosed to third parties (§§1,3 and 5 from the copyright Act (UrHG)) covered according to DIN ISO 16015 | | | | scale: | surface: |
| | | | | 1:1 | steel |
| | | | | (technical requirements Filterer) | |
| | | | | drawn: | description: |
| | | | | 07-12-2022 | FR 771A / 65 EN (mm) |
| | | | | proven:00-00-0000 | progressive-action full-extension drawerslide / bottom mount |
| | | | | drawing number: | |
| | | | | 771A.650-GA.0000 | |
| | | | | replaces version 03/02 | |
| changes | date | na. | na. | na. | na. |

dimensions without coating / maximum coating allowed 0.1mm

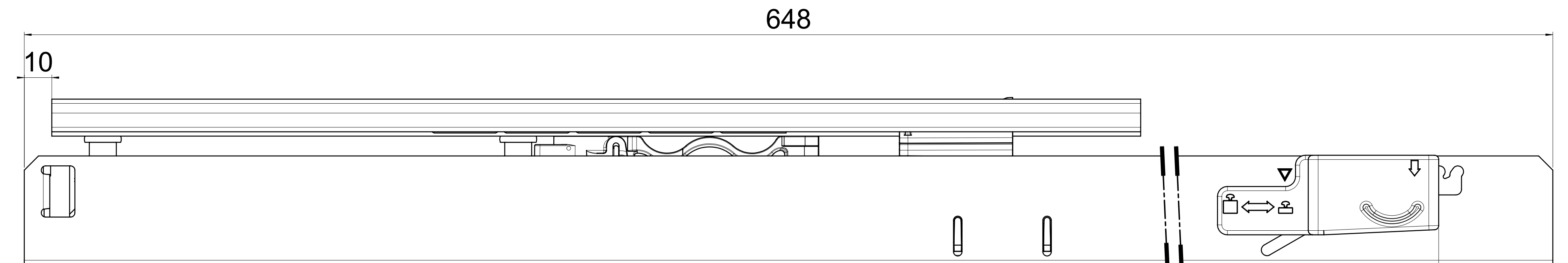
X



(1281,8)



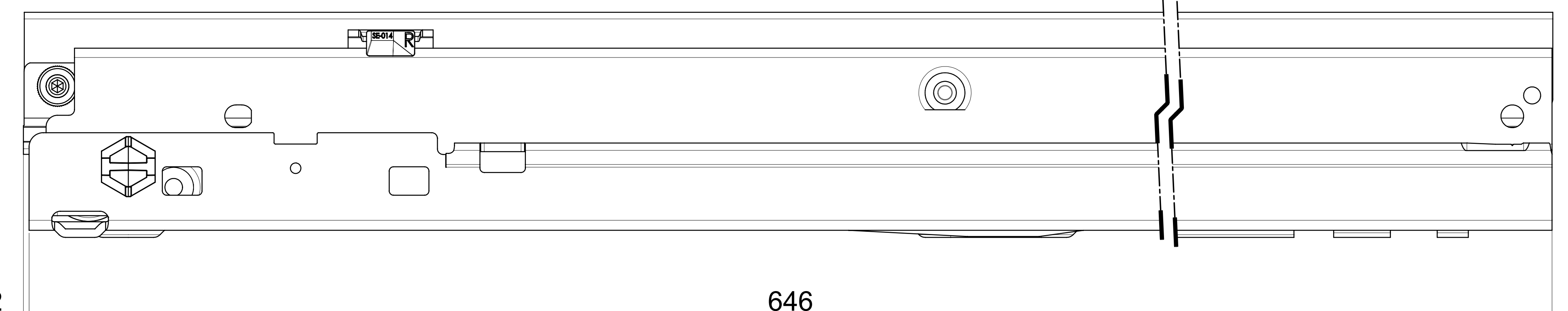
635,8



10

648

min. 21
max. 40



2

646

final approval

customer name: _____

signed by: _____

date: _____

| | | | |
|--|------------|--|---|
| all dimensions in mm | | DIN ISO 128-30 missing dimensions see 3D = theor. intersection | |
| This drawing remains our property and may not be multiplied neither be disclosed to third parties (§§1,3 and 5 from the copyright Act (UrhG)) covered according to DIN ISO 15016 | | | |
| scale: | 1:1 | surface: | steel (technical requirements Filterer) |
| drawn: | 07-12-2022 | name: | GB |
| proven: | 00-00-0000 | description: | FR 771A / 65 - EN (mm) progressive-action full-extension drawerslide / bottom mount |
| | | drawing number: | 771A.650-GA.0000 |
| Filterer AG & Co KG A-6800 Lustenau / Austria CH-8430 St. Margrethen | | replaces version date: | |
| changes | date | na. | incl. date |