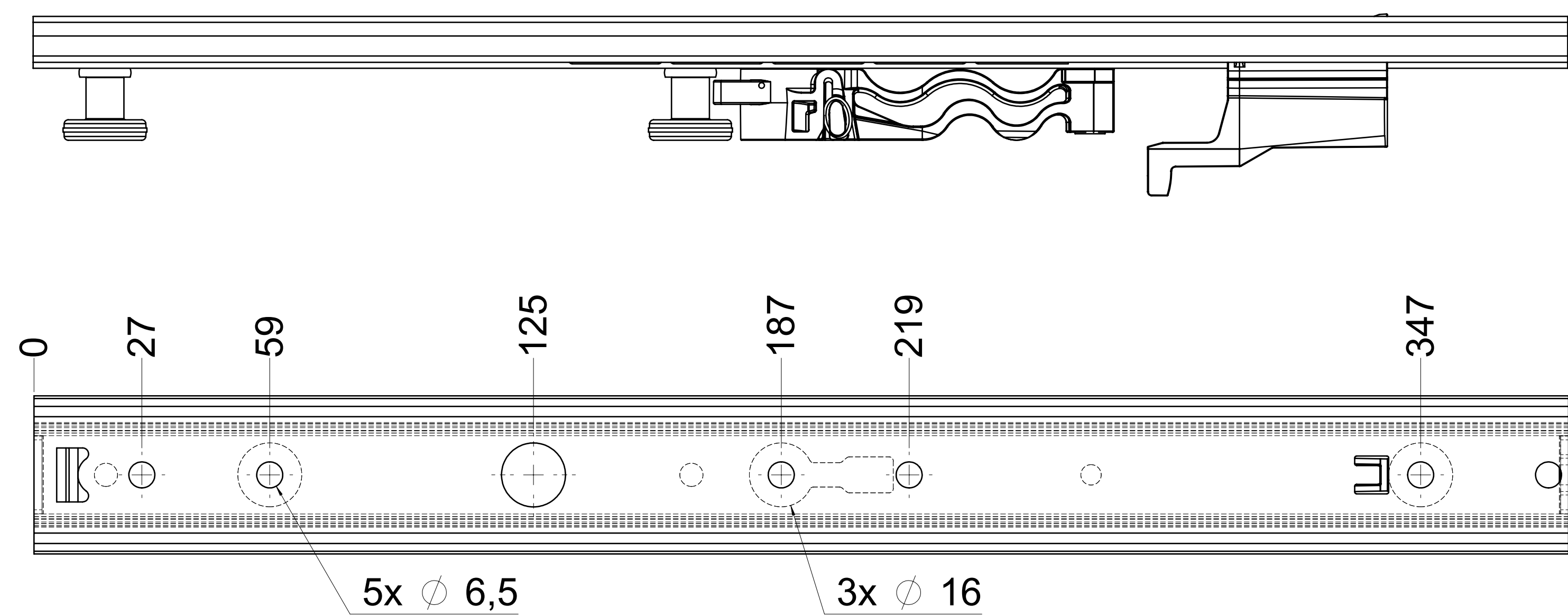


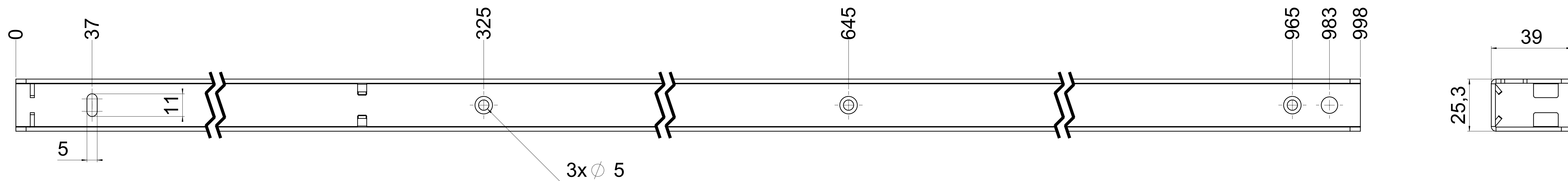
dimensions without coating / maximum coating allowed 0.1mm

X

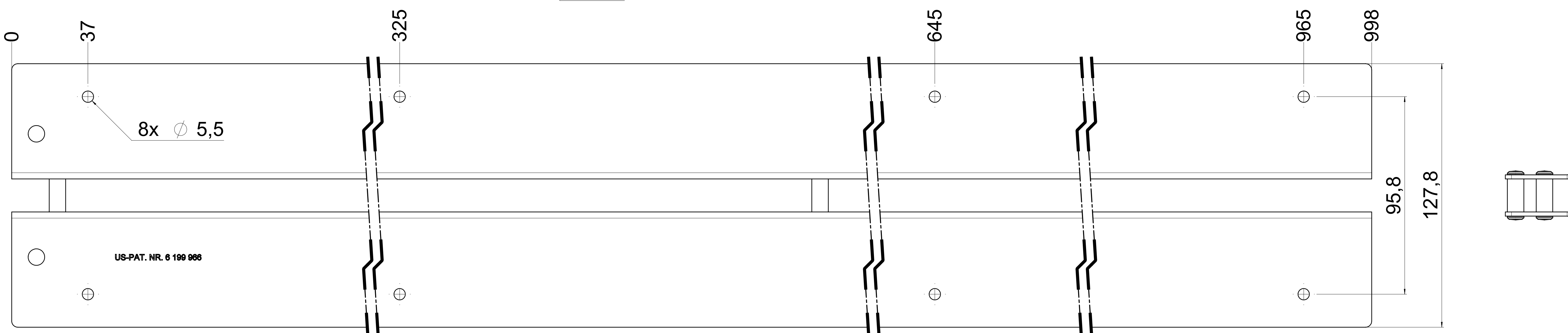
top guide cabinet profile



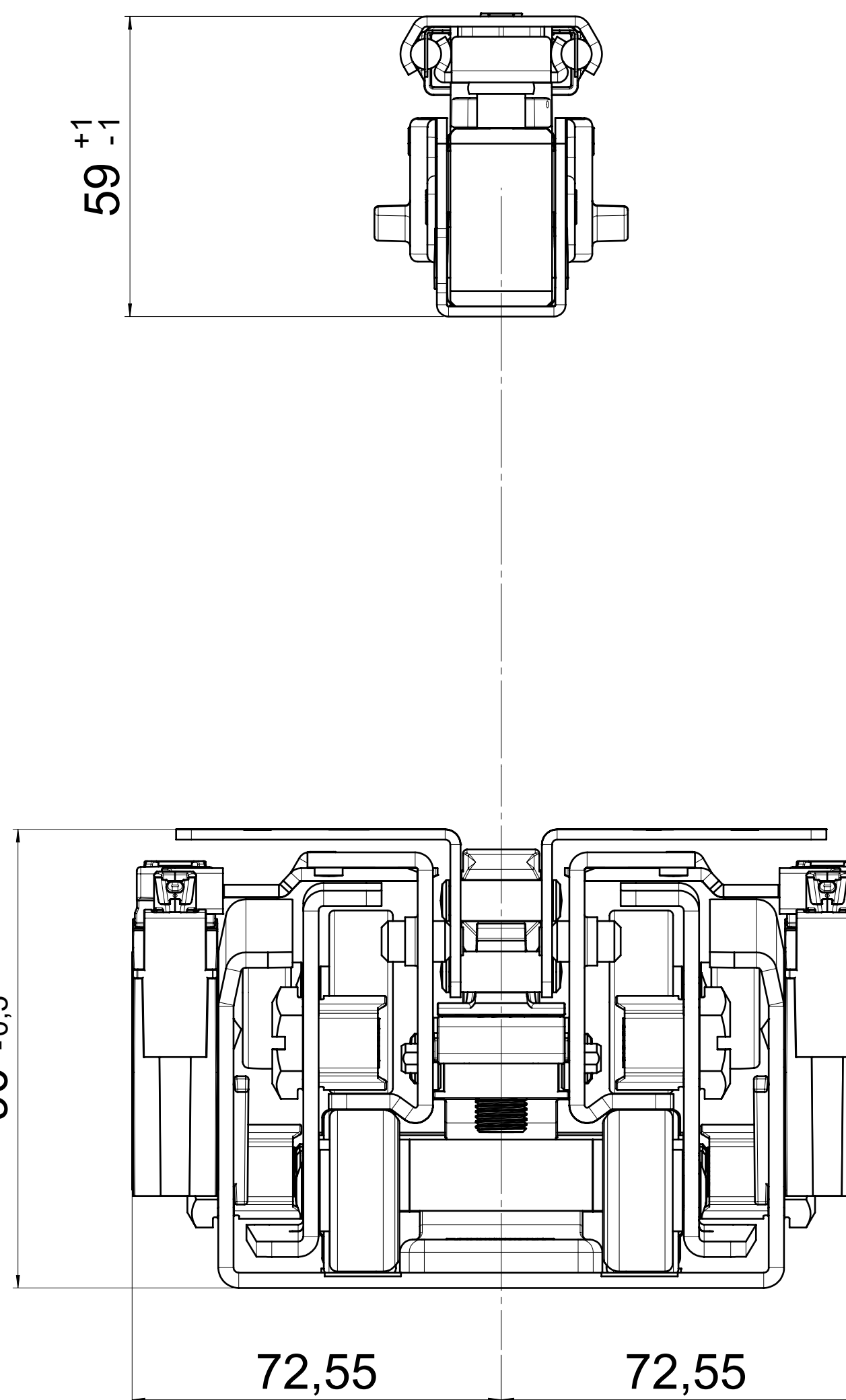
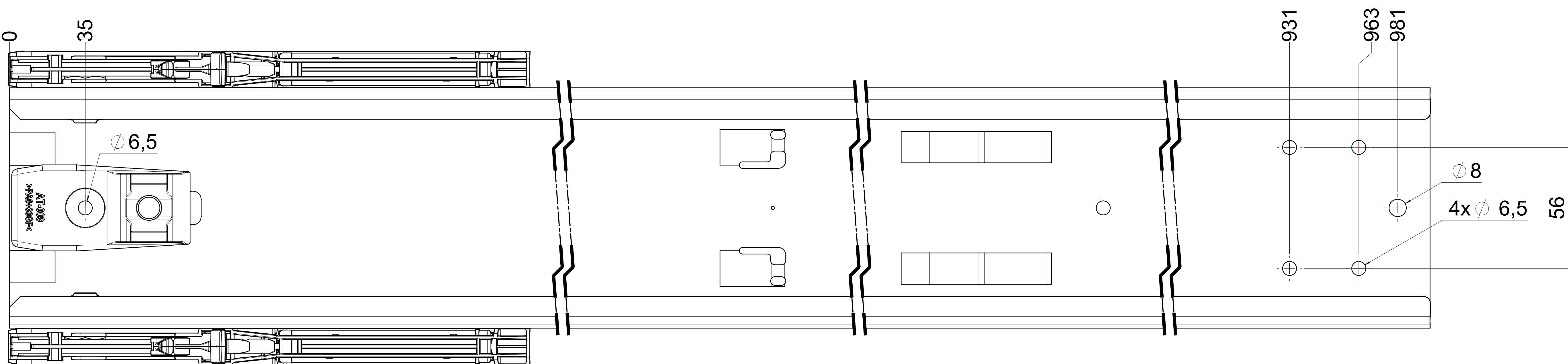
top guide drawer profile



bottom guide drawer profile



bottom guide cabinet profile



**final approval**

customer name: \_\_\_\_\_

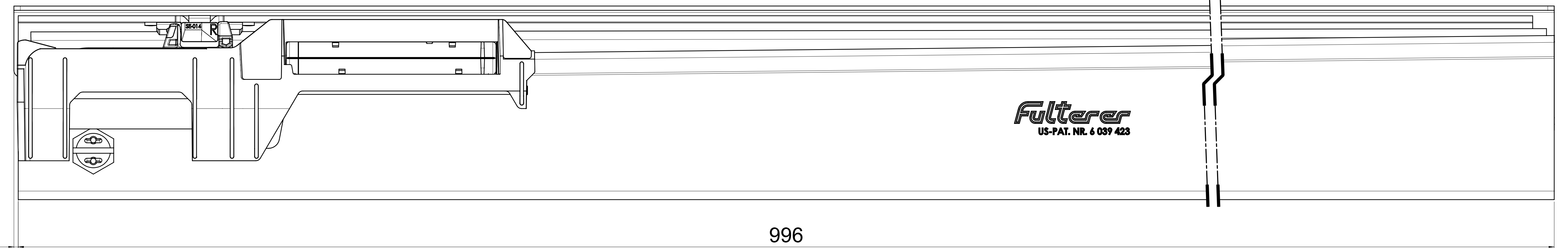
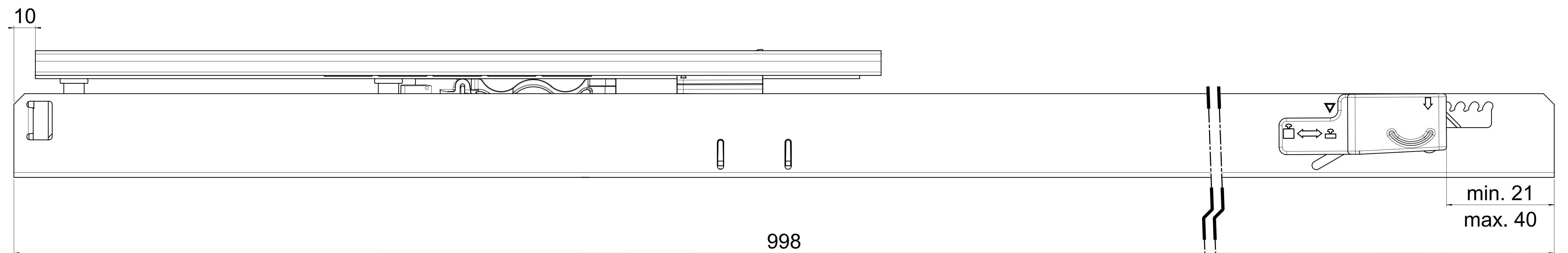
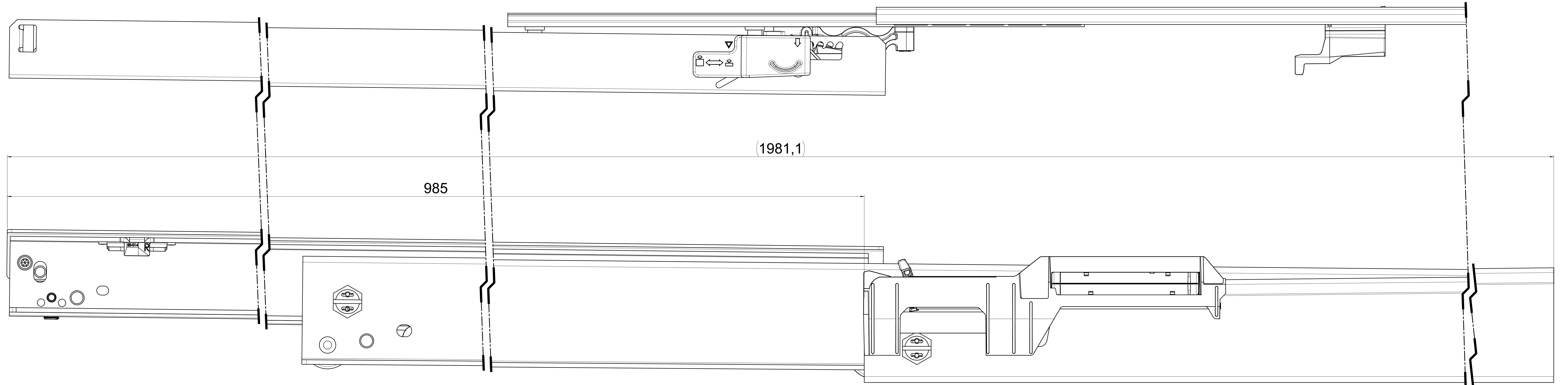
signed by: \_\_\_\_\_

date: \_\_\_\_\_

<p><b>all dimensions in mm</b></p> <p>This drawing remains our property and may not be multiplied neither be disclosed to third parties (§§1,3 and 5 from the copyright Act (UrHG)). covered according to DIN ISO 15015</p>		<p>DIN ISO 128-30 missing dimensions see 3D = theor. intersection</p>	
scale:	1:1	surface:	steel (technical requirements Filterer)
material:	semi finished parts	description:	FR 777A / 100 EN (mm) progressive-action full-extension drawerslide / bottom mount
drawn:	21-11-2021 GB	drawing number:	777A.1000-GA.0000
proven:	00-00-0000 00	replaces version:	03/02
<p><b>Filterer</b></p> <p>Filterer AG &amp; Co KG A-6800 Lustenau / Austria CH-8430 St. Margrethen</p>		<p>includes: beberger</p>	
changes:	date:	na:	

dimensions without coating / maximum coating allowed 0.1mm

X



2

**Filterer**  
US-PAT. NR. 6 039 423

= check dimension , next free check number

**final approval**

customer name: \_\_\_\_\_

signed by: \_\_\_\_\_

date: \_\_\_\_\_

all dimensions in mm				DIN ISO 128-30 missing dimensions see 3D = theor. intersection	
This drawing remains our property and may not be multiplied neither be disclosed to third parties (§§1,3 and 5 from the copyright Act (UrhG)) covered according to DIN ISO 16016				material: semi finished parts: <b>AO</b>	
scale:	1:1	surface:	steel	(technical requirements Filterer)	
drawn:	21-11-2021	name:	GB	description: FR 777A / 100 EN (mm)	
proven:	00-00-0000	date:	00	progressive-action full-extension drawerslide / bottom mount	
				drawing number: 777A.1000-GA.0000	
Filterer AG & Co KG A-6800 Lustenau / Austria Filterer AG CH-8430 St. Margrethen				replaces version 03/02	
changes	date	na.		Created: 01. Januar 2021 14:11:06 Inhaber: heberger	