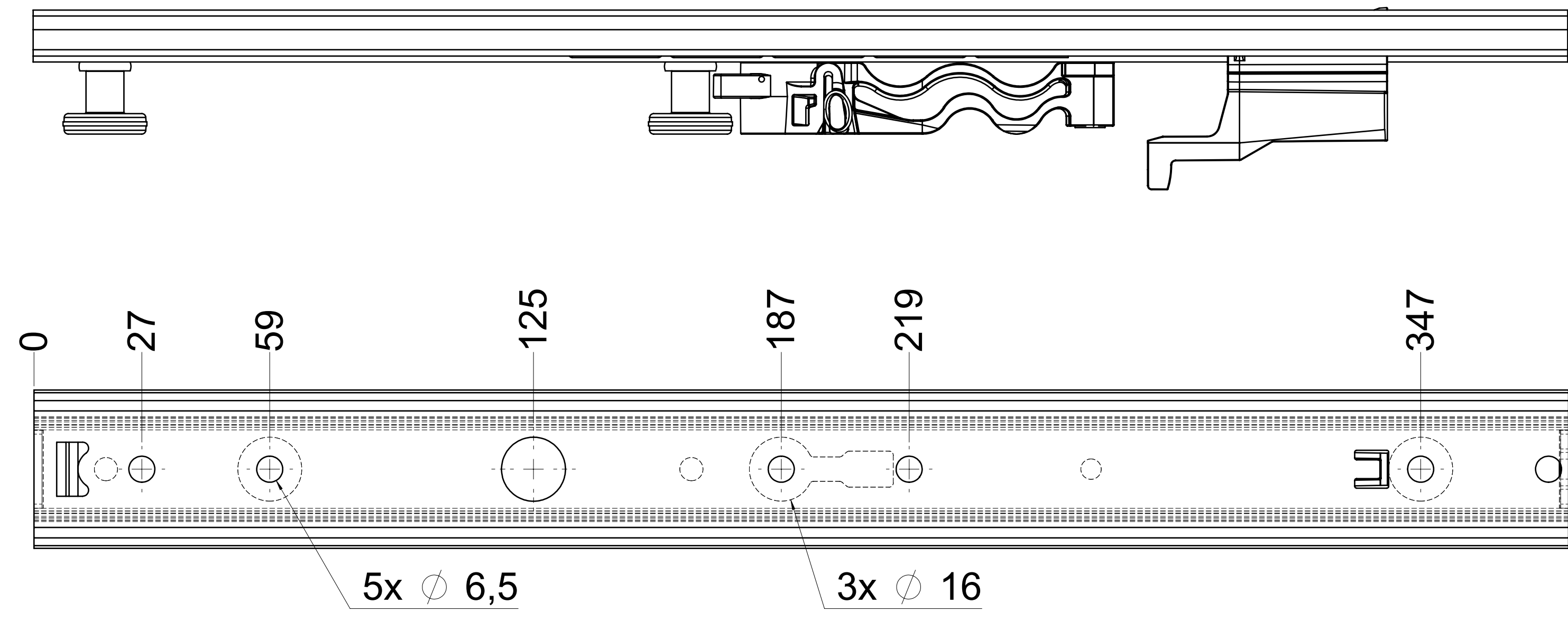
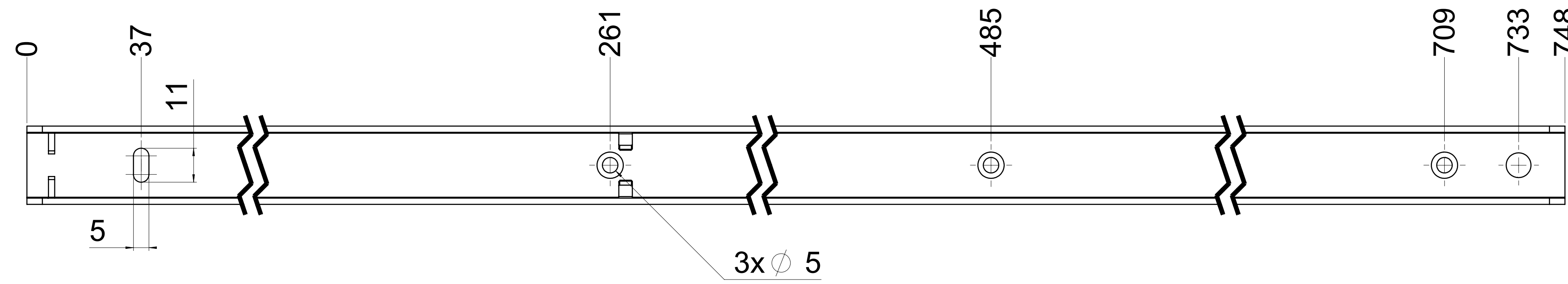


dimensions without coating / maximum coating allowed 0.1mm

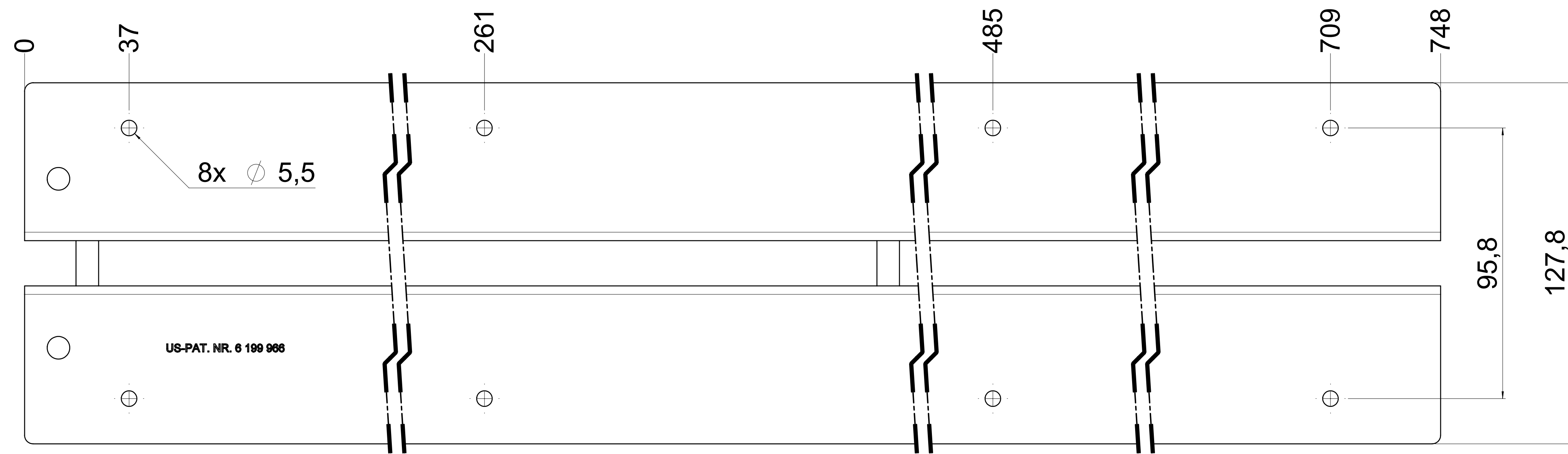
top guide cabinet profile



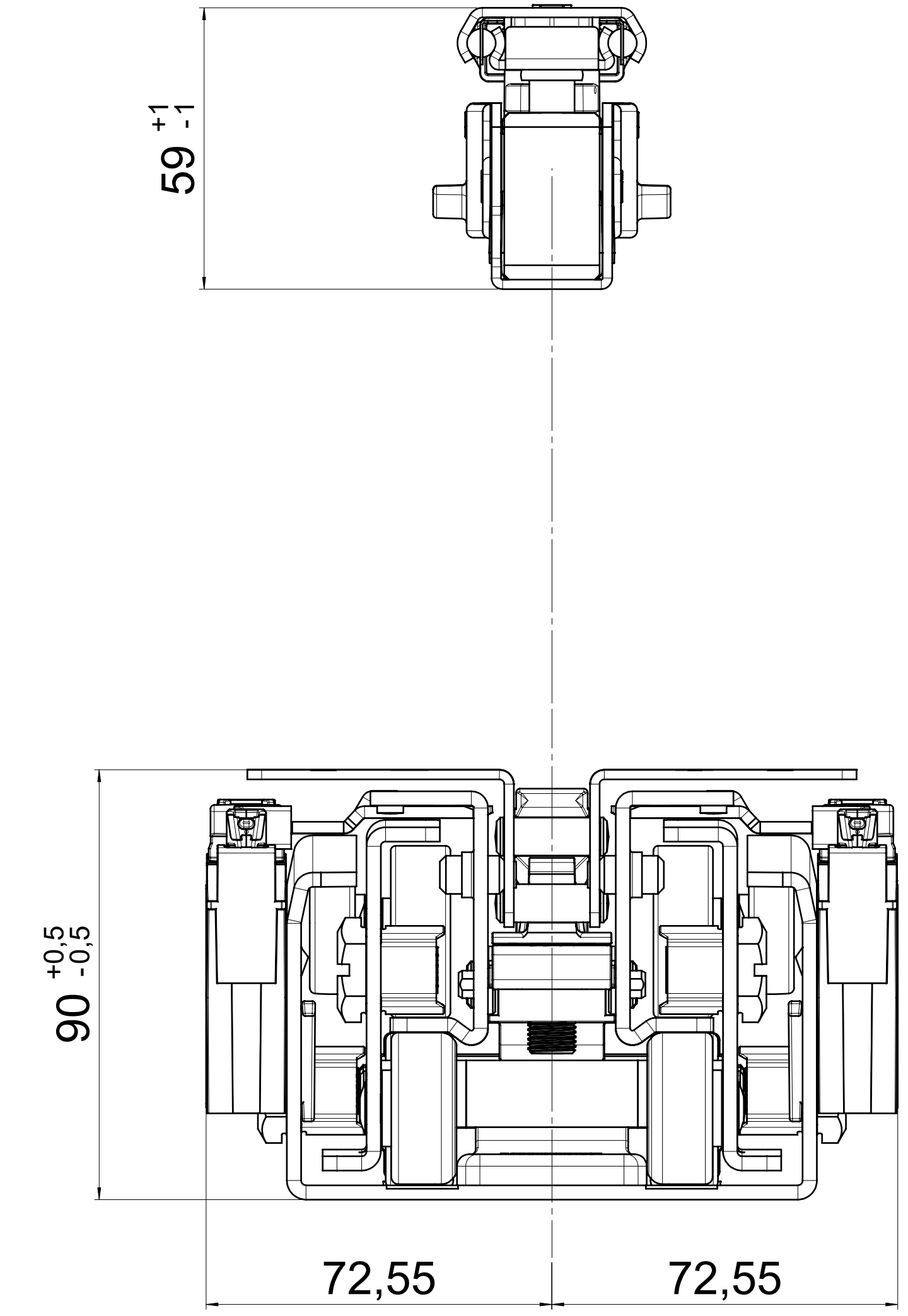
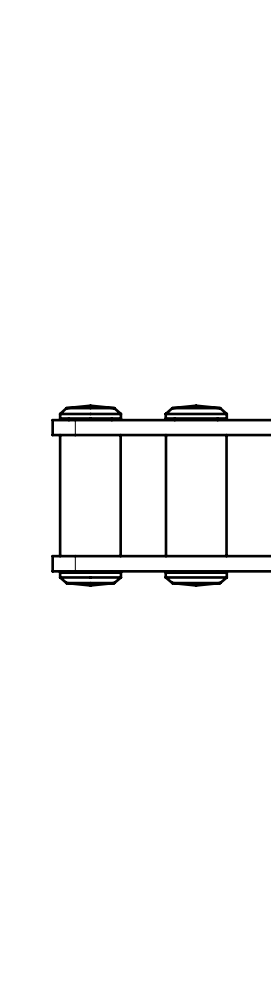
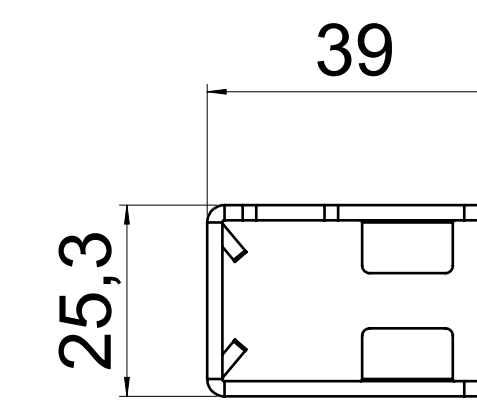
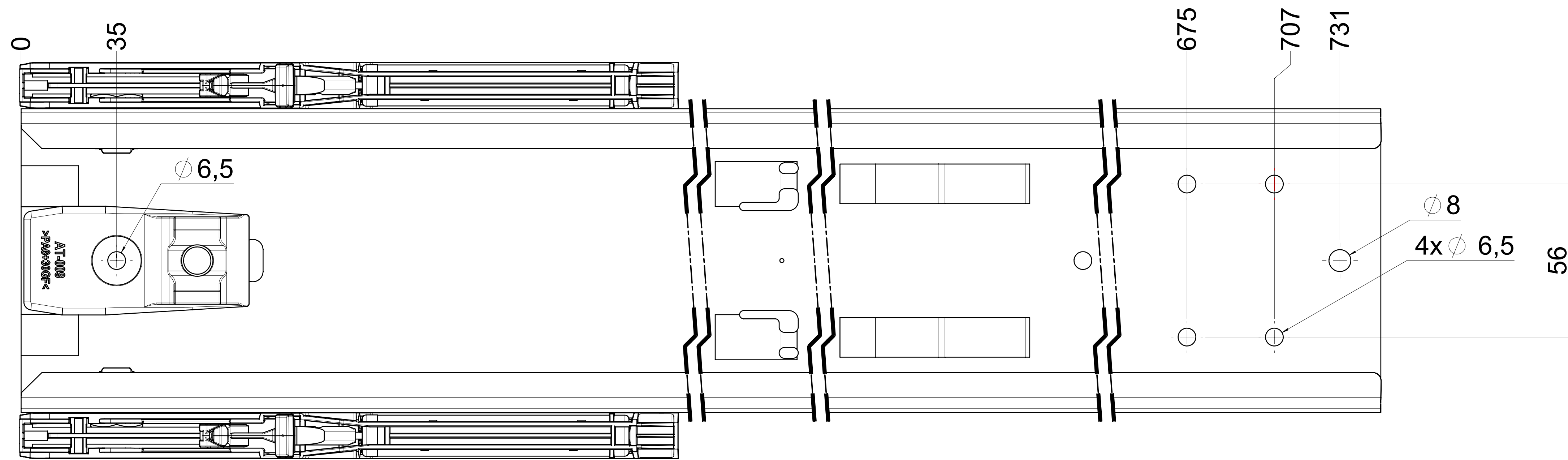
top guide drawer profile



bottom guide drawer profile



bottom guide cabinet profile



final approval

customer name:

signed by:

date:

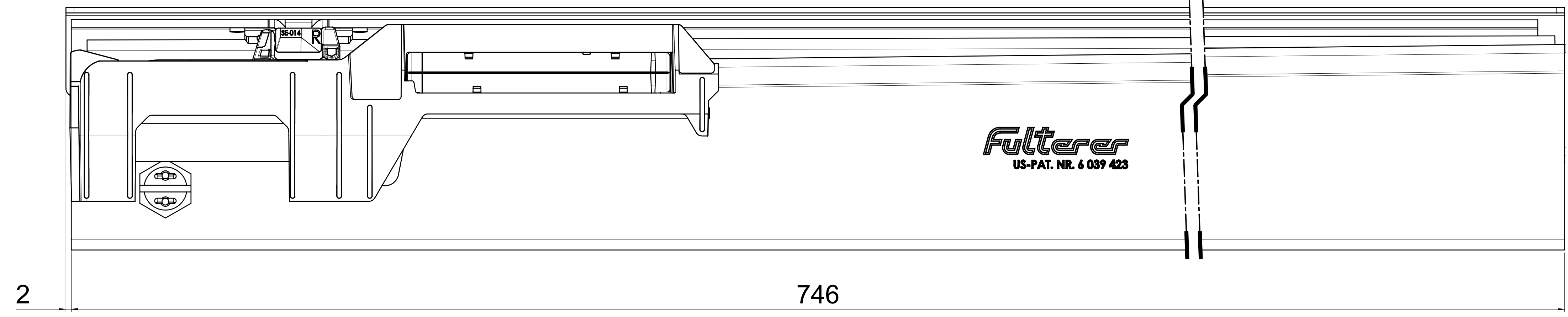
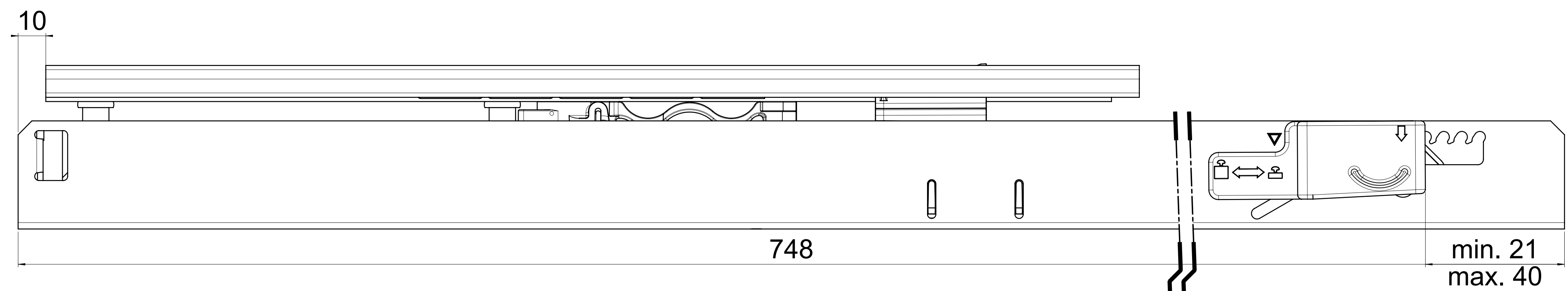
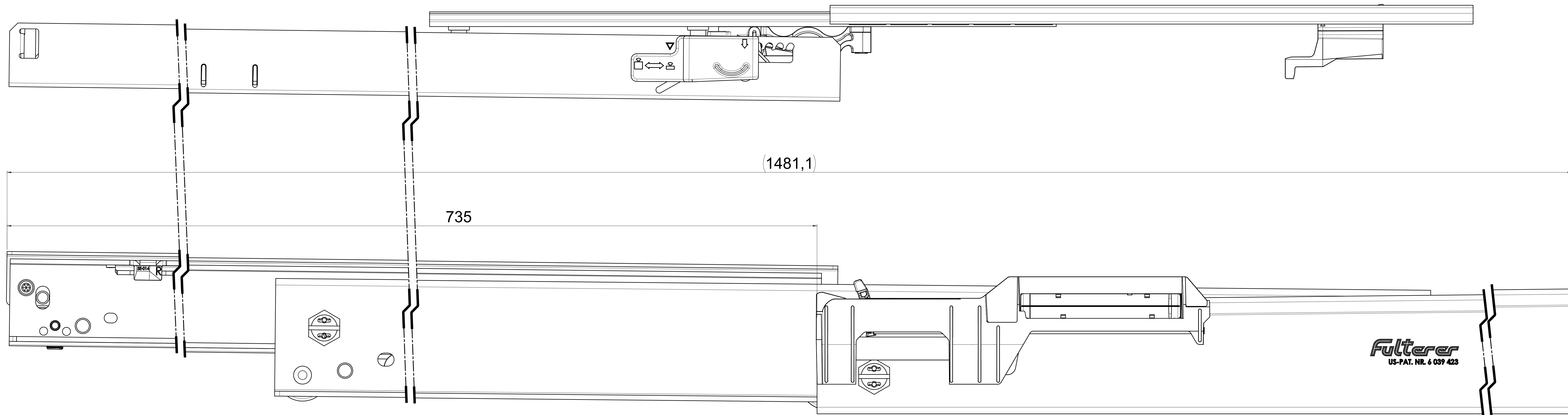
all dimensions in mm

DIN ISO 128-30
missing dimensions see 3D
= theor. intersection

This drawing remains our property and may not be multiplied neither be disclosed to third parties (§§1,3 and 5 from the copyright Act (UrhG)) covered according to DIN ISO 15015		scale:	surface:	material, semi finished parts:	AO
drawn	date	name	description:	FR 777A / 75 EN (mm)	
proven	date	name	description:	progressive-action full-extension drawerslide / bottom mount	
			drawing number:	777A.750-GA.0000	
Filterer AG & Co KG A-6890 Lustenau / Austria Filterer AG CH-8430 St. Margrethen			replaces version date:		
changes	date	na.			

dimensions without coating / maximum coating allowed 0.1mm

X



2

final approval

customer name: _____

signed by: _____

date: _____

page 2 of 2

<p>all dimensions in mm</p> <p>This drawing remains our property and may not be disclosed to third parties (§§1,3 and 5 from the copyright Act (UrHG)) covered according to DIN ISO 16016</p>		<p>DIN ISO 128-30 missing dimensions see 3D = theor. intersection</p>
<p>scale: 1:1</p>	<p>surface: steel (technical requirements Filterer)</p>	<p>material: semi finished parts AO</p>
<p>drawn: 21-11-2021 proven: 00-00-0000</p>	<p>date: _____ name: _____ GB 00</p>	<p>description: FR 777A / 75 EN (mm) progressive-action full-extension drawerslide / bottom mount</p>
<p>Filterer AG & Co KG A-6800 Lustenau / Austria CH-8430 St. Margrethen</p>	<p>Filterer AG</p>	<p>drawing number: 777A.750-GA.0000 replaces version 03/16</p>
<p>changes</p>	<p>date</p>	<p>na</p>

⚠ = check dimension, next free check number