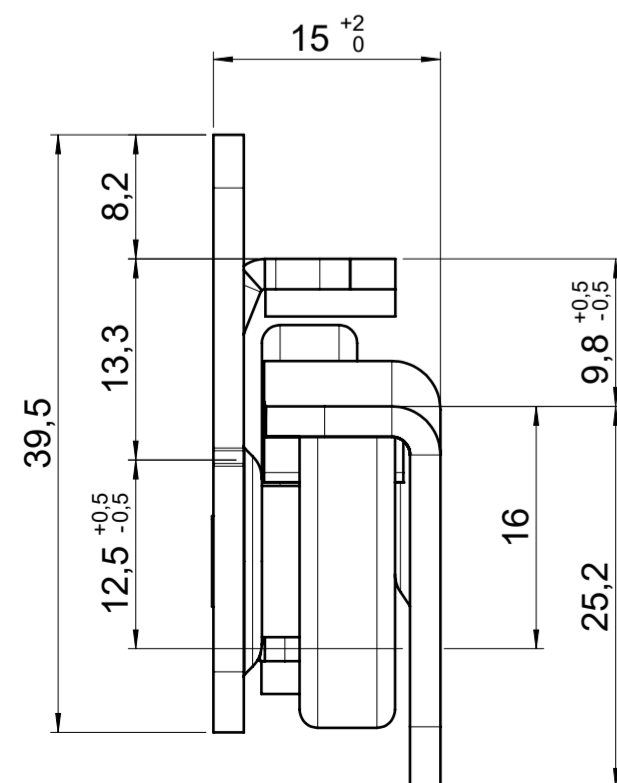
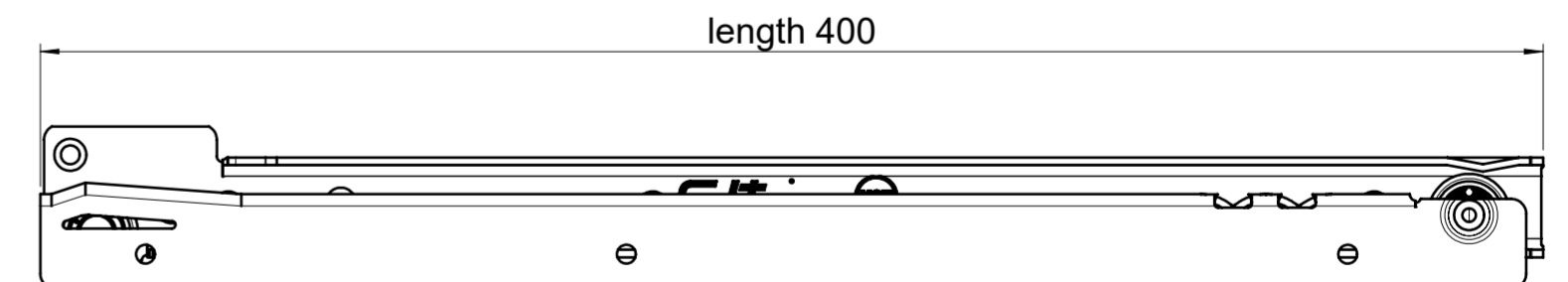
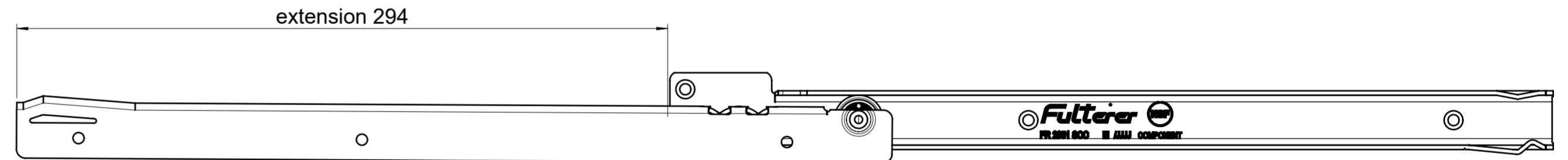
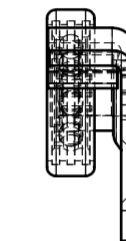
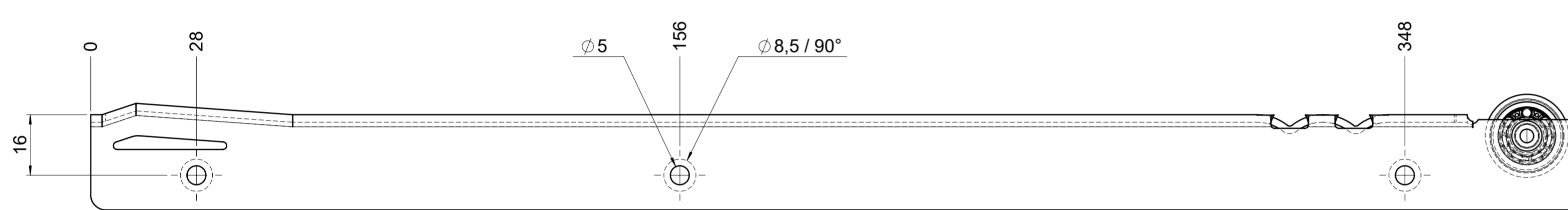
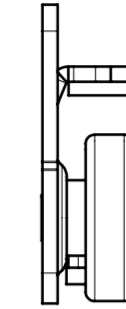
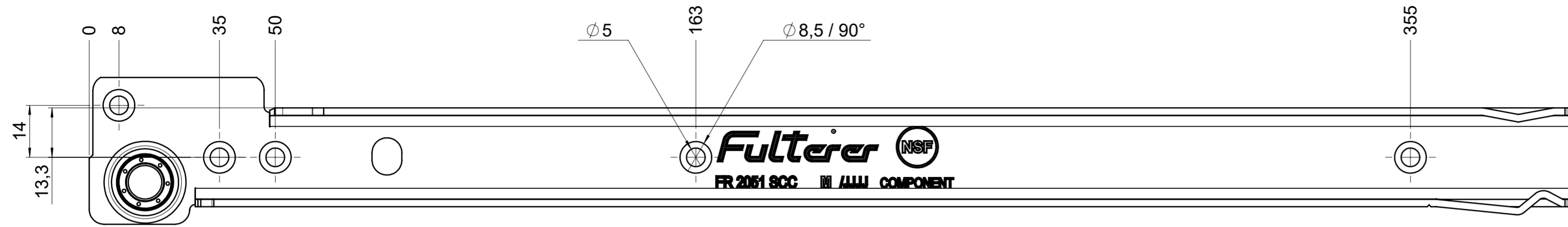


drawn left



final approval

customer name:

signed by:

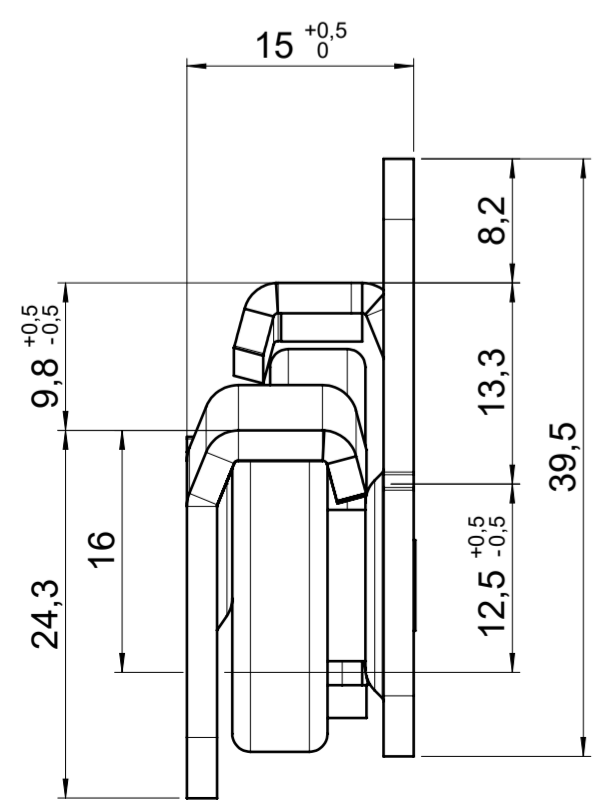
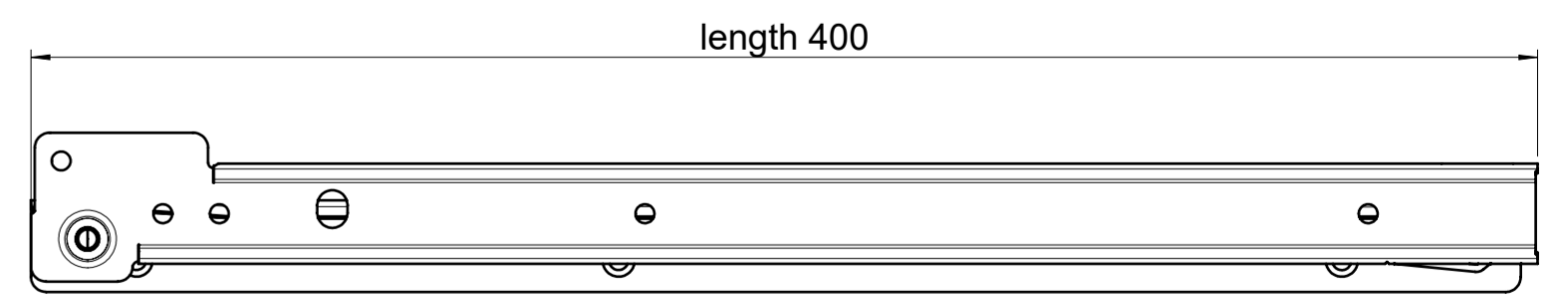
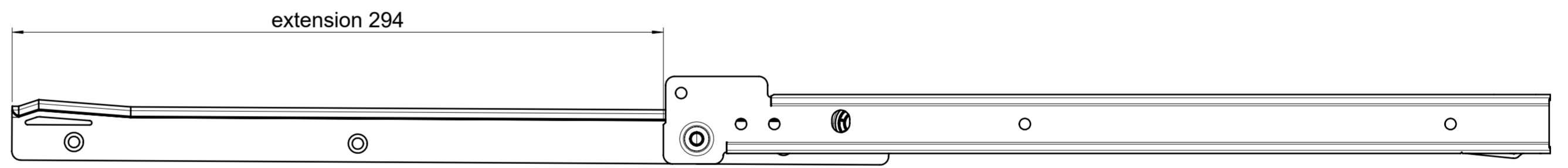
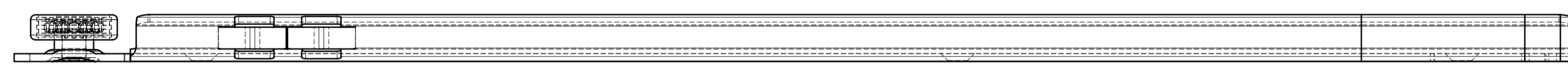
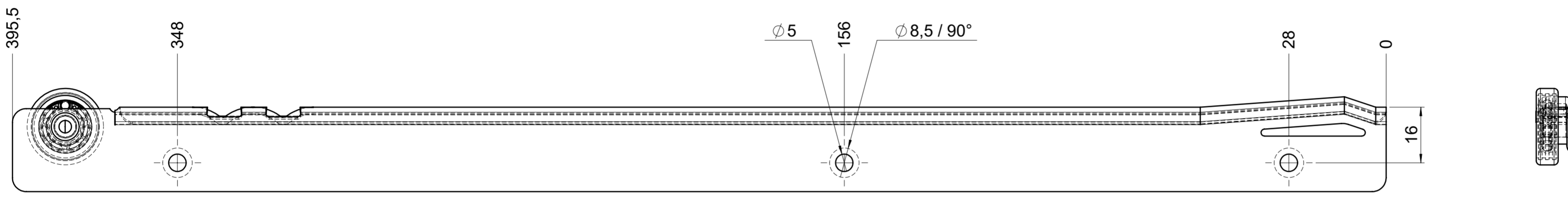
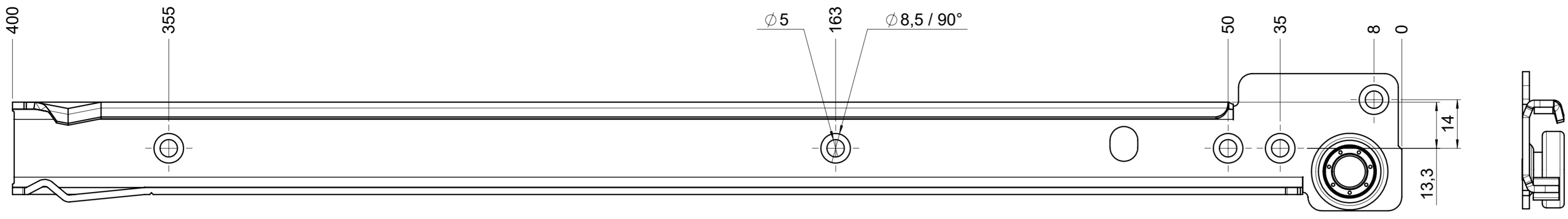
date:

all dimensions in mm

DIN ISO 128-30
missing dimensions see 3D
= theor. intersection

This drawing remains our property and may not be multiplied neither be disclosed to third parties (§§1,3 and 5 from the copyright Act (UrhG)) covered according to DIN ISO 16016				scale: 1:1	surface:	material, semi finished parts: CS (technical requirements Fulterer)	
(k)				drawn	date	name	
(l)				01-02-2023	ex		
(h)				proven	01-03-2023	pr	
(g)				Fulterer		description: FR 1051 / 40 CS EN (mm) regular-extension drawerside / side mount	
(f)							
(e)							
(d)							
(c)							
(b)				drawing number: CS# 1051.400-GA.0000.li		replaces version date:	
(a)				drawing number: CH-9430 St. Margrethen			
ind.	changes	date	na.				

drawn right



final approval

customer name:

signed by:

date:

all dimensions in mm				DIN ISO 128-30 missing dimensions see 3D = theor. intersection	
This drawing remains our property and may not be multiplied neither be disclosed to third parties (§§1,3 and 5 from the copyright Act (UrhG)) covered according to DIN ISO 16016					
scale: 1:1		surface:		material, semi finished parts: CS (technical requirements Fulterer)	
drawn 01-02-2023		date 01-02-2023		name ex	
proven 01-03-2023		date 01-03-2023		name pr	
				description: FR 1051 / 40 CS EN (mm) regular-extension drawerside / side mount	
Fulterer AG & Co KG A-6890 Lustenau / Austria Fulterer AG CH-9430 St. Margrethen				drawing number: CS# 1051.400-GA.0000.re	
ind. changes				date na.	
replaces version date:					