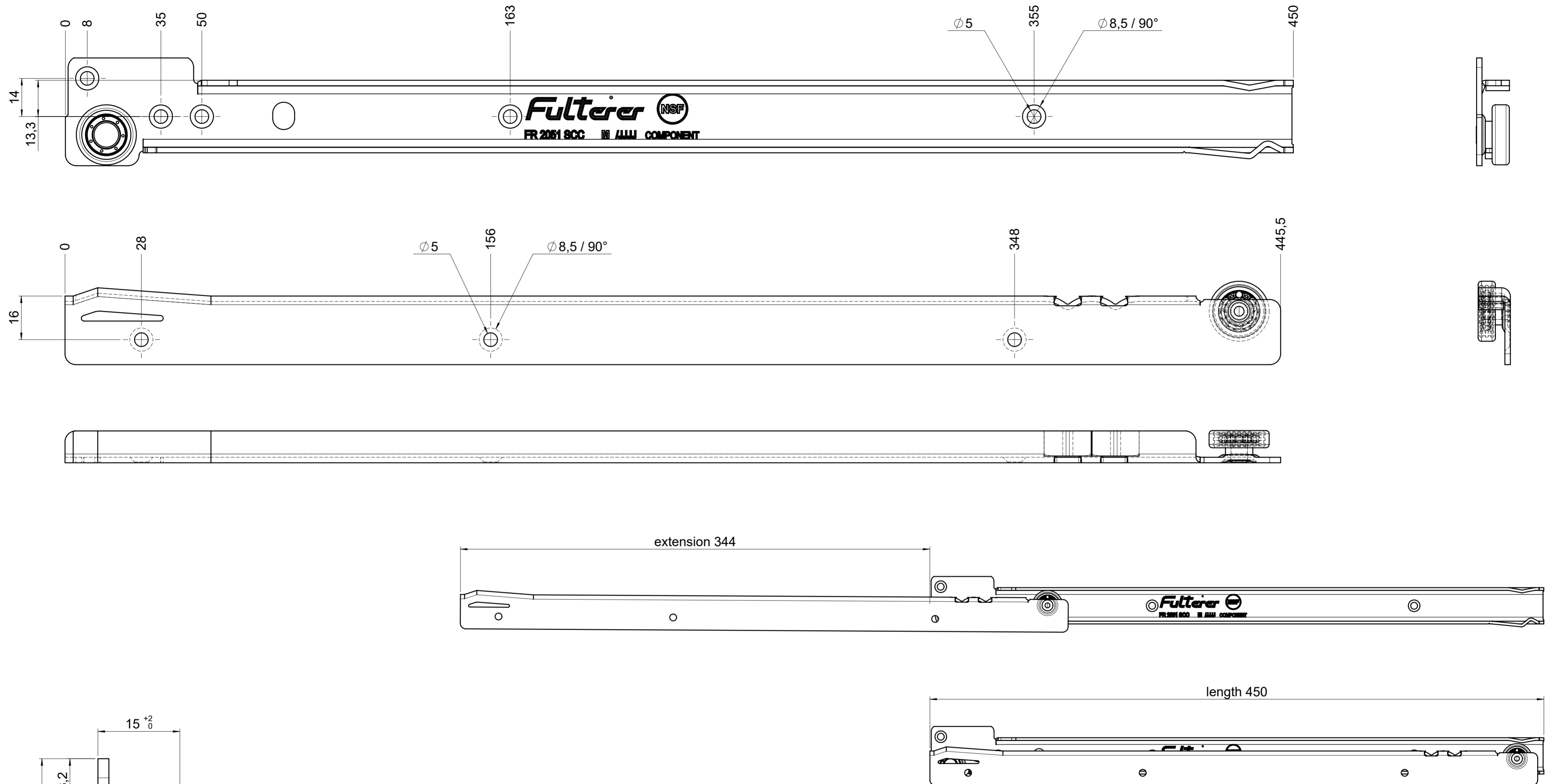


drawn left



**final approval**

customer name:

signed by:

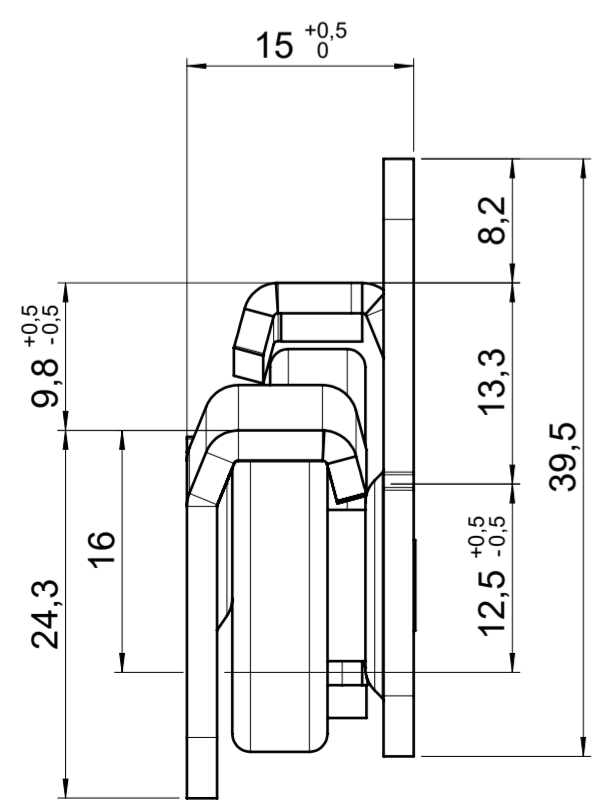
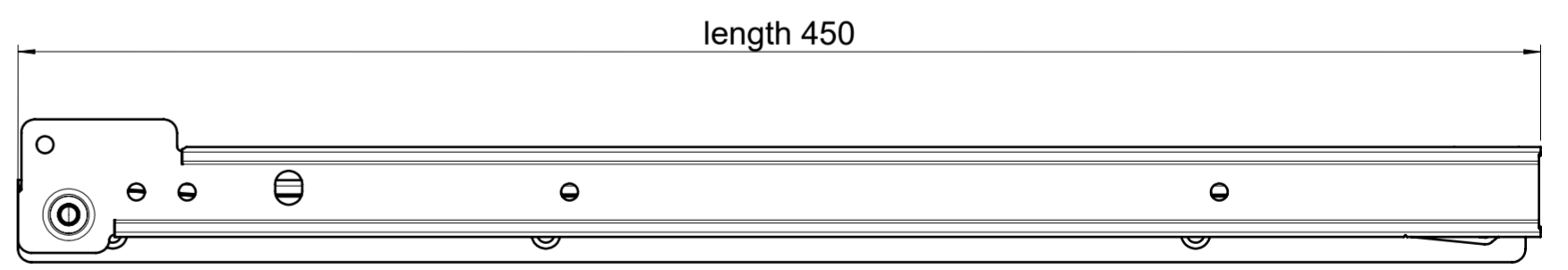
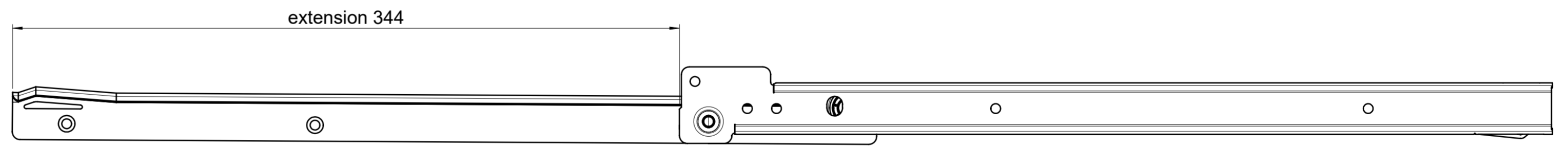
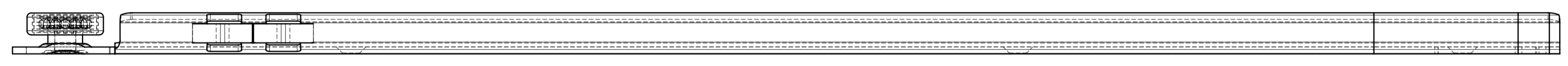
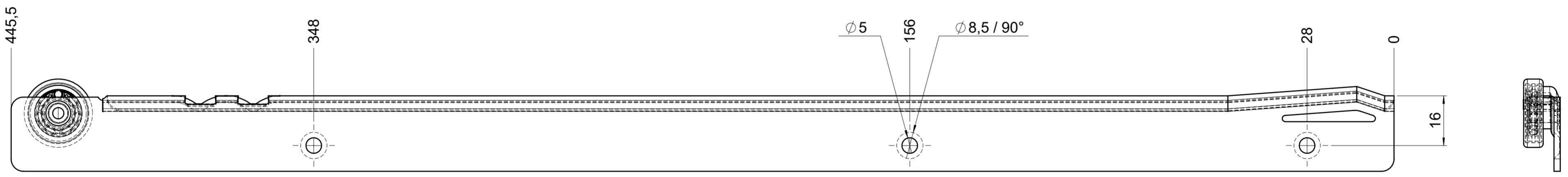
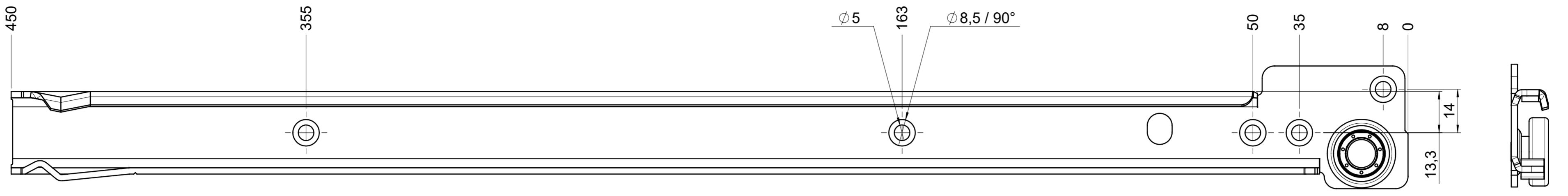
date:

**all dimensions in mm**

DIN ISO 128-30  
missing dimensions see 3D  
= theor. intersection

This drawing remains our property and may not be multiplied neither be disclosed to third parties (§§1,3 and 5 from the copyright Act (UrhG)) covered according to DIN ISO 16016				scale:	surface:	material, semi finished parts: CS (technical requirements Fulterer)
		1:1				
(k)				date	name	description: FR 1051 / 45 CS EN (mm) regular-extension drawerside / side mount
(l)				drawn 01-02-2023	ex	
(h)				proven 01-03-2023	pr	
(g)						
(f)						
(e)				Fulterer AG & Co KG		drawing number: CS# 1051.450-GA.0000.li
(d)				A-6890 Lustenau / Austria		
(c)				Fulterer AG		
(b)				CH-9430 St. Margrethen		replaces version date:
(a)						
ind.	changes	date	na.			

drawn right



**final approval**

customer name:

signed by:

date:

all dimensions in mm				DIN ISO 128-30 missing dimensions see 3D = theor. intersection	
This drawing remains our property and may not be multiplied neither be disclosed to third parties (§§1,3 and 5 from the copyright Act (UrhG)) covered according to DIN ISO 16016					
scale: 1:1		surface:		material, semi finished parts: CS (technical requirements Fulterer)	
drawn	date	name	ex	description:	
proven	01-02-2023		pr	FR 1051 / 45 CS EN (mm) regular-extension drawerslide / side mount	
				drawing number:	
Fulterer AG & Co KG A-6890 Lustenau / Austria Fulterer AG CH-9430 St. Margrethen				<b>CS# 1051.450-GA.0000.re</b> replaces version date:	
ind.	changes	date	na.		