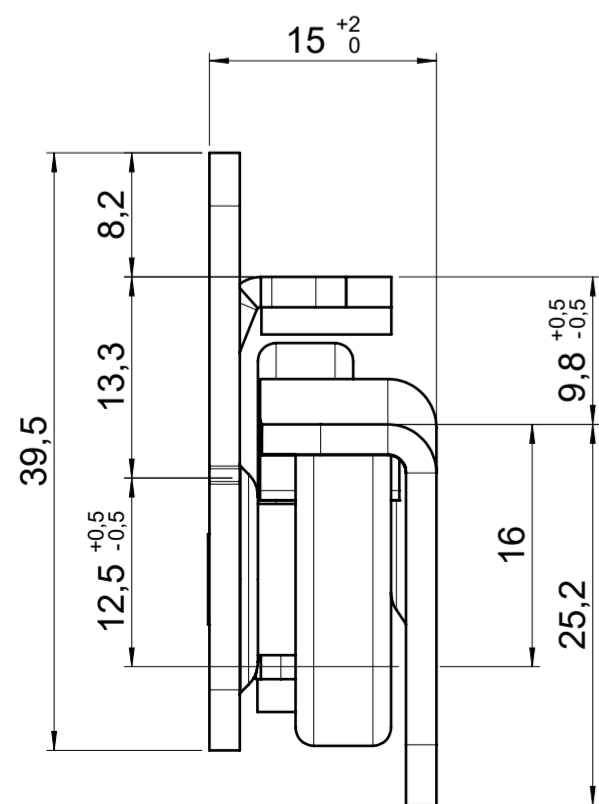
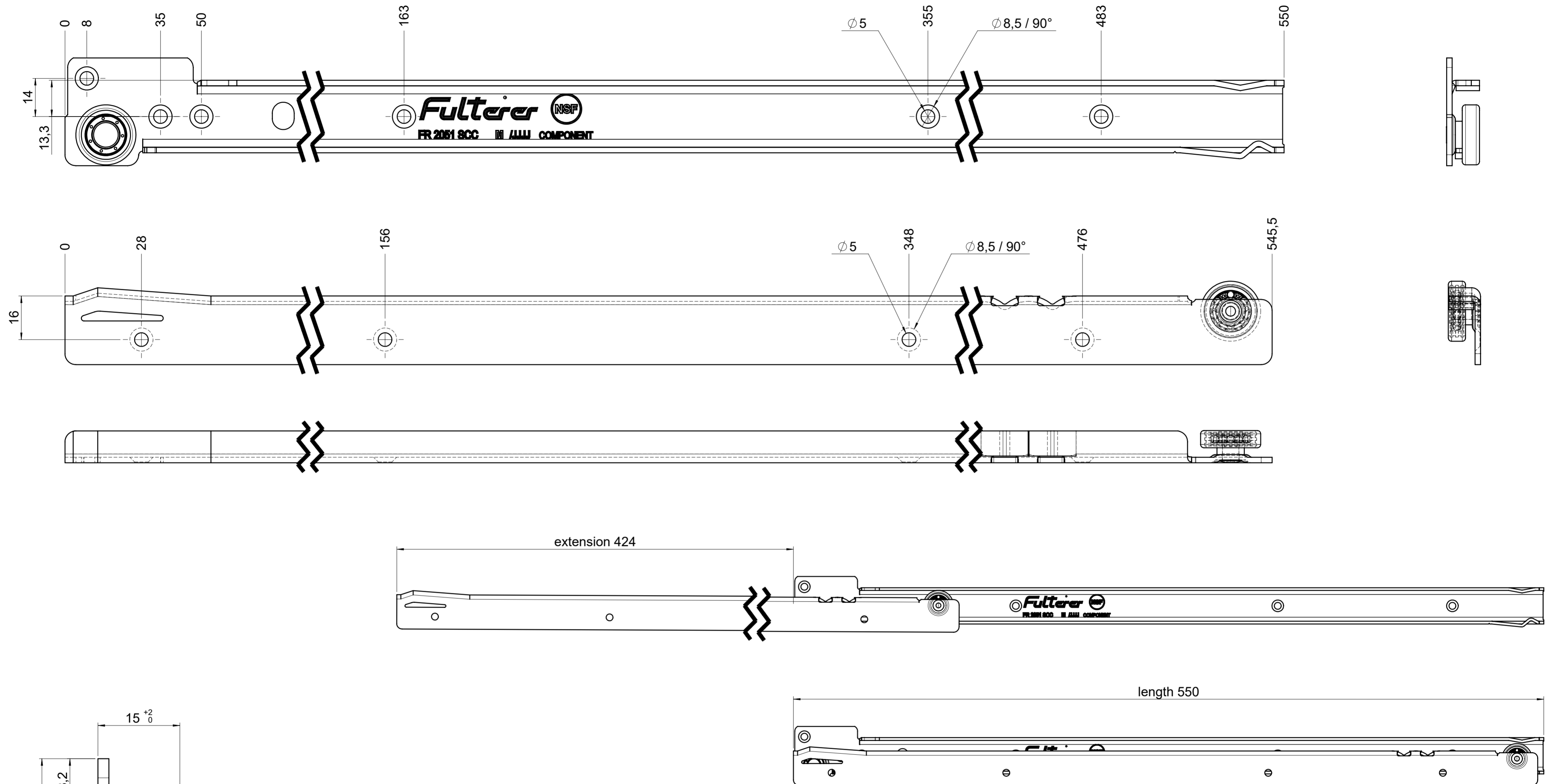


drawn left



final approval

customer name:

signed by:

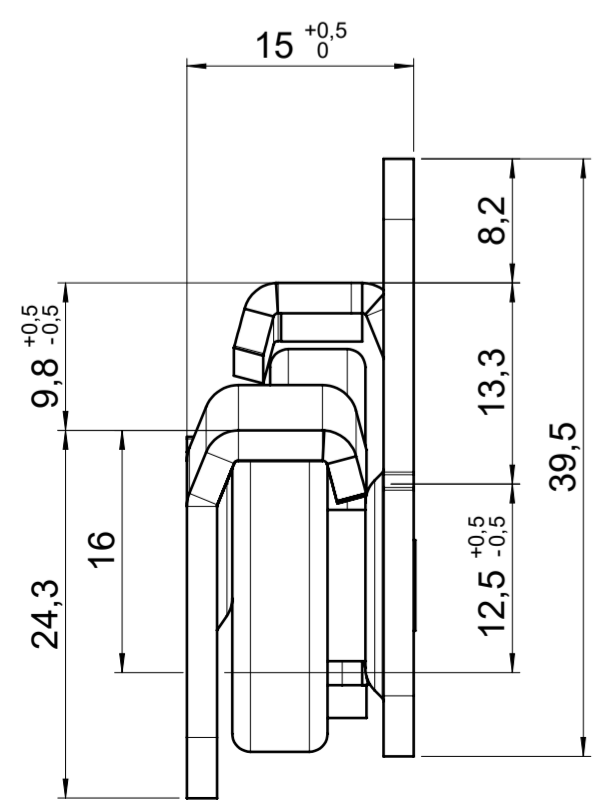
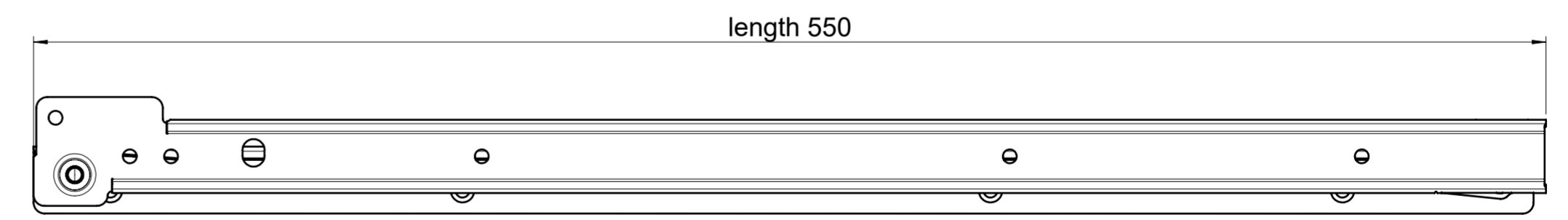
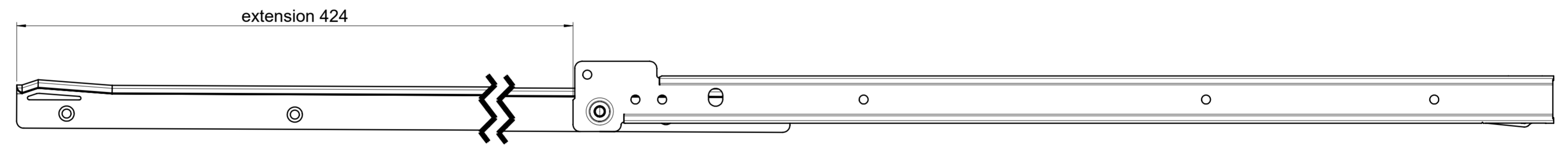
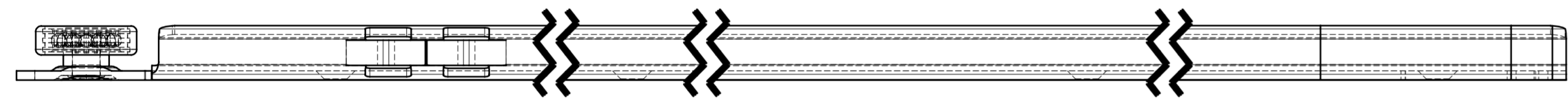
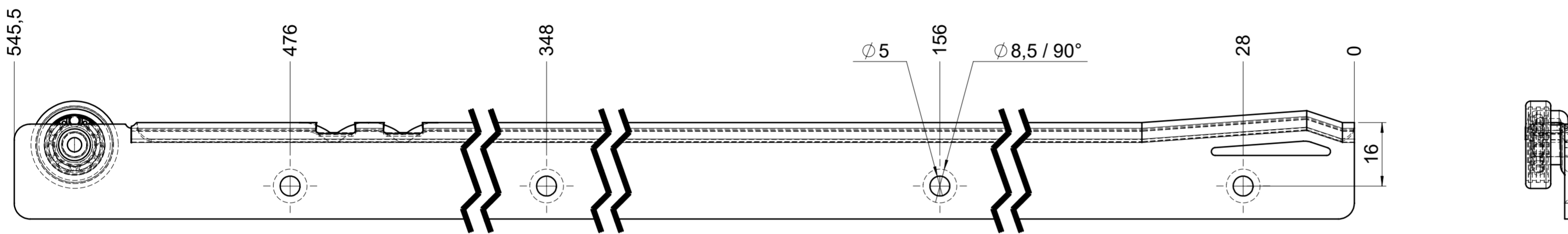
date:

all dimensions in mm

DIN ISO 128-30
missing dimensions see 3D
= theor. intersection

This drawing remains our property and may not be multiplied neither be disclosed to third parties (§§1,3 and 5 from the copyright Act (UrhG)) covered according to DIN ISO 16016				scale: 1:1	surface:	material, semi finished parts: CS (technical requirements Fulterer)	A2
(k)				drawn	date	name	description: FR 1051 / 55 CS EN (mm) regular-extension drawerside / side mount
(l)				proven	01-02-2023	ex	
(h)					01-03-2023	pr	
(g)							drawing number: CS# 1051.550-GA.0000.li
(f)							
(e)				Fulterer AG & Co KG A-6890 Lustenau / Austria			replaces version date:
(d)				Fulterer AG CH-9430 St. Margrethen			
(c)				ind.	changes	date	na.
(b)							
(a)							

drawn right



final approval

customer name:

signed by:

date:

all dimensions in mm				DIN ISO 128-30 missing dimensions see 3D = theor. intersection	
This drawing remains our property and may not be multiplied neither be disclosed to third parties (§§1,3 and 5 from the copyright Act (UrhG)) covered according to DIN ISO 16016					
scale: 1:1		surface:		material, semi finished parts: CS (technical requirements Fulterer)	
drawn	date	name		description:	
proven	01-02-2023	ex		FR 1051 / 55 CS EN (mm)	
		pr		regular-extension drawerside / side mount	
				drawing number:	
				CS# 1051.550-GA.0000.re	
Fulterer AG & Co KG A-6890 Lustenau / Austria Fulterer AG CH-9430 St. Margrethen				replaces version date:	
ind.	changes	date	na.		