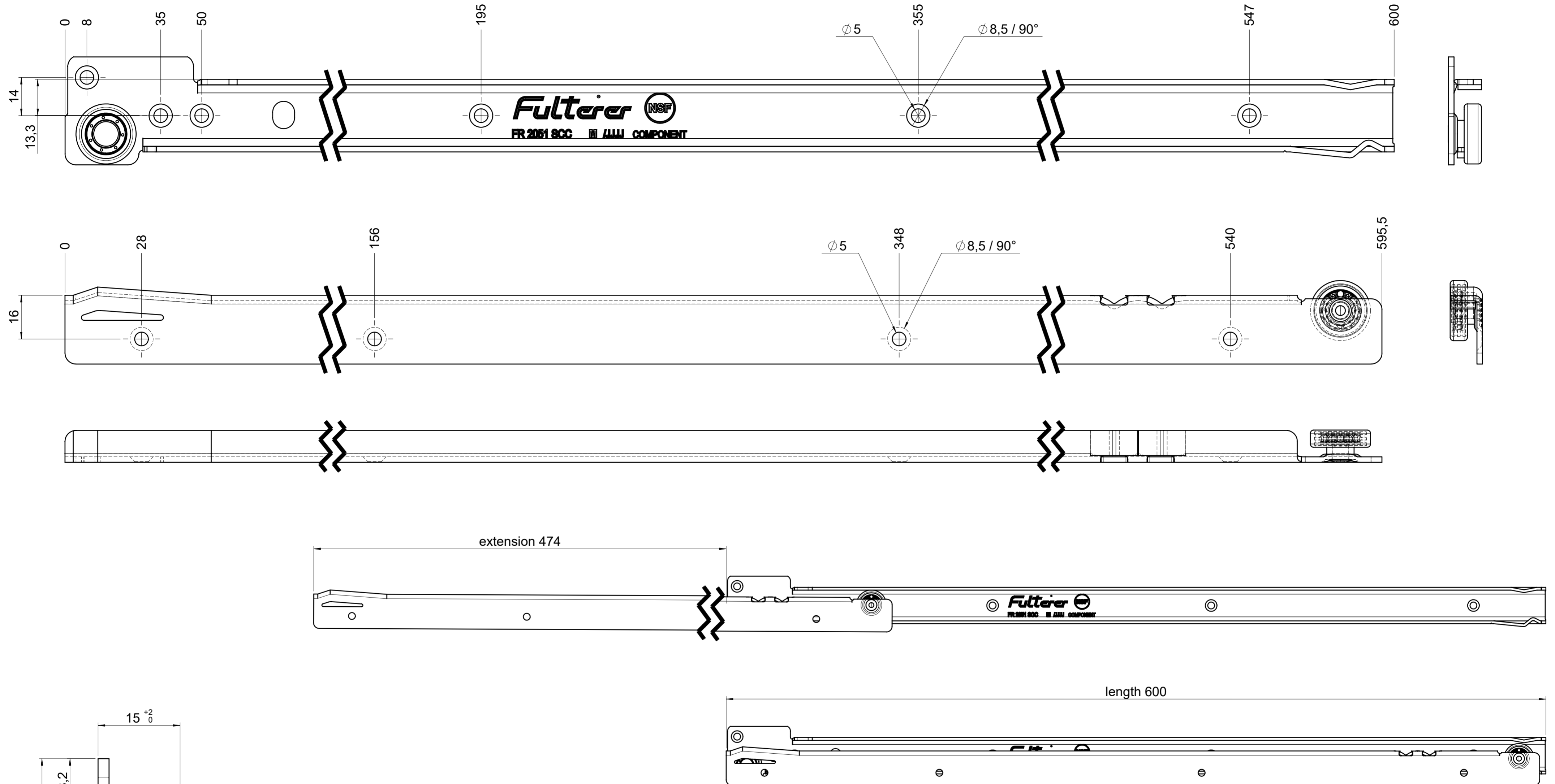


drawn left



final approval

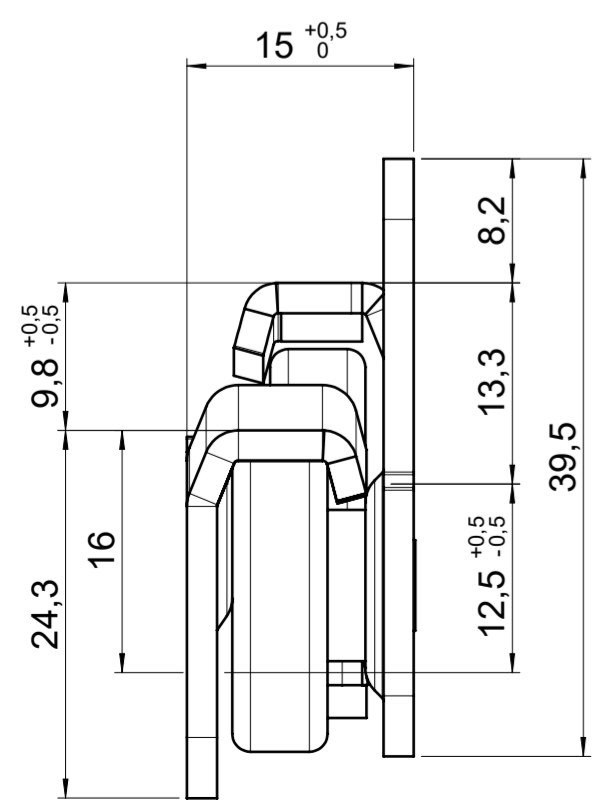
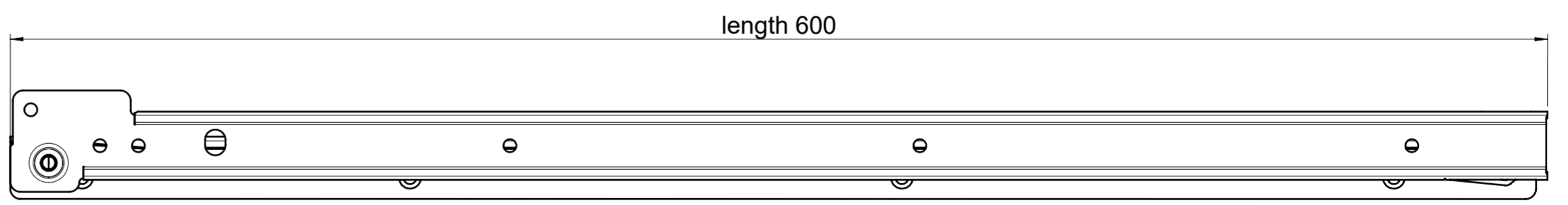
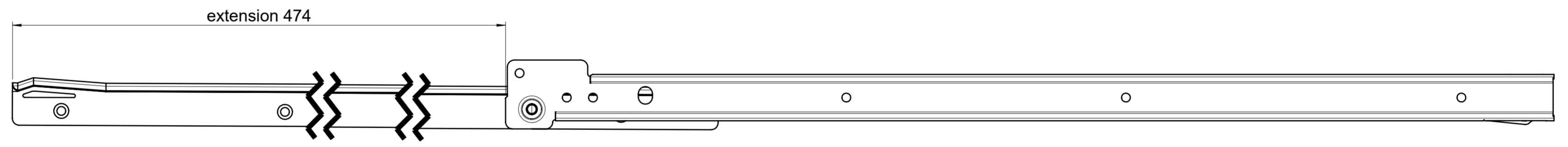
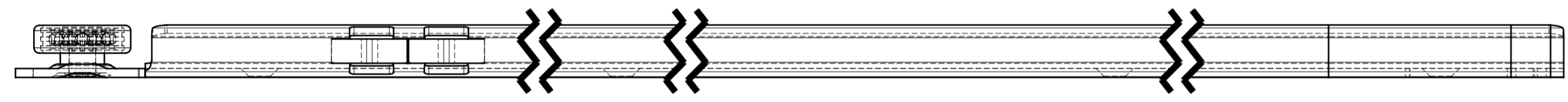
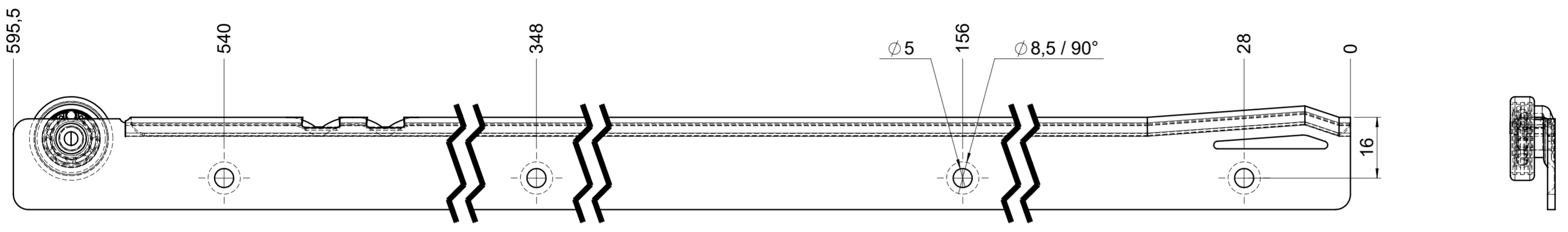
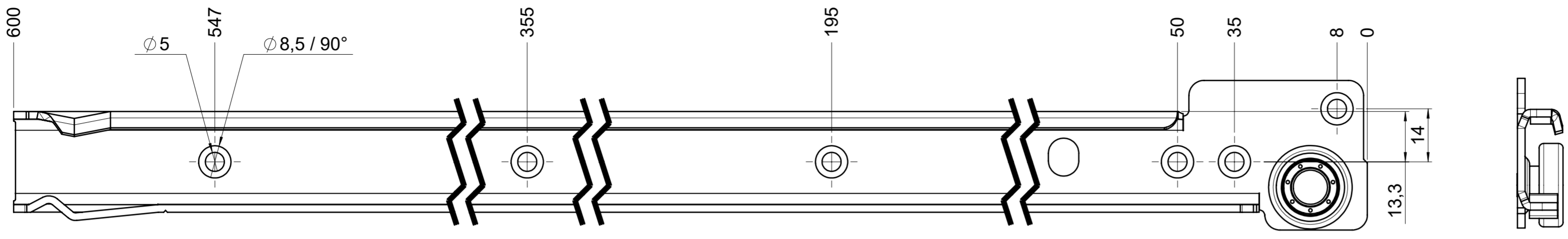
customer name:

signed by:

date:

all dimensions in mm				DIN ISO 128-30 missing dimensions see 3D = theor. intersection	
This drawing remains our property and may not be multiplied neither be disclosed to third parties (§§1,3 and 5 from the copyright Act (UrhG)) covered according to DIN ISO 16016					
scale:		surface:		material, semi finished parts: A2	
1:1				CS (technical requirements Fulterer)	
drawn	date	name	description:		
proven	01-02-2023	ex	FR 1051 / 60 CS EN (mm)		
	01-03-2023	pr	regular-extension drawerside / side mount		
Fulterer			drawing number:		
Fulterer AG & Co KG A-6890 Lustenau / Austria			CS# 1051.600-GA.0000.li		
Fulterer AG CH-9430 St. Margrethen			replaces version date:		
ind.	changes	date	na.		

drawn right



final approval

customer name:

signed by:

date:

all dimensions in mm				DIN ISO 128-30 missing dimensions see 3D = theor. intersection	
This drawing remains our property and may not be multiplied neither be disclosed to third parties (§§1,3 and 5 from the copyright Act (UrhG)) covered according to DIN ISO 16016					
scale: 1:1		surface:		material, semi finished parts: CS (technical requirements Fulterer)	
drawn	01-02-2023	date	name	description: FR 1051 / 60 CS EN (mm) regular-extension drawerside / side mount	
proven	01-03-2023	date	pr	drawing number: CS# 1051.600-GA.0000.re	
				replaces version date:	
ind.	changes	date	na.		