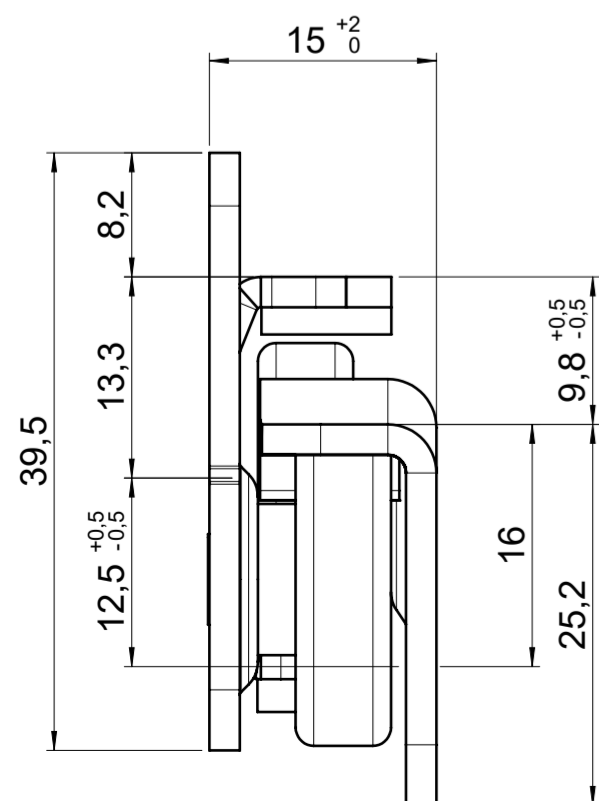
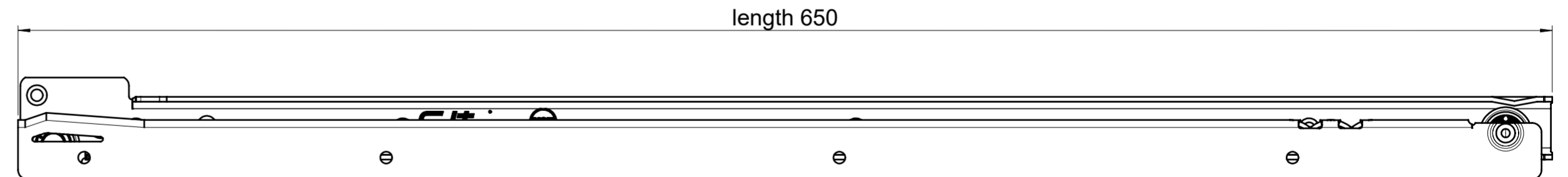
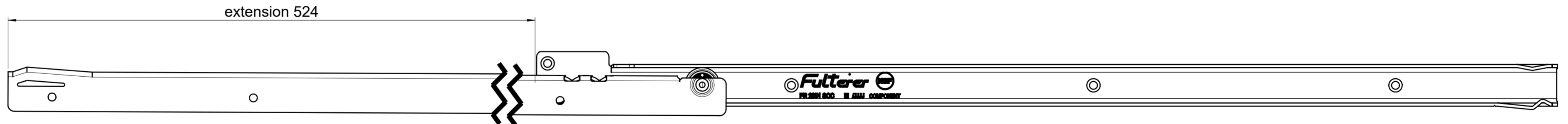
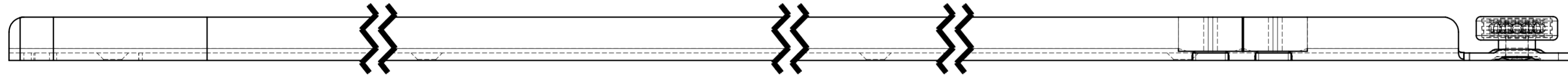
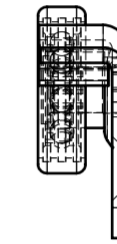
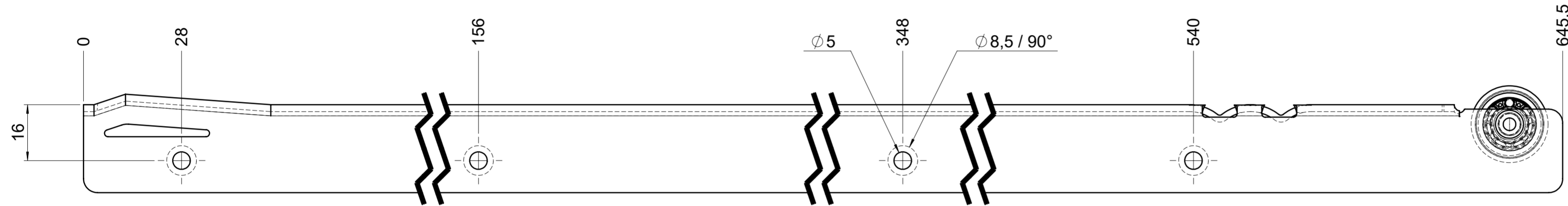
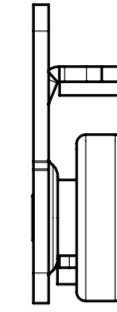
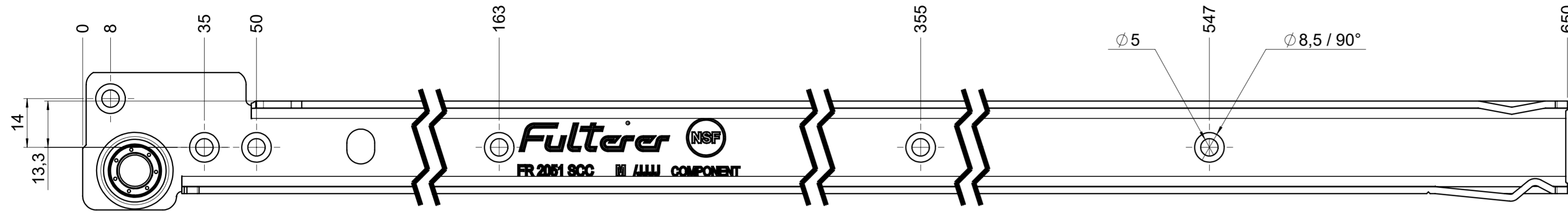


drawn left



final approval

customer name:

signed by:

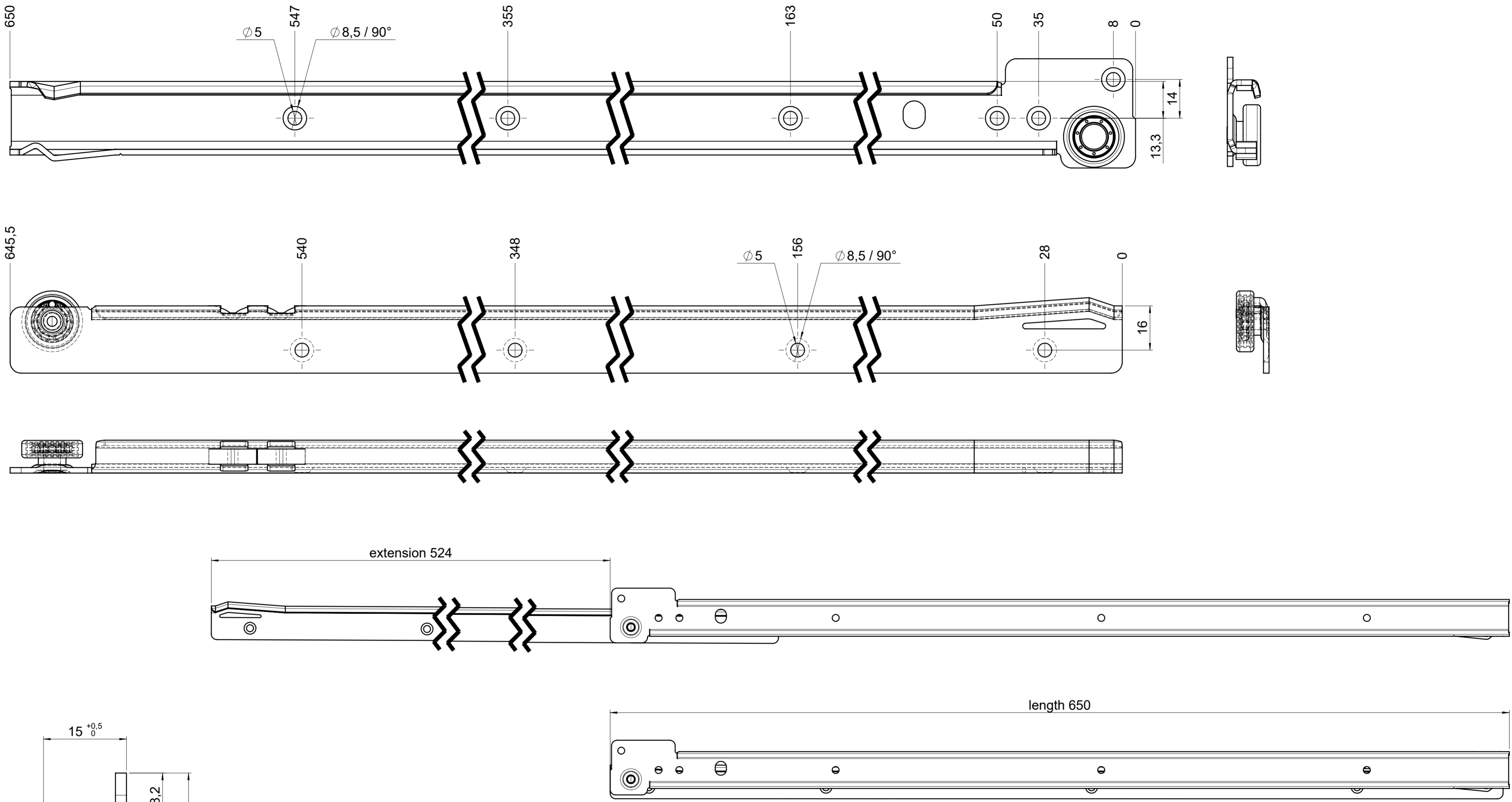
date:

all dimensions in mm

DIN ISO 128-30
missing dimensions see 3D
= theor. intersection

This drawing remains our property and may not be multiplied neither be disclosed to third parties (§§1,3 and 5 from the copyright Act (UrhG)) covered according to DIN ISO 16016				scale: 1:1	surface:	material, semi finished parts: CS (technical requirements Fulterer)
(k)				date	name	description: FR 1051 / 65 CS EN (mm) regular-extension drawerside / side mount
(l)				drawn 01-02-2023	ex	
(h)				proven 01-03-2023	pr	
(g)				Fulterer		drawing number: CS# 1051.650-GA.0000.li replaces version date:
(f)				Fulterer AG & Co KG A-6890 Lustenau / Austria		
(e)				Fulterer AG CH-9430 St. Margrethen		
(d)						
(c)						
(b)						
(a)						
ind.	changes	date	na.			

drawn right



final approval

customer name:

signed by:

date:

all dimensions in mm				DIN ISO 128-30 missing dimensions see 3D = theor. intersection	
This drawing remains our property and may not be multiplied neither be disclosed to third parties (§§1,3 and 5 from the copyright Act (UrhG)) covered according to DIN ISO 16016					
scale: 1:1		surface:		material, semi finished parts: CS (technical requirements Fulterer)	
drawn	date	name	ex	description:	
proven	01-02-2023		pr	FR 1051 / 65 CS EN (mm) regular-extension drawerside / side mount	
				drawing number:	
Fulterer AG & Co KG A-6890 Lustenau / Austria Fulterer AG CH-9430 St. Margrethen				CS# 1051.650-GA.0000.re replaces version date:	
ind.	changes	date	na.		