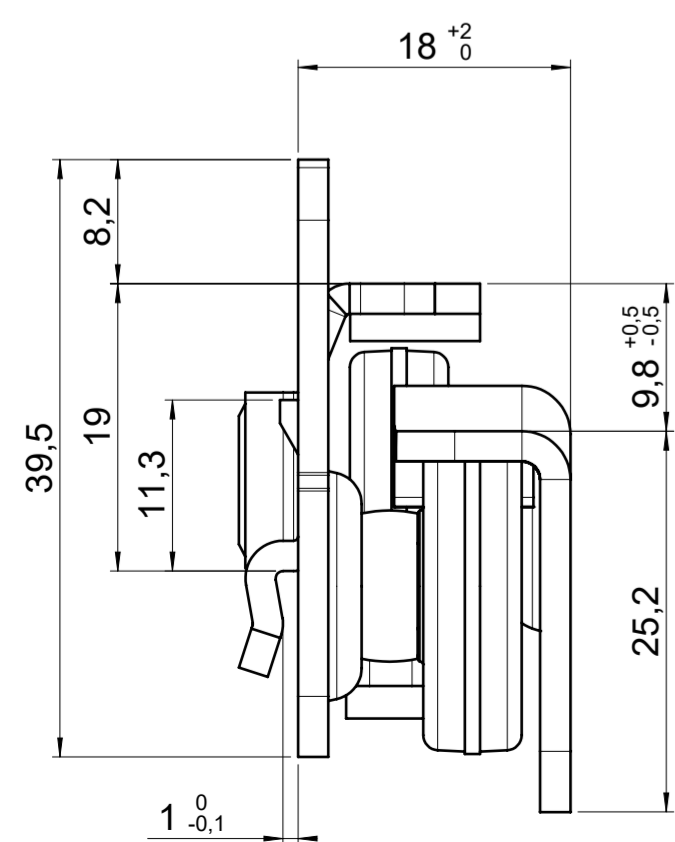
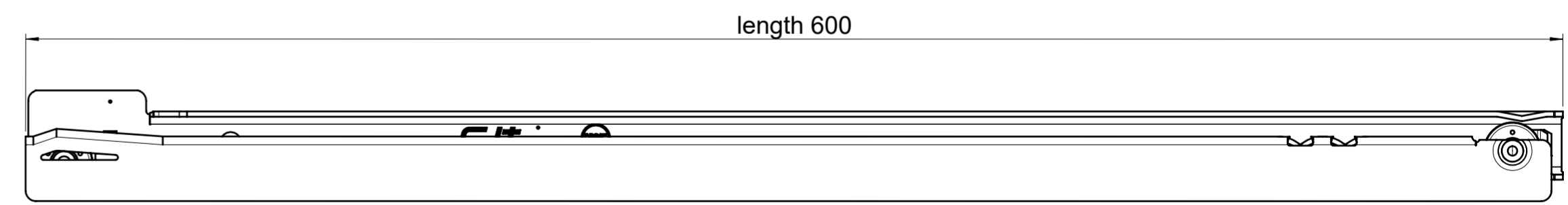
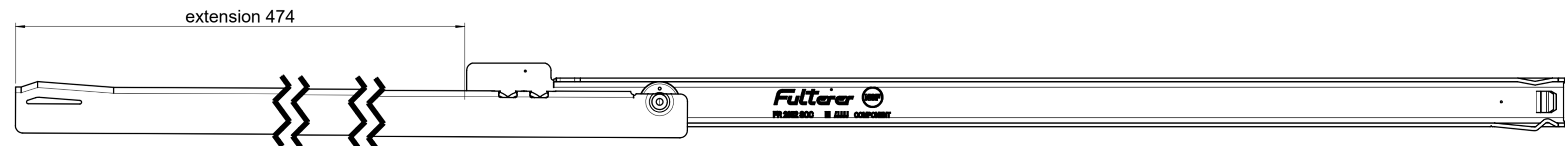
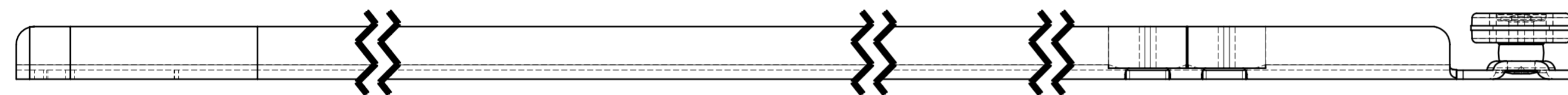
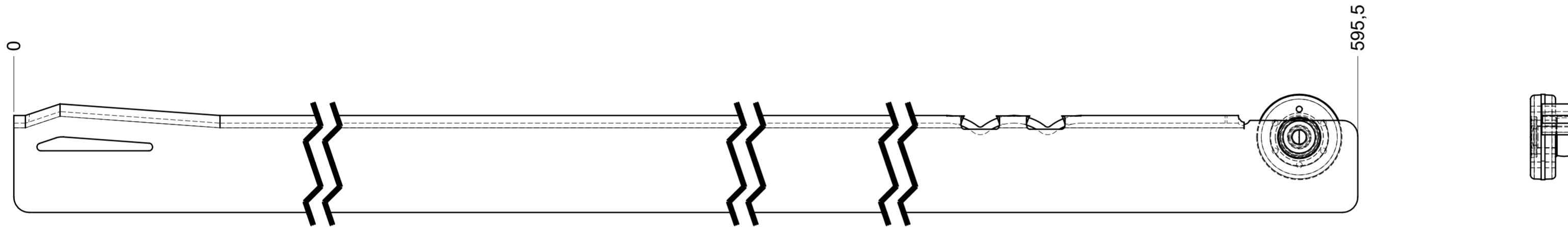
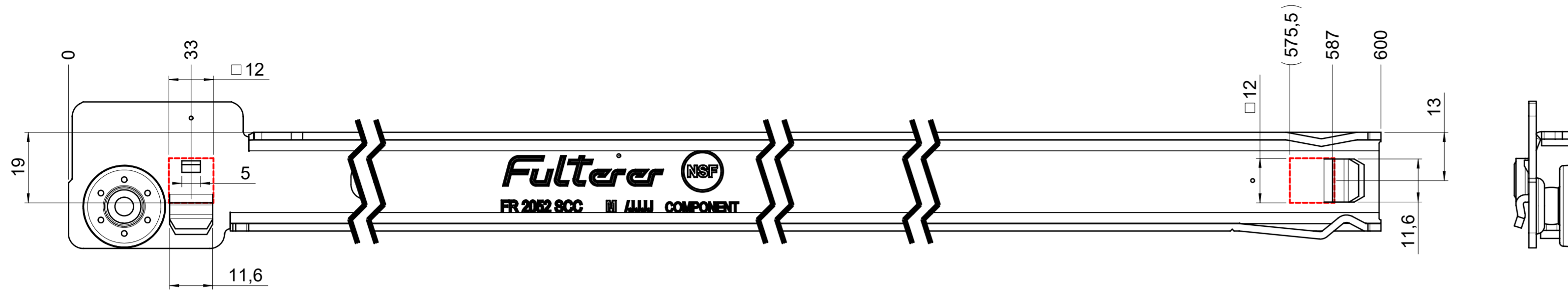


drawn left



**final approval**

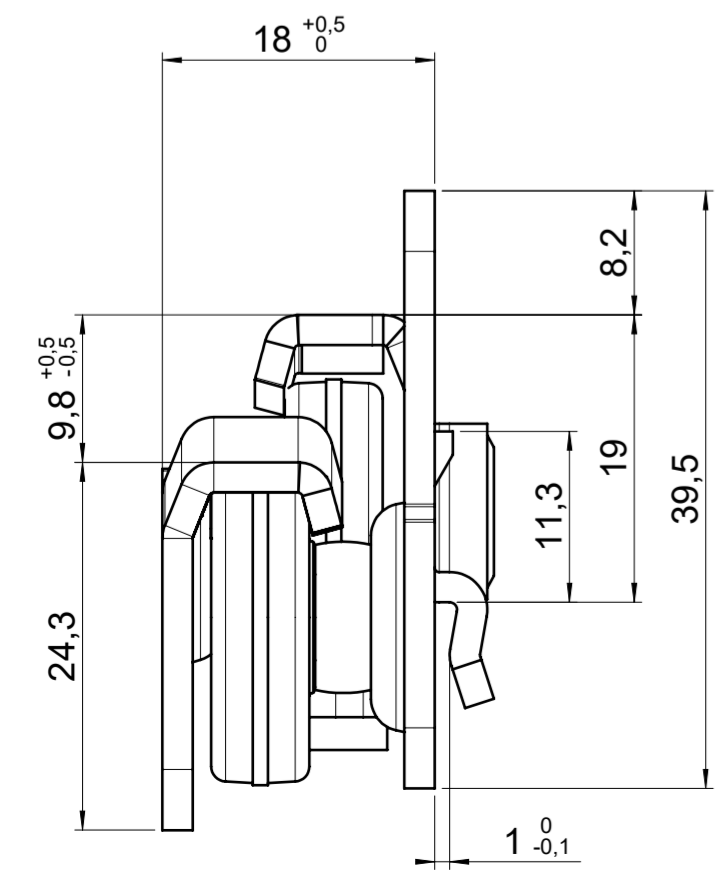
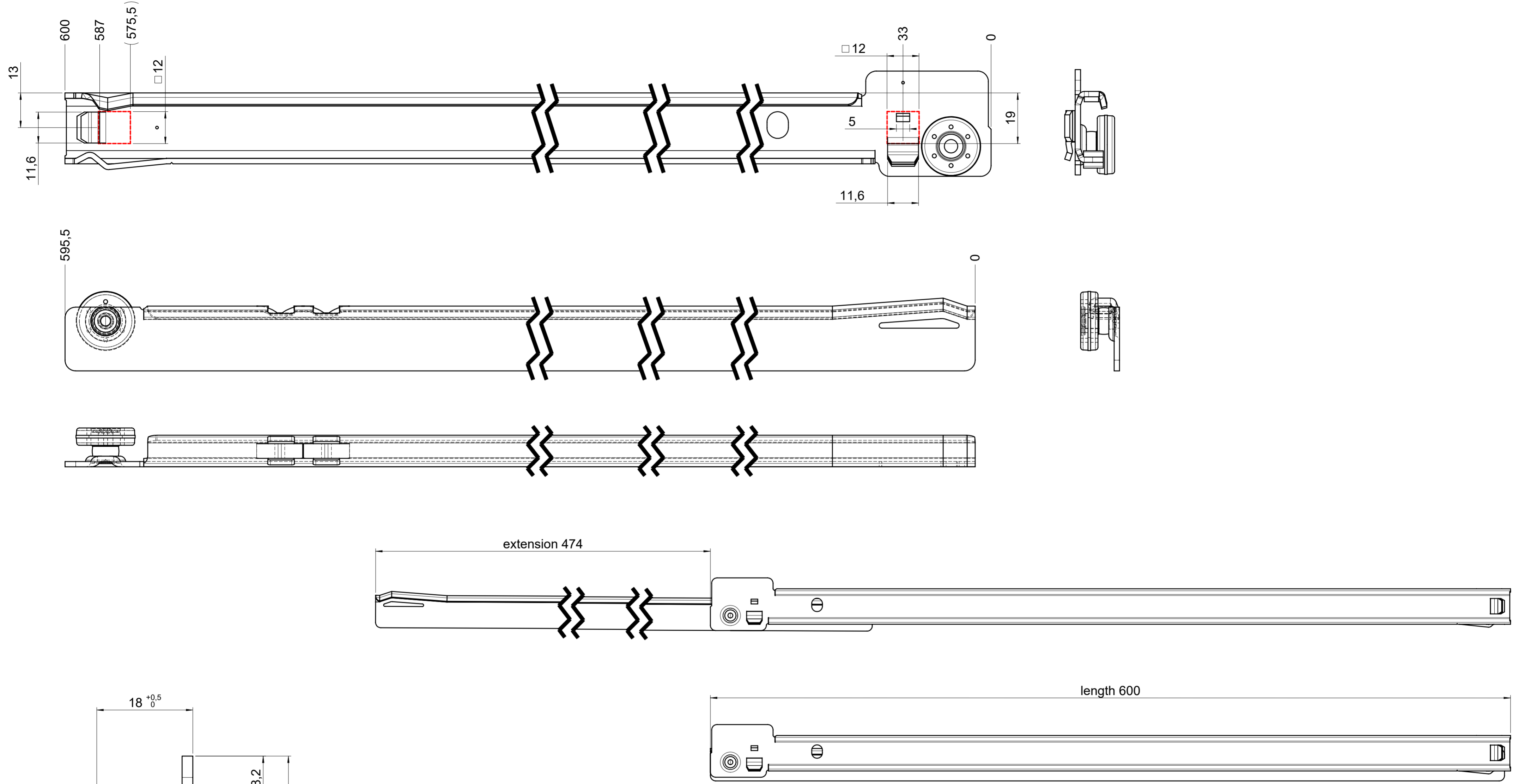
customer name:

signed by:

date:

all dimensions in mm				DIN ISO 128-30 missing dimensions see 3D = theor. intersection	
This drawing remains our property and may not be multiplied neither be disclosed to third parties (§§1,3 and 5 from the copyright Act (UrhG)) covered according to DIN ISO 16016					
scale: 1:1		surface:		material, semi finished parts: CS (technical requirements Fulterer)	
drawn	date	name	ex	description:	
proven	01-02-2023	ex	pr	FR 1052 / 60 CS EN (mm) regular-extension drawerside / side mount	
				drawing number:	
Fulterer AG & Co KG A-6890 Lustenau / Austria Fulterer AG CH-9430 St. Margrethen				<b>CS# 1052.600-GA.L032.li</b> replaces version date:	
ind.	changes	date	na.	A2	

drawn right



**final approval**

customer name:

signed by:

date:

all dimensions in mm				DIN ISO 128-30 missing dimensions see 3D = theor. intersection	
This drawing remains our property and may not be multiplied neither be disclosed to third parties (§§1,3 and 5 from the copyright Act (UrhG)) covered according to DIN ISO 16016					
scale: 1:1		surface:		material, semi finished parts: CS (technical requirements Fulterer)	
drawn	date	name		description:	
proven	01-02-2023	ex		FR 1052 / 60 CS EN (mm)	
	01-03-2023	pr		regular-extension drawerside / side mount	
				drawing number:	
				CS# 1052.600-GA.L032.re	
Fulterer AG & Co KG A-6890 Lustenau / Austria				replaces version date:	
Fulterer AG CH-9430 St. Margrethen					
ind.	changes	date	na.		