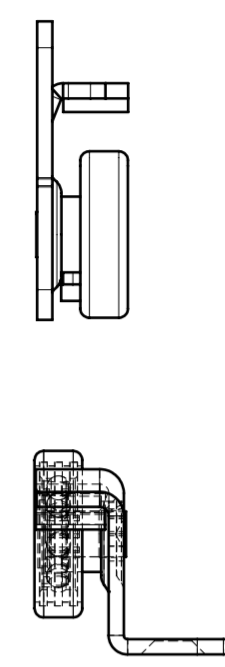
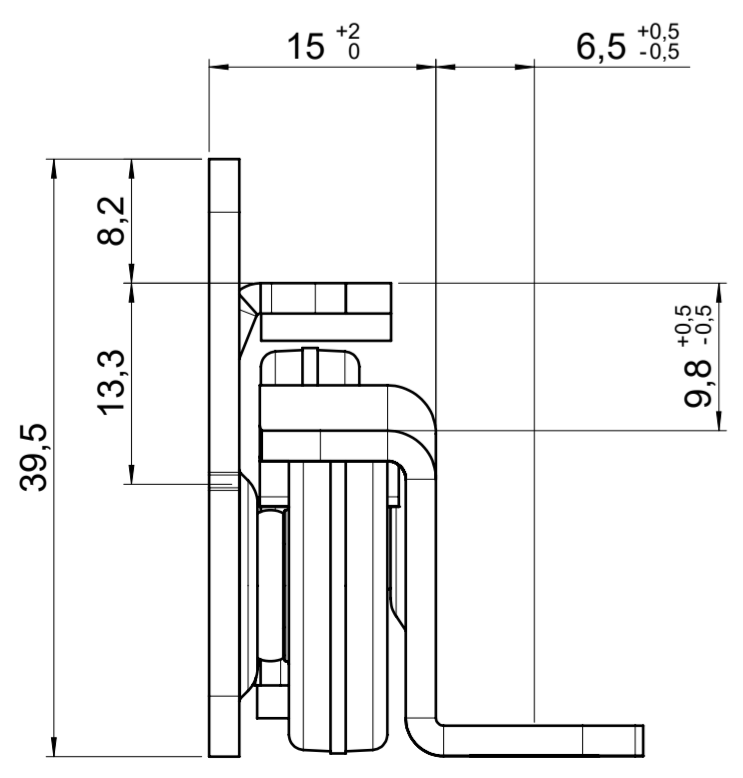
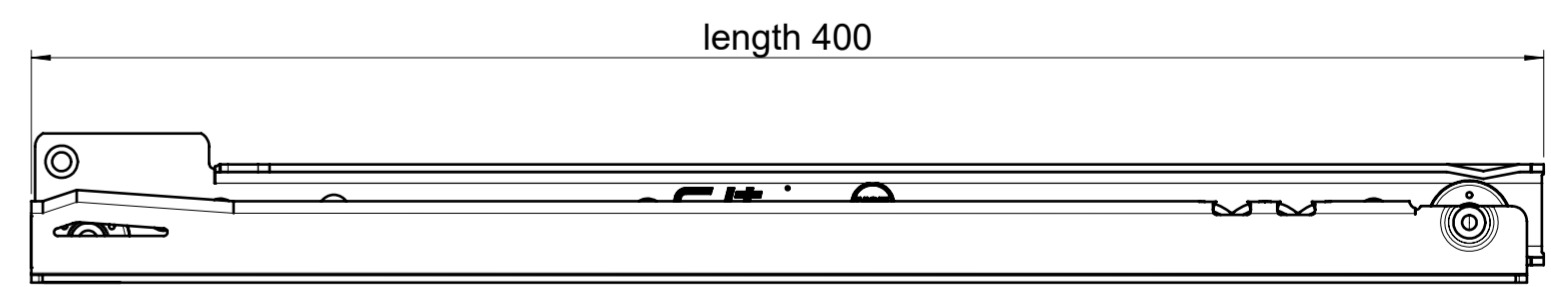
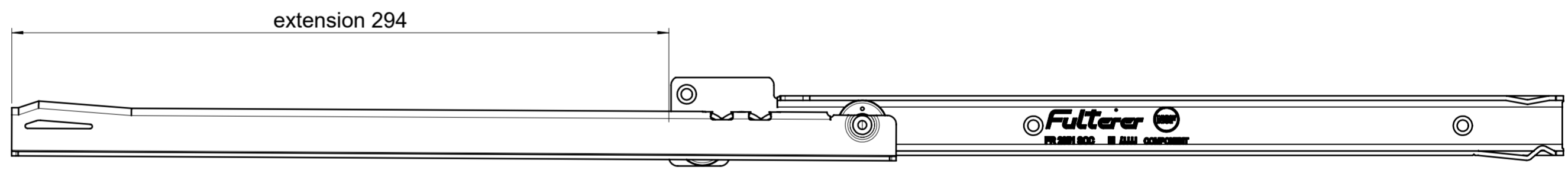
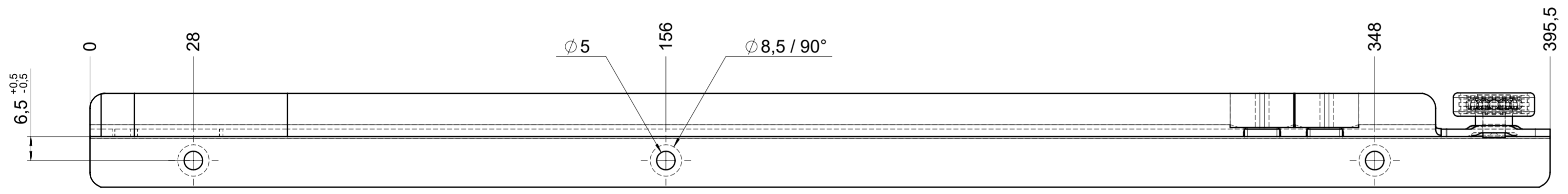
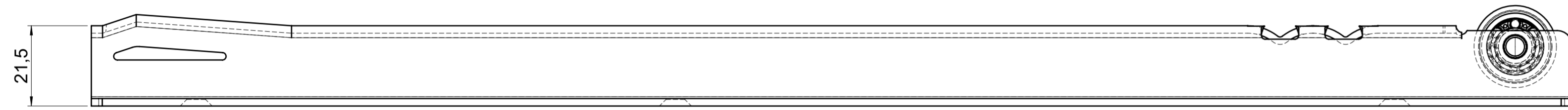
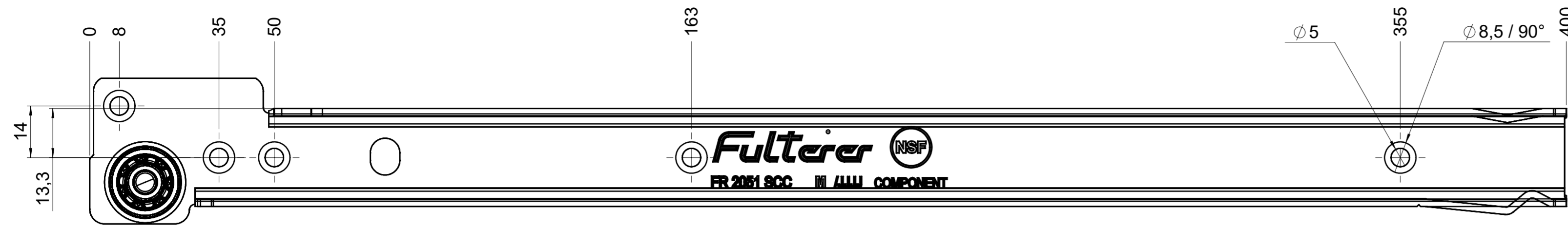


drawn left



final approval

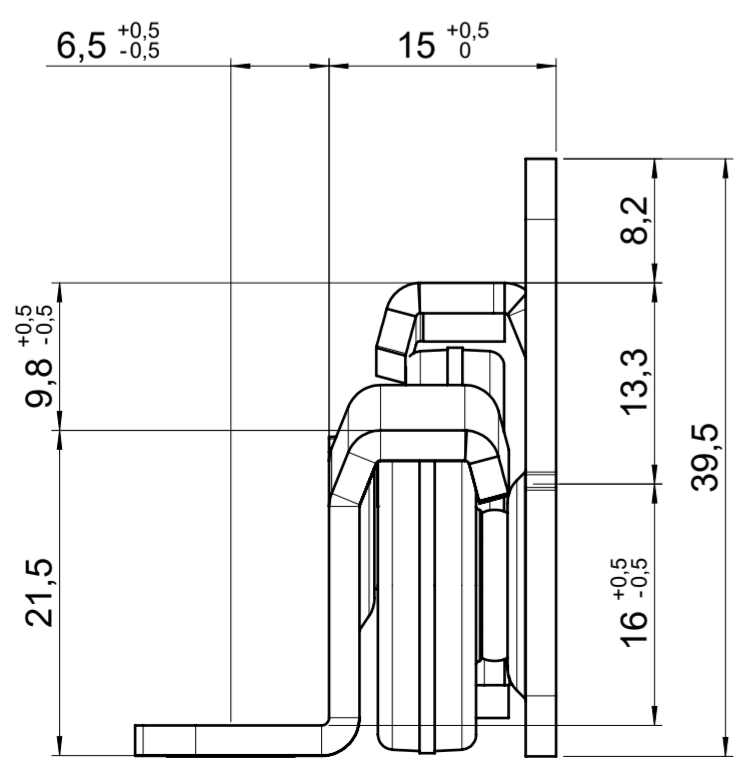
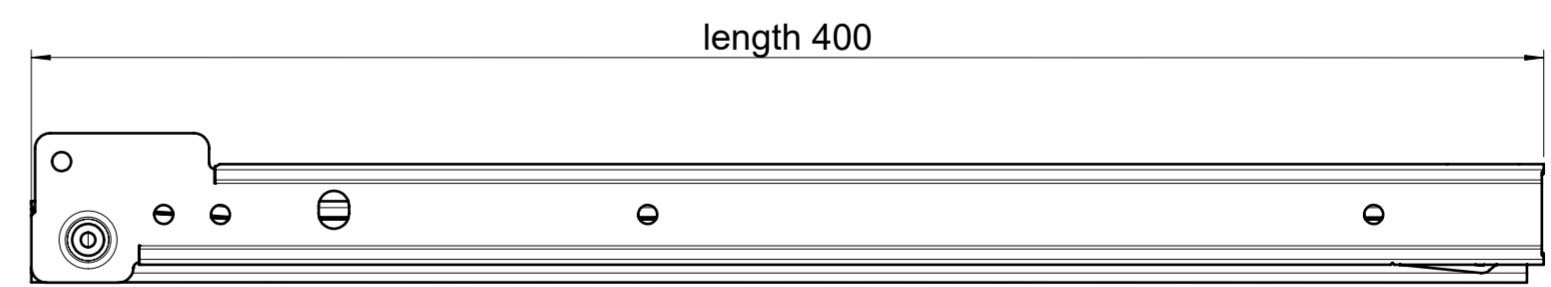
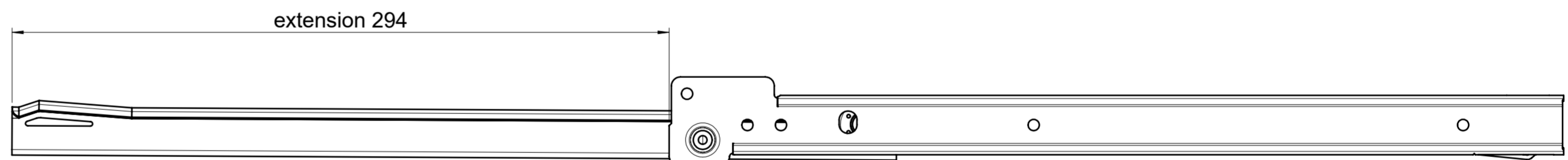
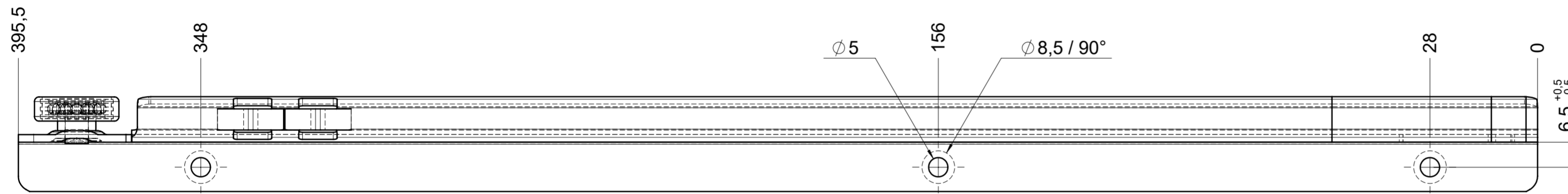
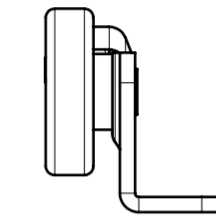
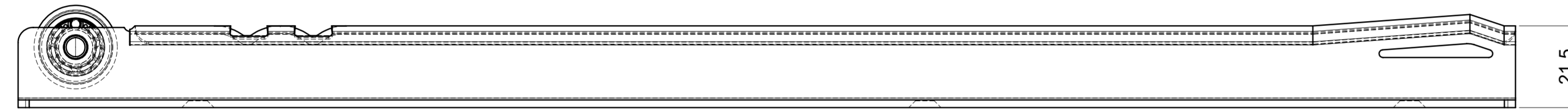
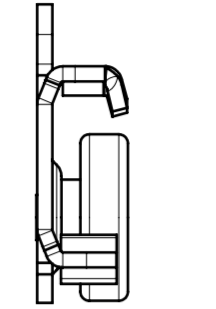
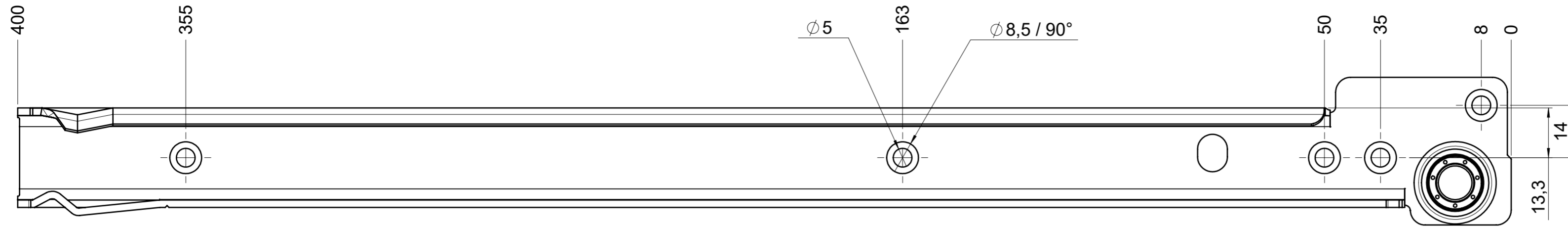
customer name:

signed by:

date:

all dimensions in mm				DIN ISO 128-30 missing dimensions see 3D = theor. intersection	
This drawing remains our property and may not be multiplied neither be disclosed to third parties (§§1,3 and 5 from the copyright Act (UrhG)) covered according to DIN ISO 16016					
scale: 1:1		surface:		material, semi finished parts: CS (technical requirements Fulterer)	
(k)	date	name		description: FR 2051 / 40 CS EN (mm) regular-extension drawerside / side mount	
(l)	drawn 01-02-2023	ex			
(m)	proven 01-03-2023	pr			
(n)	Fulterer		drawing number:		CS# 2051.400-GA.SB00.li
(o)			replaces version date:		
(p)	Fulterer AG & Co KG A-6890 Lustenau / Austria				
(q)	Fulterer AG CH-9430 St. Margrethen				
(r)	changes	date	na.		

drawn right



final approval

customer name:

signed by:

date:

all dimensions in mm				DIN ISO 128-30 missing dimensions see 3D = theor. intersection	
This drawing remains our property and may not be multiplied neither be disclosed to third parties (§§1,3 and 5 from the copyright Act (UrhG)) covered according to DIN ISO 16016					
scale: 1:1		surface:		material, semi finished parts: CS (technical requirements Fulterer)	
drawn	date	name	ex	description: FR 2051 / 40 CS EN (mm) regular-extension drawerside / side mount	
proven	01-03-2023	pr		drawing number: CS# 2051.400-GA.SB00.re	
				replaces version date:	
Fulterer AG & Co KG A-6890 Lustenau / Austria Fulterer AG CH-9430 St. Margrethen					
ind.	changes	date	na.		