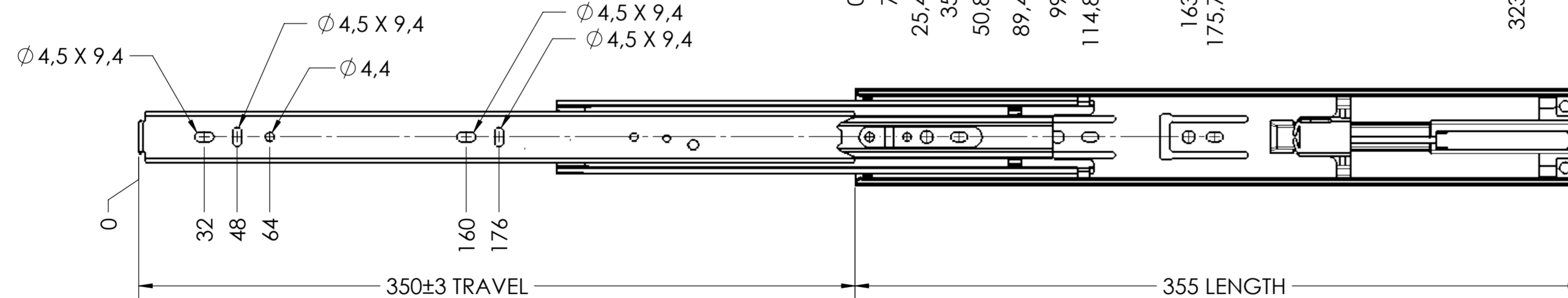
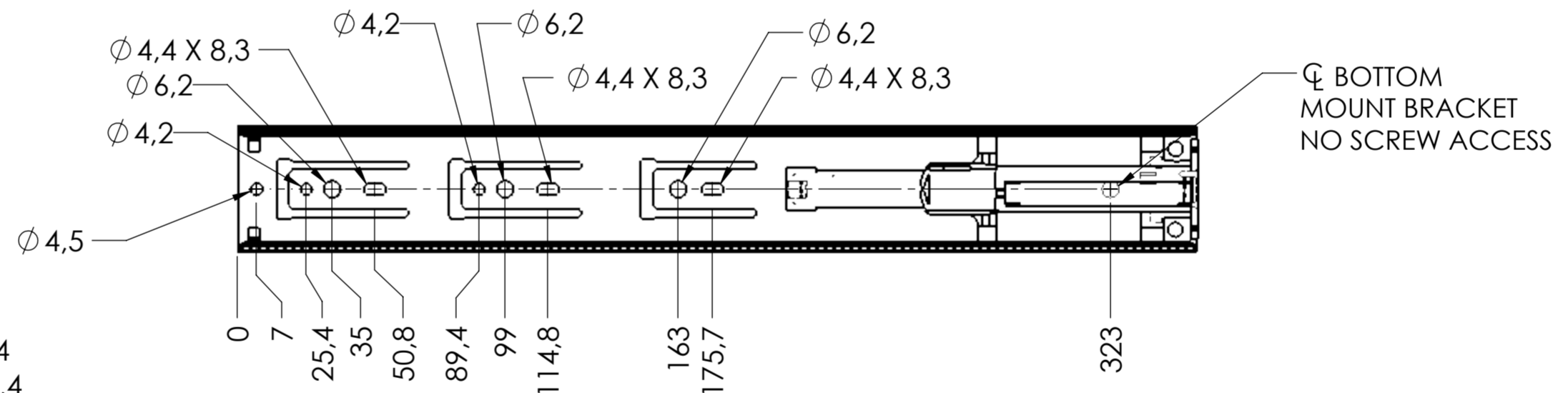


SCALE 1:1



**CABINET MOUNTING HOLES**



**ECD SPRING FORCE: 16N ± 2N PER SLIDE**

RECOMMENDED HARDWARE:

CABINET- 3.5MM SPAX M4 BUTTON HEAD OR #8 TRUSS HEAD SCREW

DRAWER- 3.5MM SPAX M4 BUTTON HEAD OR #8 TRUSS HEAD SCREW

general tolerances		DIN ISO 128-30 missing dimensions see 3D = theor. intersection	
ISO 2768-m			
This drawing remains our property and may not be multiplied neither be disclosed to third parties (§§1,3 and 5 from the copyright Act (UrhG))			
covered according to DIN ISO 16016		scale:	surface:
(k)		1:2	
(l)		date	name
(m)		drawn 16-05-2019	HB
(n)		proven 00-00-0000	00
(o)		<b>Fulterer</b>	
(p)			
(q)		material, semi finished parts: STAINLESS STEEL (technical requirements Fulterer)	
(r)		description: SIDE MOUNT FULL EXTENSION DRAWER SLIDE WITH SOFT CLOSE & DRAWER DISCONNECT	
(s)		drawing number: 5001.355-GA.T049	
(t)		replaces version date:	
(u)		Fulterer AG & Co KG A-6890 Lustenau / Austria Fulterer AG CH-9430 St. Margrethen	
(v)	0	00-00-0000	0
(w)	ind.	changes	date na.