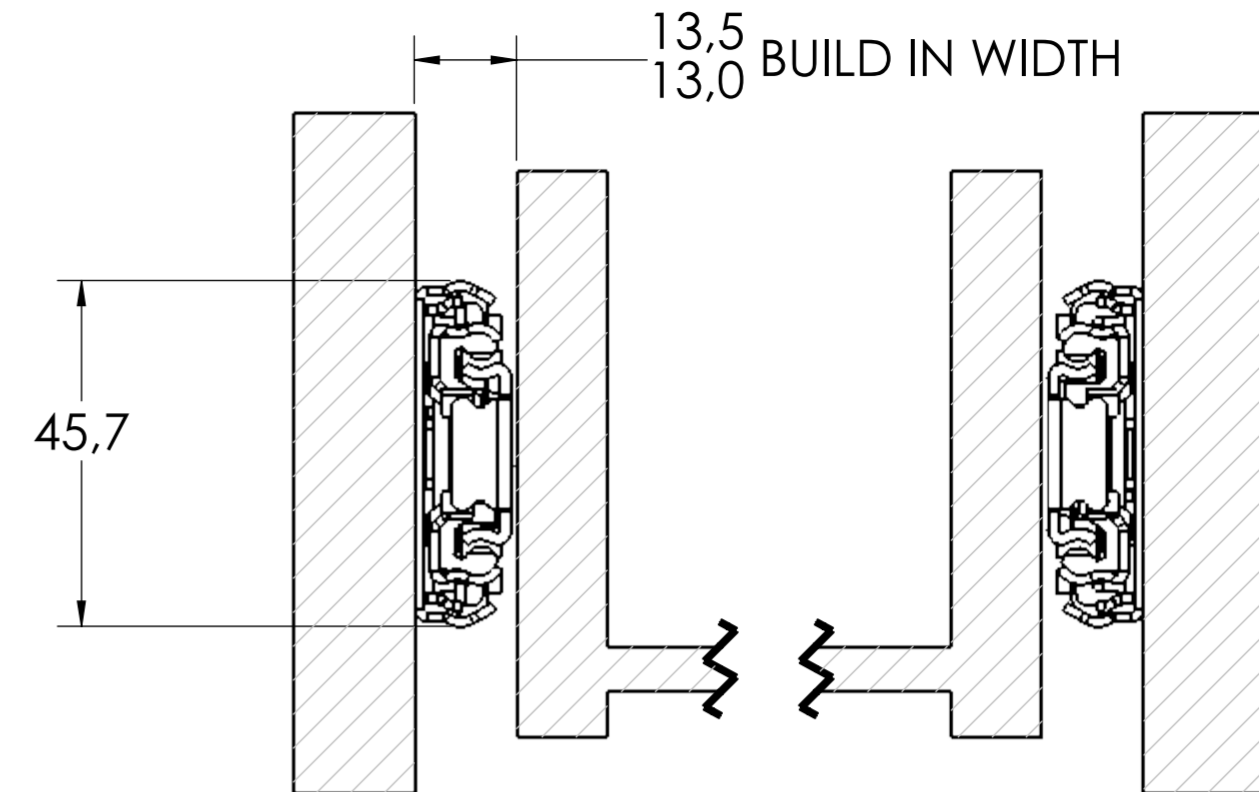
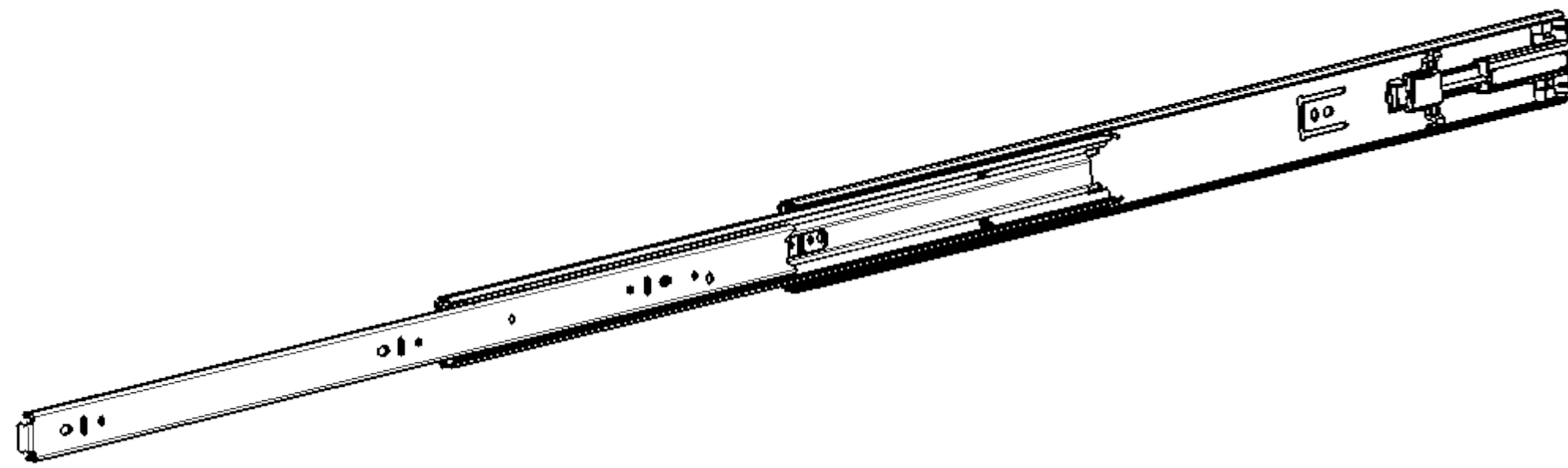


5001.700-GA.T049

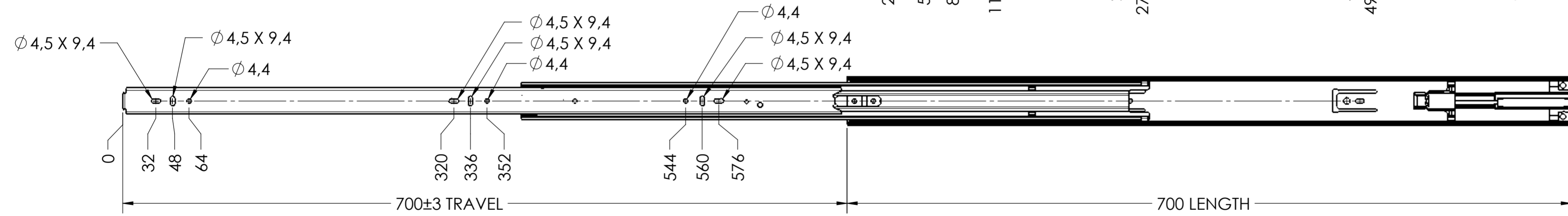
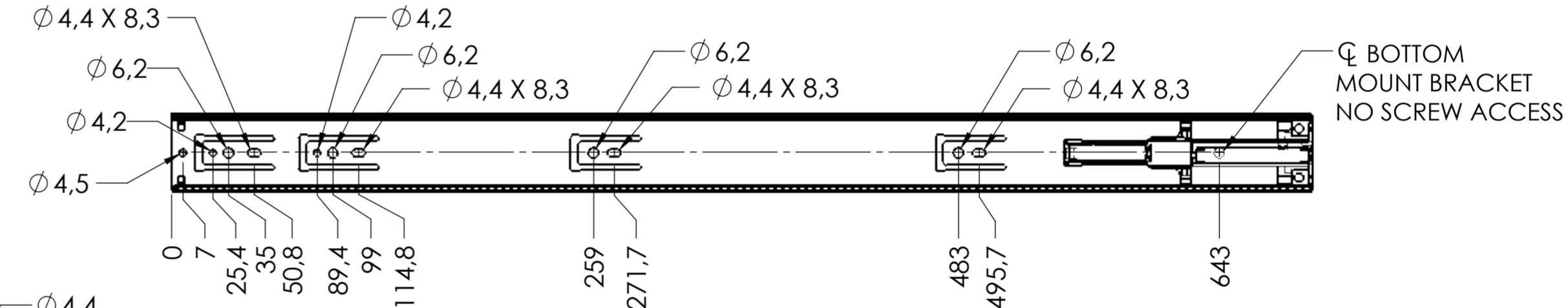
X



SCALE 1:1



CABINET MOUNTING HOLES



ECD SPRING FORCE: 19N ± 2N PER SLIDE

RECOMMENDED HARDWARE:

CABINET- 3.5MM SPAX M4 BUTTON HEAD OR #8 TRUSS HEAD SCREW

DRAWER- 3.5MM SPAX M4 BUTTON HEAD OR #8 TRUSS HEAD SCREW

general tolerances		DIN ISO 128-30 missing dimensions see 3D = theor. intersection	
ISO 2768-m			
This drawing remains our property and may not be multiplied neither be disclosed to third parties (§§1,3 and 5 from the copyright Act (UrhG)) covered according to DIN ISO 16016			
(k)	scale:	1:3	surface:
(l)	date:	16-05-2019	name:
(m)	drawn:	HB	description:
(n)	proven:	00-00-0000	00
(o)	Fulterer		SIDE MOUNT FULL EXTENSION DRAWER SLIDE WITH SOFT CLOSE & DRAWER DISCONNECT
(p)			
(q)	Fulterer AG & Co KG A-6890 Lustenau / Austria		STAINLESS STEEL (technical requirements Fulterer)
(r)	Fulterer AG CH-9430 St. Margrethen		drawing number: 5001.700-GA.T049
(s)	changes	date	na.
(t)	replaces version date:		