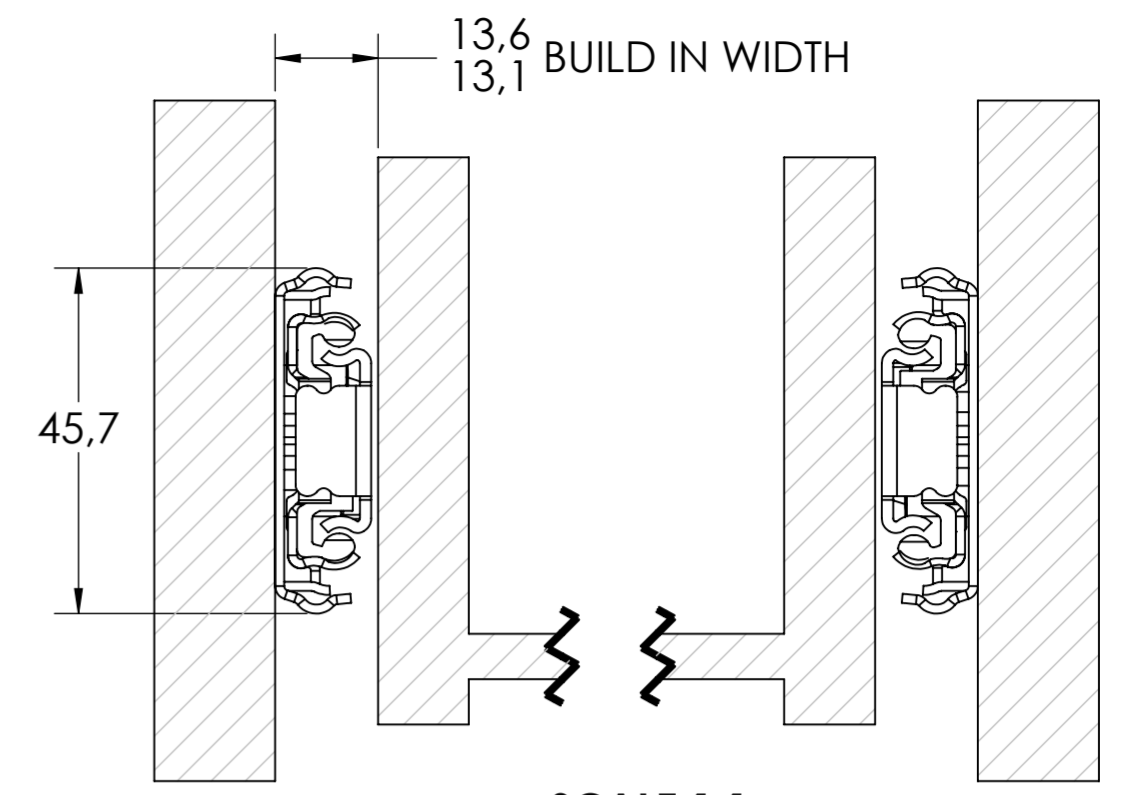
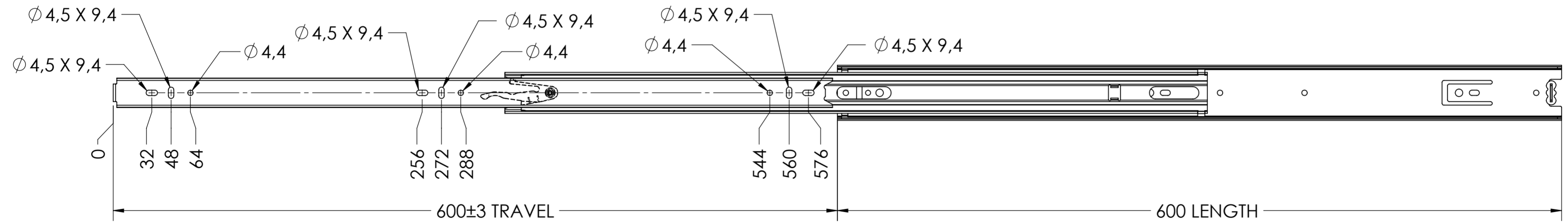
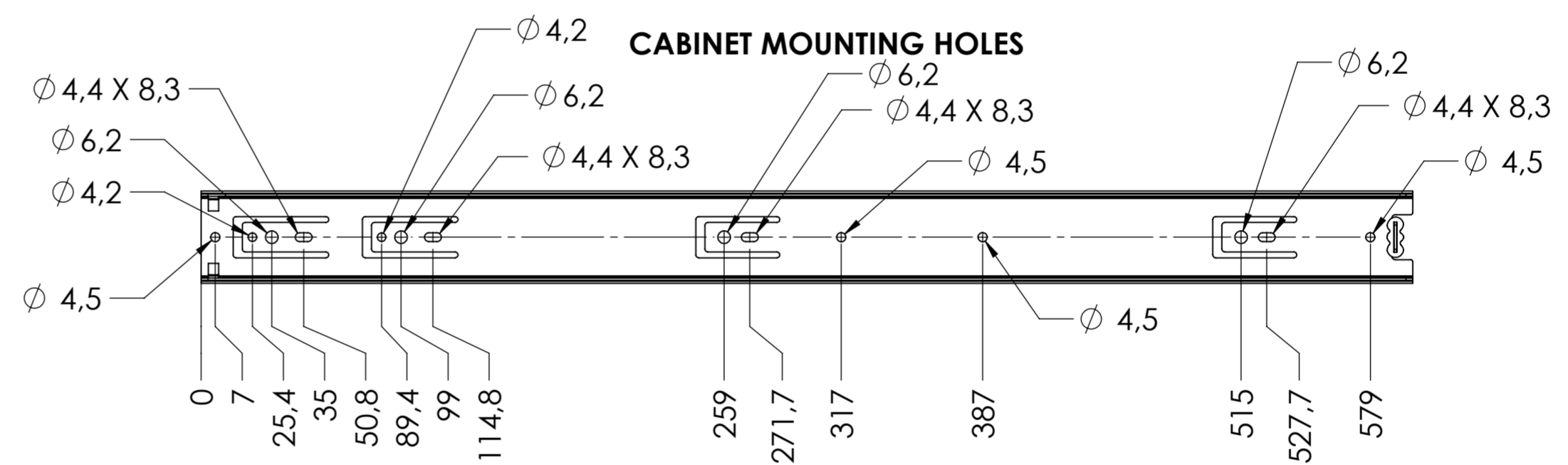
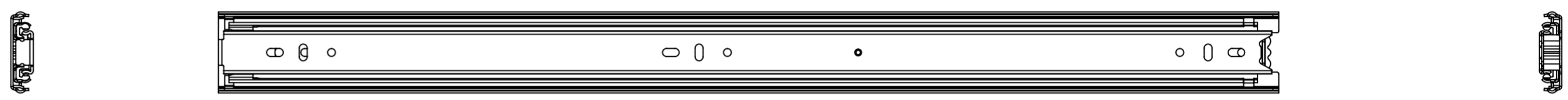


5002.600-GA.T015

X



SCALE 1:1



RECOMMENDED HARDWARE:
 CABINET- SPAX 3.5mm M4 BUTTON HEAD OR #8 TRUSS HEAD SCREW
 DRAWER- SPAX 3.5mm M4 BUTTON HEAD OR #8 TRUSS HEAD SCREW

general tolerances		missing dimensions see 3D = theor. intersection	
ISO 2768-m			
This drawing remains our property and may not be multiplied neither be disclosed to third parties (§§1,3 and 5 from the copyright Act (UrhG)) covered according to DIN ISO 16016			
(k)		scale:	surface:
(l)		3:83:8	
(i)		date	name
(h)		drawn 12-10-2018	HB
(g)		proven 00-00-0000	00
(f)		Fullterer	
(e)			
(d)		Fullterer AG & Co KG	
(c)		A-6890 Lustenau / Austria	
(b)		Fullterer AG	
(a)	0	00-00-0000	0
ind.	changes	date	na.

material, semi finished parts: 304 STAINLESS STEEL (technical requirements Fullterer) A2

description: STAINLESS STEEL SIDE MOUNT STAINLESS STEEL SIDE MOUNT FULL EXTENSION DRAWER SLIDE WITH DRAWER RELEASE

drawing number: 5002.600-GA.T015

replaces version date: