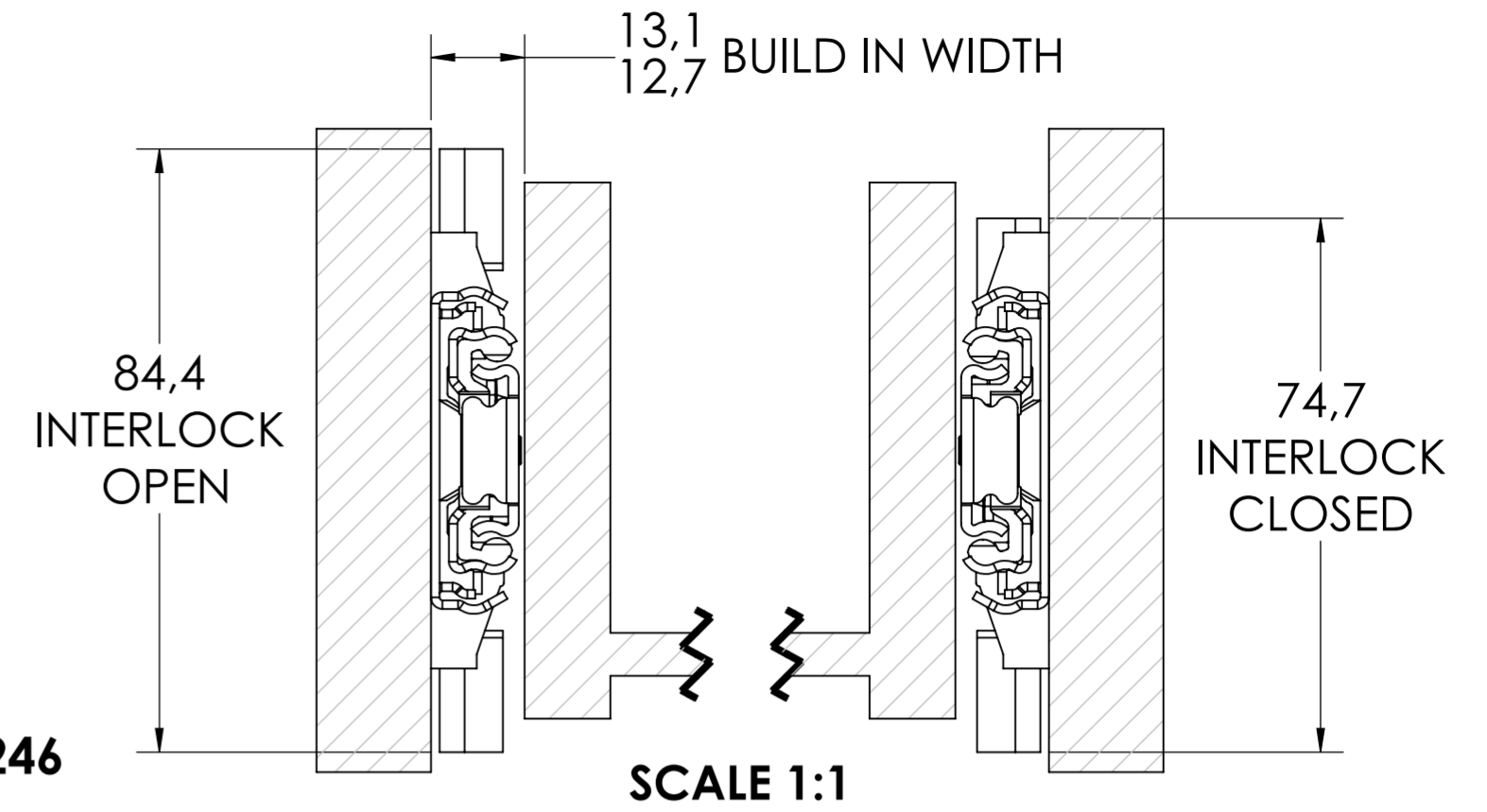
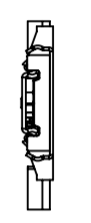
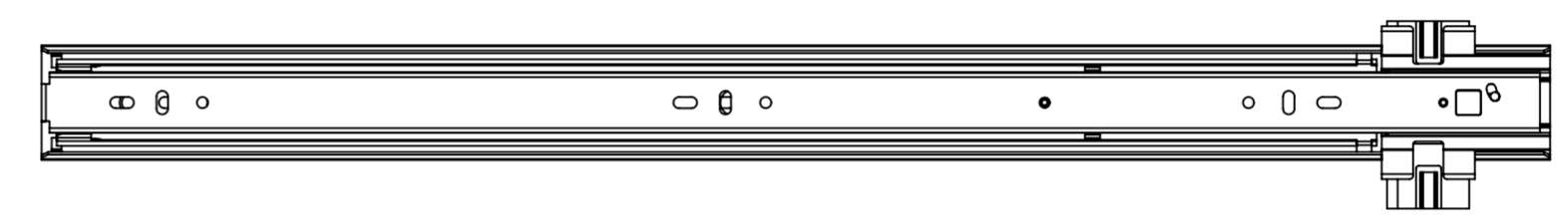
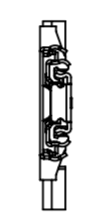


ROD LENGTH $L^{+0.5} = A-46$
 $\phi 5\text{mm ROD}$
FULTERER PART NUMBER 400246

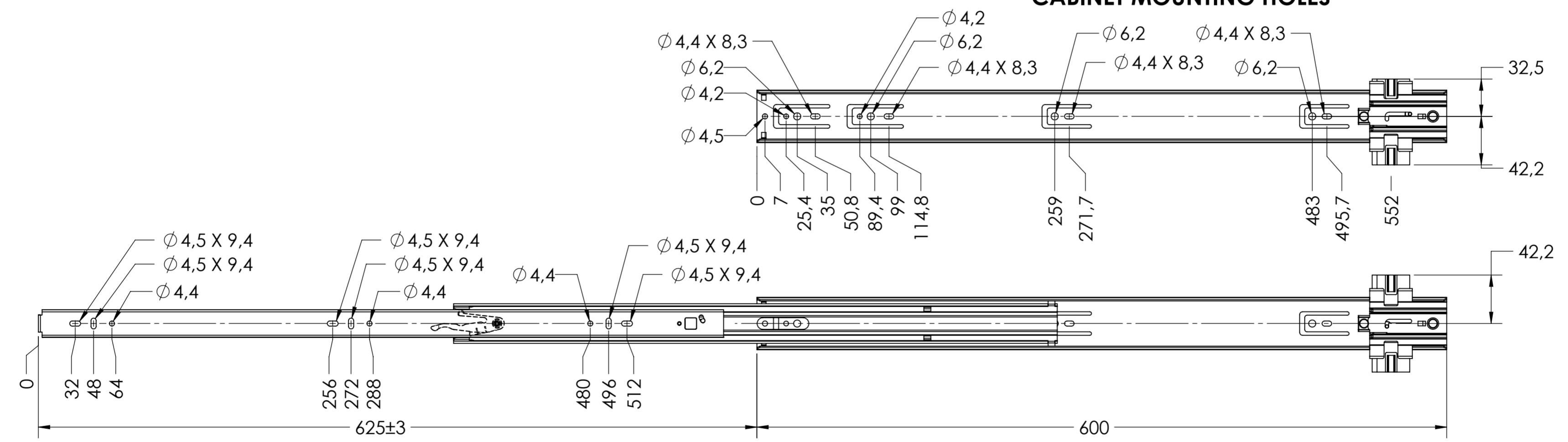
SCALE 1:4
 NOTE: 450mm LENGTH SHOWN
 RECOMMENDED MINIMUM DISTANCE BETWEEN SLIDES "A" = 90mm



SCALE 1:1



CABINET MOUNTING HOLES



RECOMMENDED HARDWARE:

- CABINET- M4 BUTTON HEAD OR #8 TRUSS HEAD SCREW
- DRAWER- M4 BUTTON HEAD OR #8 TRUSS HEAD SCREW
- INTERLOCK $\phi 5\text{MM ALUMINUM ROD FULTERER PART NUMBER: 400246}$

general tolerances		DIN ISO 128-30 missing dimensions see 3D = theor. intersection	
ISO 2768-m			
This drawing remains our property and may not be multiplied neither be disclosed to third parties (§§1,3 and 5 from the copyright Act (UrhG)) covered according to DIN ISO 16016			
scale: 1:3		surface: A2	
date: 21-02-2019		name: HB	
drawn: 21-02-2019		description: SIDE MOUNT OVER EXTENSION INTERLOCK DRAWER SLIDE WITH DRAWER DISCONNECT	
proven: 00-00-0000		drawing number: 5019.600-GA.T037	
changes		replaces version date:	
date		na.	
ind.		na.	