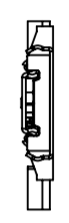
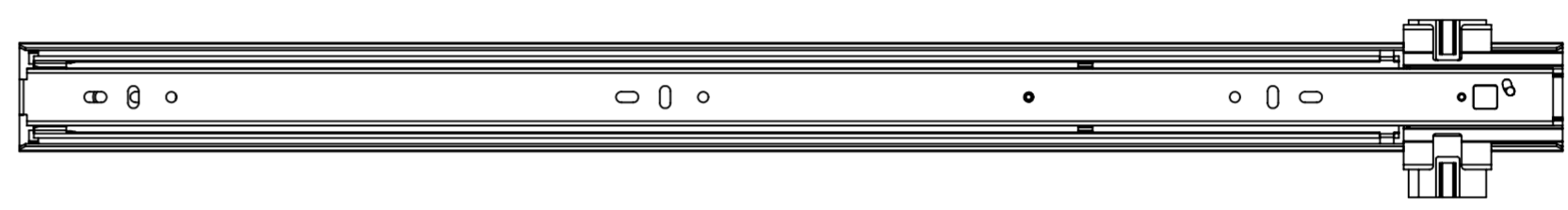
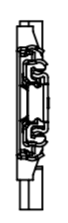
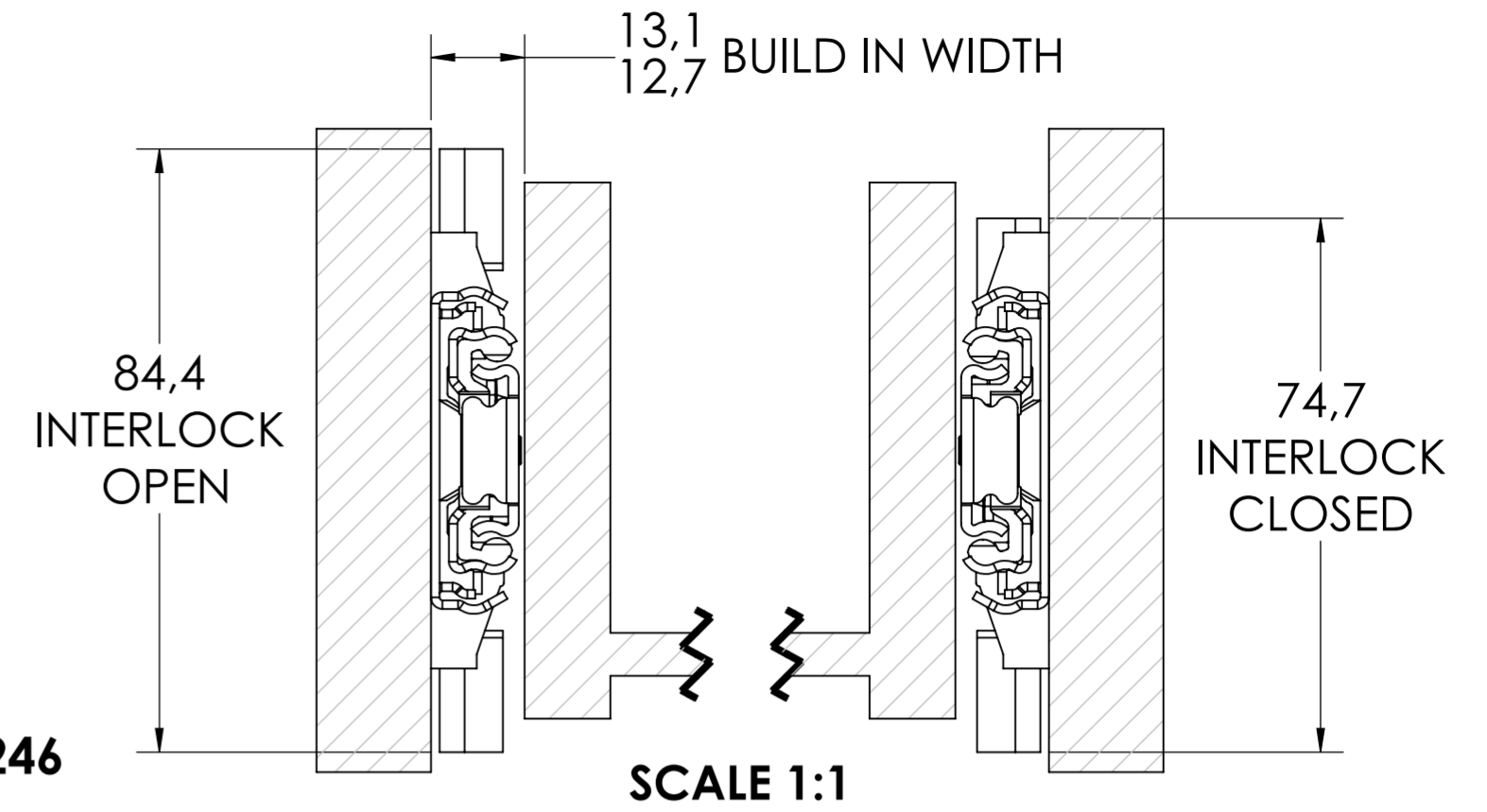
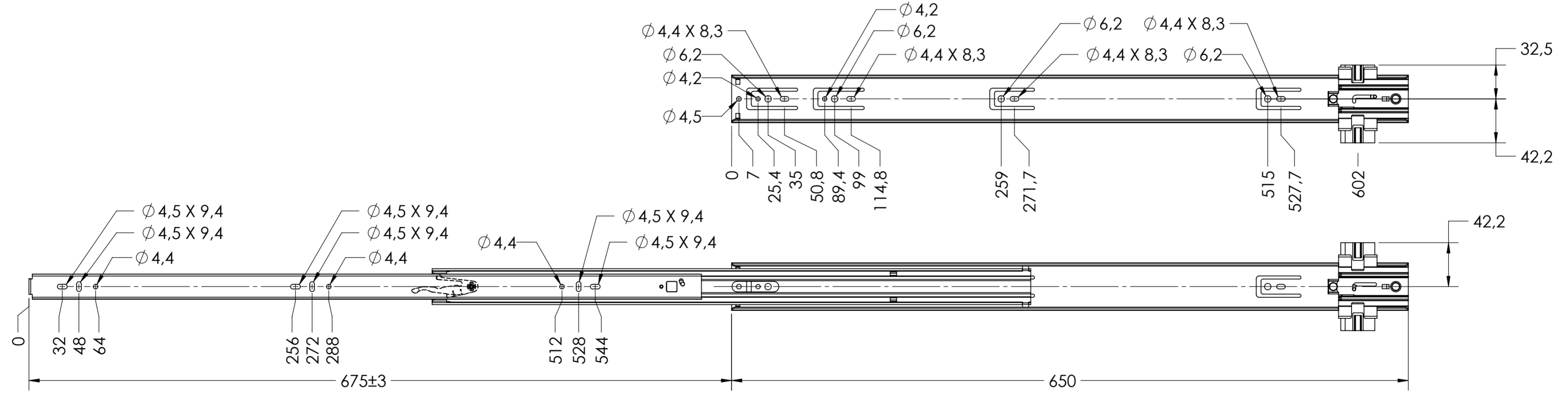


ROD LENGTH $L^{+0.5} = A-46$
 $\phi 5\text{mm}$ ROD
FULTERER PART NUMBER 400246

SCALE 1:4
 NOTE: 450mm LENGTH SHOWN
 RECOMMENDED MINIMUM DISTANCE BETWEEN SLIDES "A" = 90mm



CABINET MOUNTING HOLES



RECOMMENDED HARDWARE:

- CABINET- M4 BUTTON HEAD OR #8 TRUSS HEAD SCREW
- DRAWER- M4 BUTTON HEAD OR #8 TRUSS HEAD SCREW
- INTERLOCK $\phi 5\text{MM}$ ALUMINUM ROD **FULTERER PART NUMBER: 400246**

general tolerances		DIN ISO 128-30 missing dimensions see 3D = theor. intersection	
ISO 2768-m			
This drawing remains our property and may not be multiplied neither be disclosed to third parties (§§1,3 and 5 from the copyright Act (UrhG)) covered according to DIN ISO 16016			
(k)	scale:	1:3	surface:
(l)	date	21-02-2019	name
(m)	drawn	HB	
(n)	proven	00-00-0000	00
(o)	Fulterer		material, semi finished parts:
(p)			STEEL
(q)	Fulterer AG & Co KG A-6890 Lustenau / Austria		(technical requirements Fulterer)
(r)			description:
(s)	Fulterer AG CH-9430 St. Margrethen		SIDE MOUNT OVER EXTENSION INTERLOCK DRAWER SLIDE WITH DRAWER DISCONNECT
(t)			drawing number:
(u)	changes		5019.650-GA.T037
(v)			date
(w)	na.		