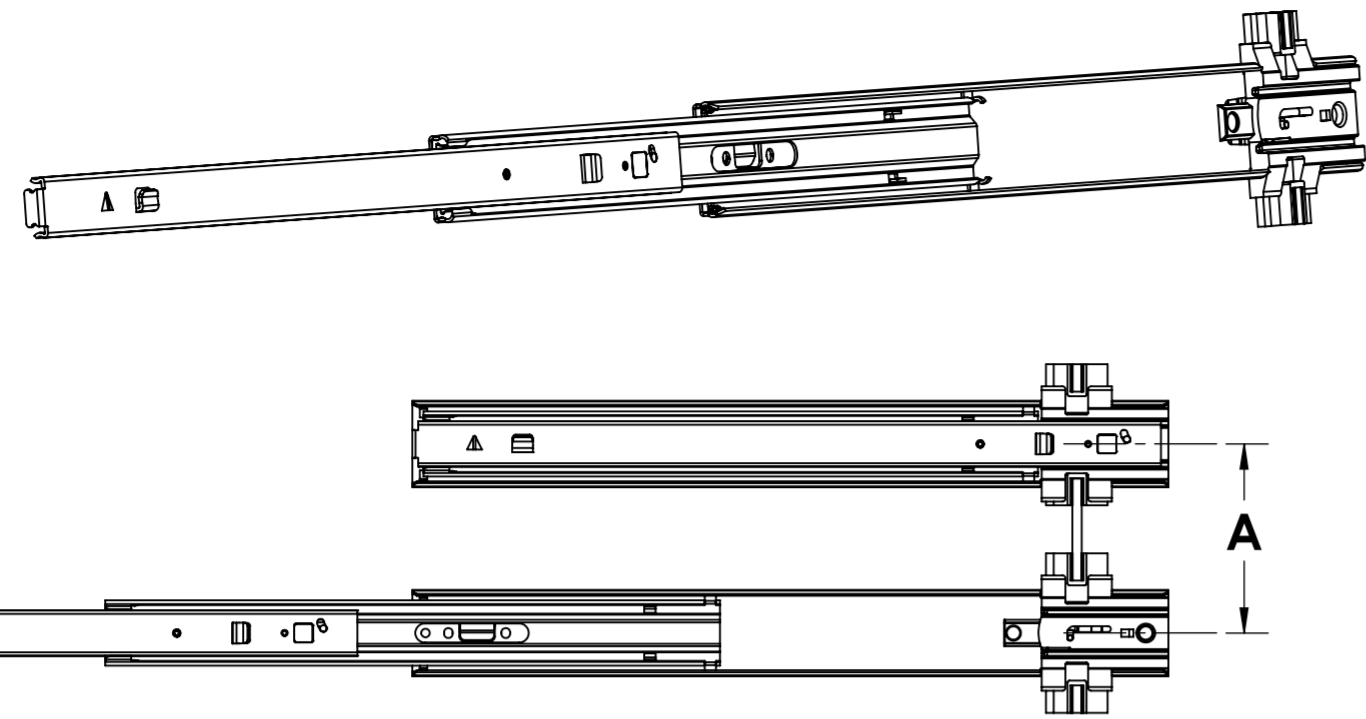
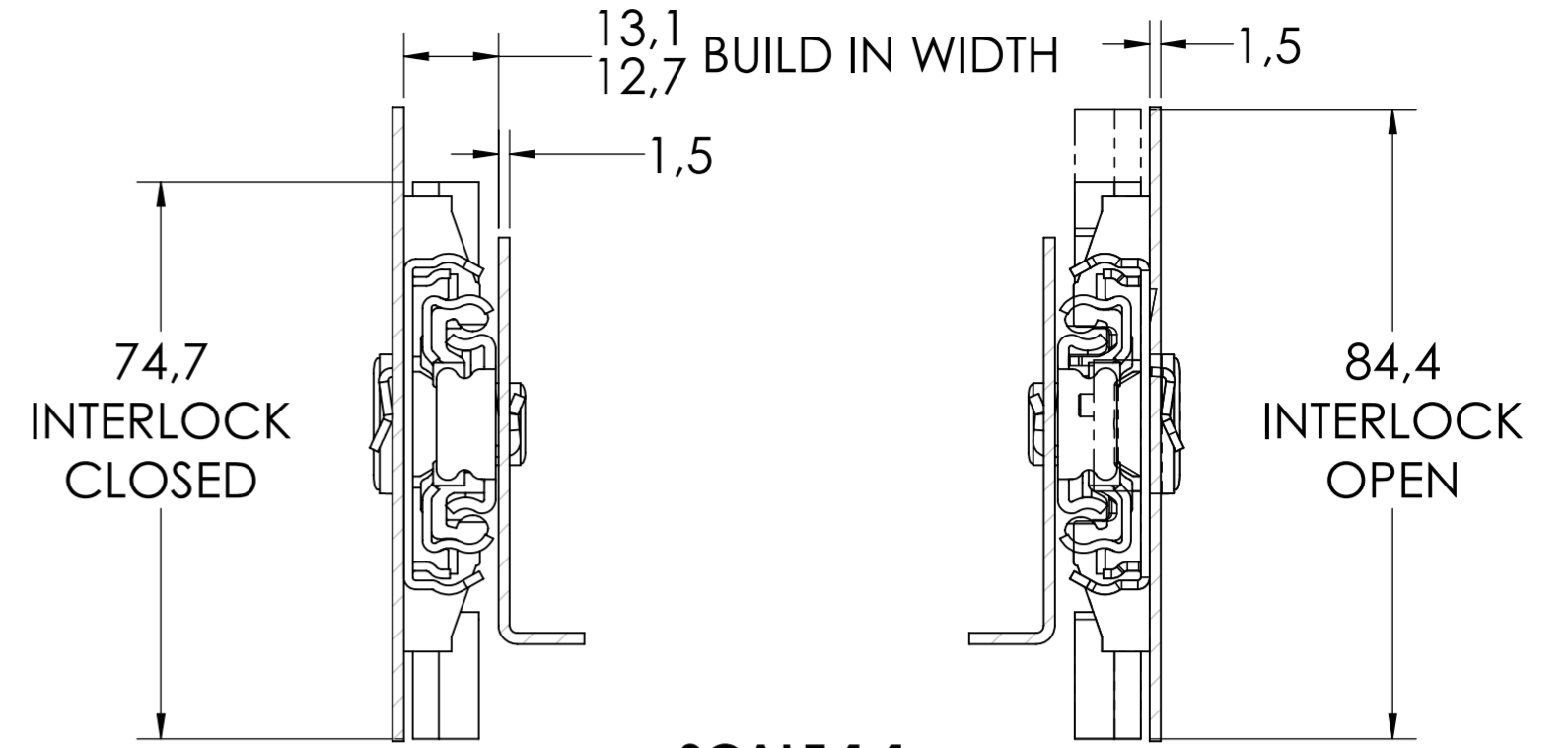


5019.450-GA.T120

X



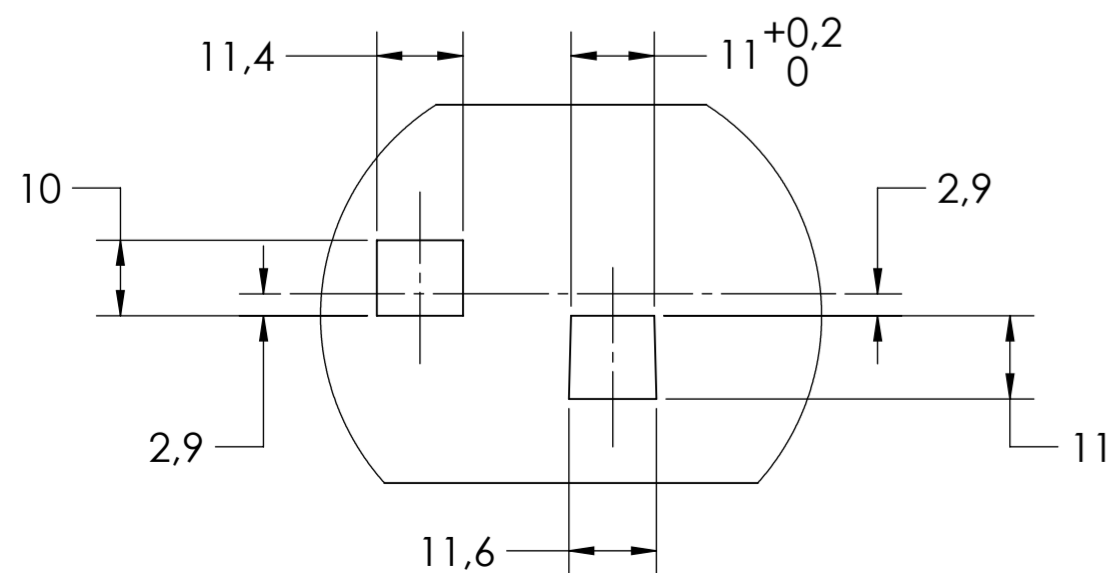
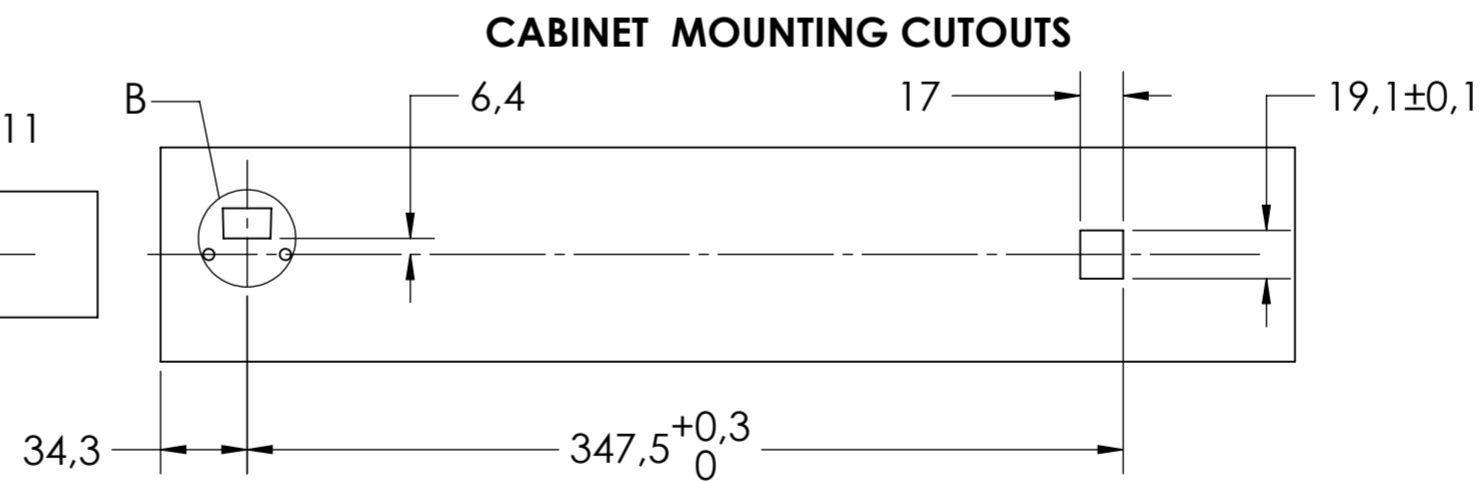
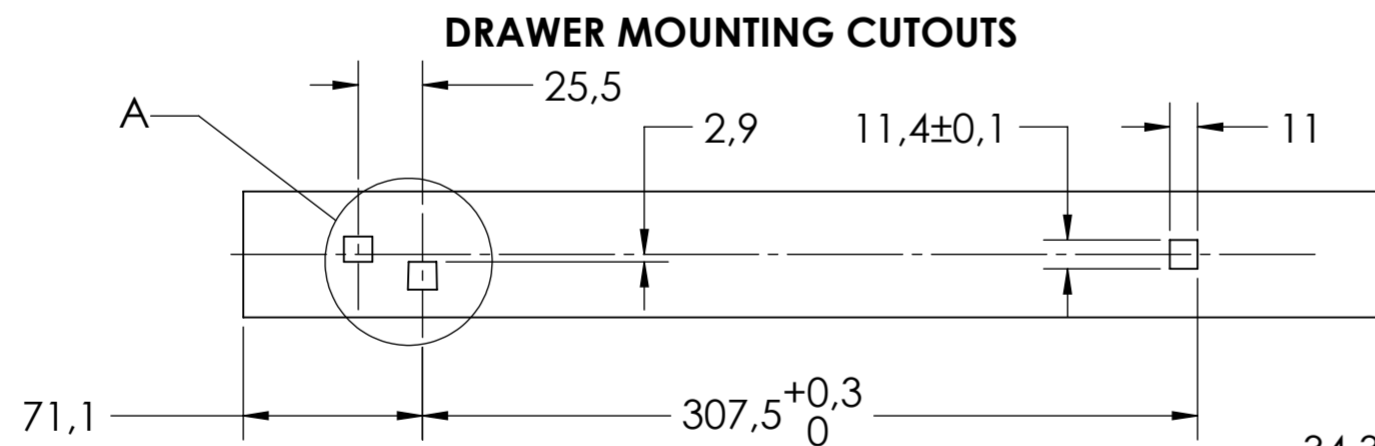
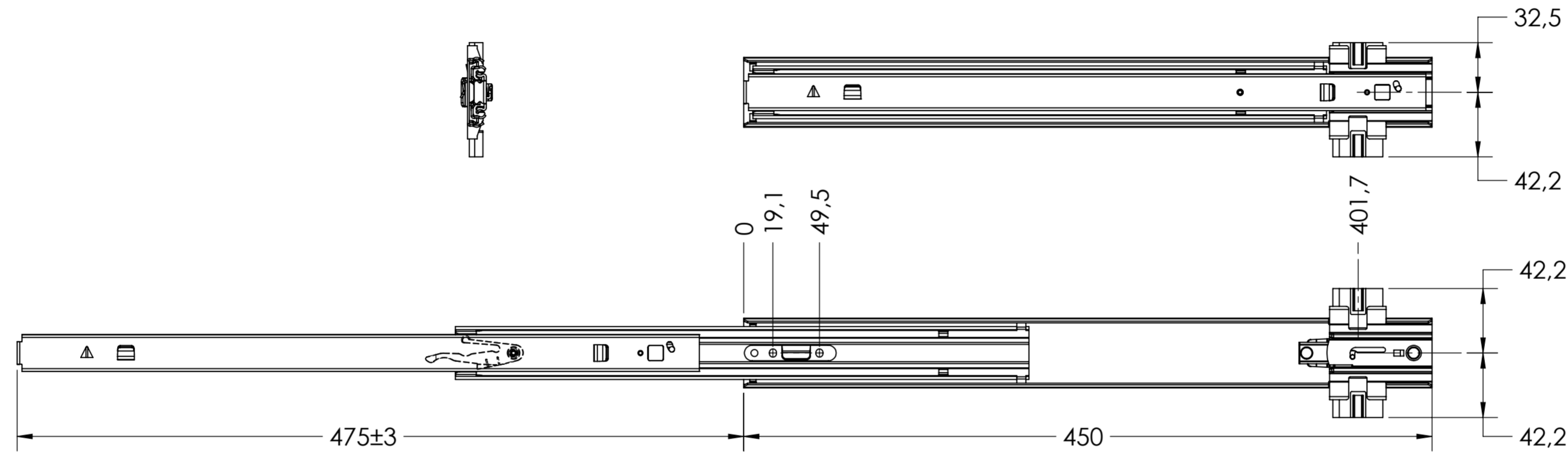
ROD LENGTH $L^{+0.5} = A-46$
 $\varnothing 5\text{mm}$ ROD
FULTERER PART NUMBER 400246



SCALE 1:1

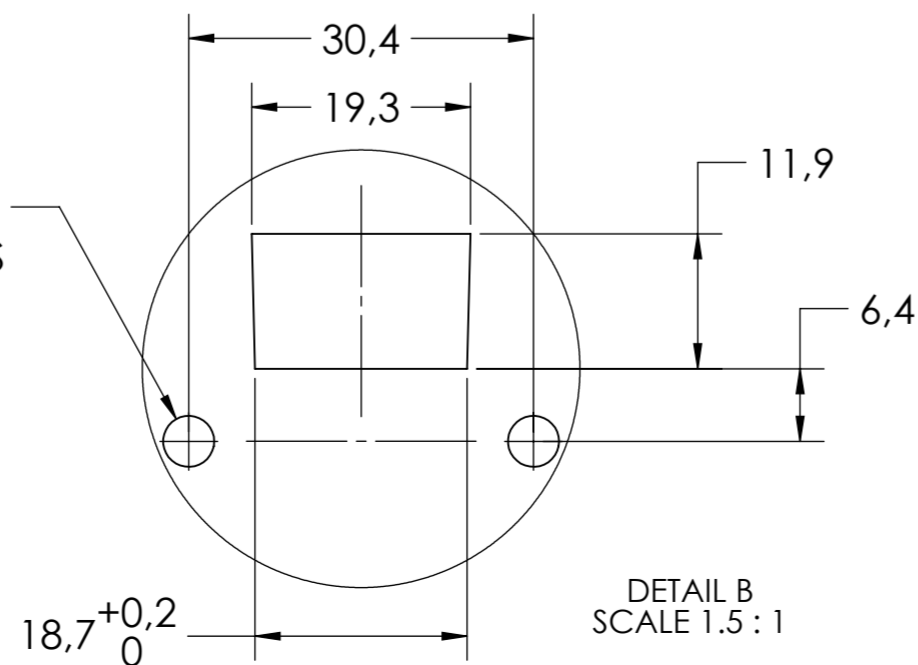
SCALE 1:4
 NOTE: 400MM LENGTH SHOWN

RECOMMENDED MIN. DISTANCE "A" = 90mm



DETAIL A
 SCALE 1:1

2X $\varnothing 4.5$
 OPTIONAL
 FOR RIVETS



DETAIL B
 SCALE 1.5:1

general tolerances		DIN ISO 128-30 missing dimensions see 3D = theor. intersection	
ISO 2768-m			
This drawing remains our property and may not be multiplied neither be disclosed to third parties (§§1,3 and 5 from the copyright Act (UrhG))			
covered according to DIN ISO 16016		scale:	surface:
		1:3	
(k)		date	name
(l)		05-06-2019	HB
(m)		proven	00-00-0000 00
(n)		Fulterer	
(o)			
(p)		Fulterer AG & Co KG	
(q)		A-6890 Lustenau / Austria	
(r)		Fulterer AG	
(s)		CH-9430 St. Margrethen	
(t)		drawing number:	
(u)		5019.450-GA.T120	
(v)		replaces version date:	
(w)			
(x)			
(y)			
(z)			
ind.	changes	date	na.