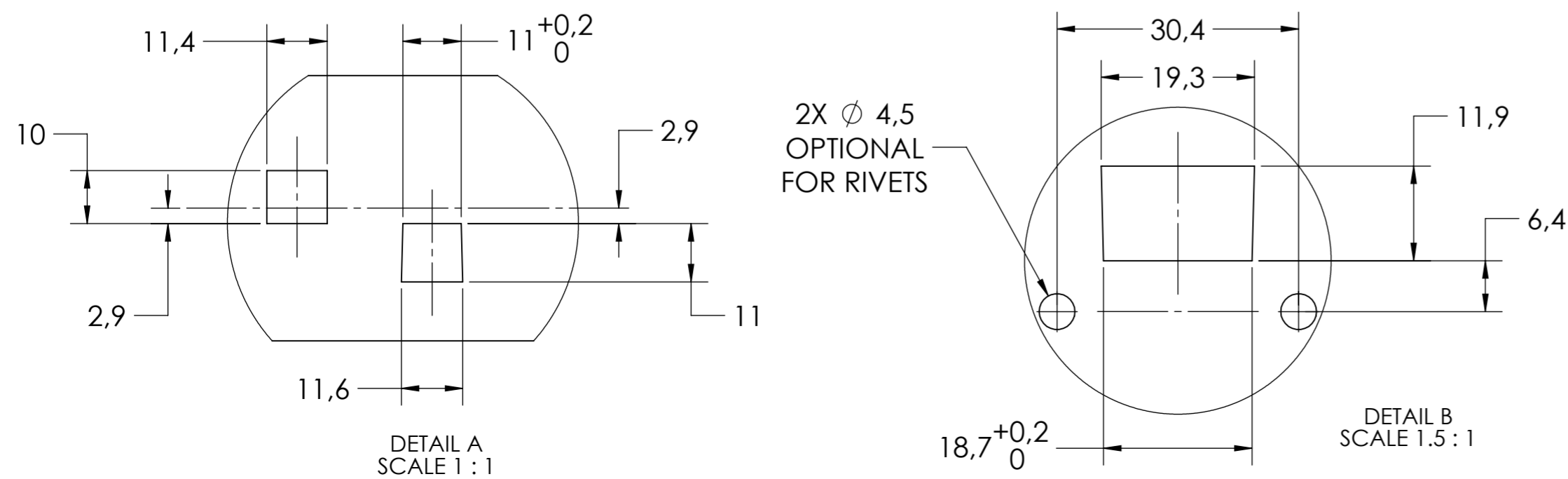
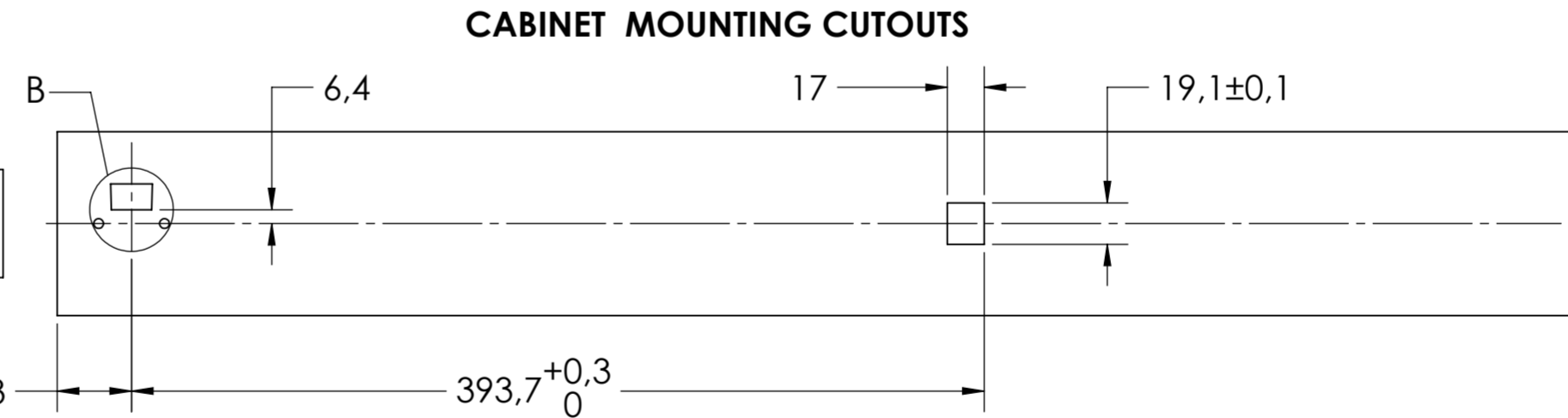
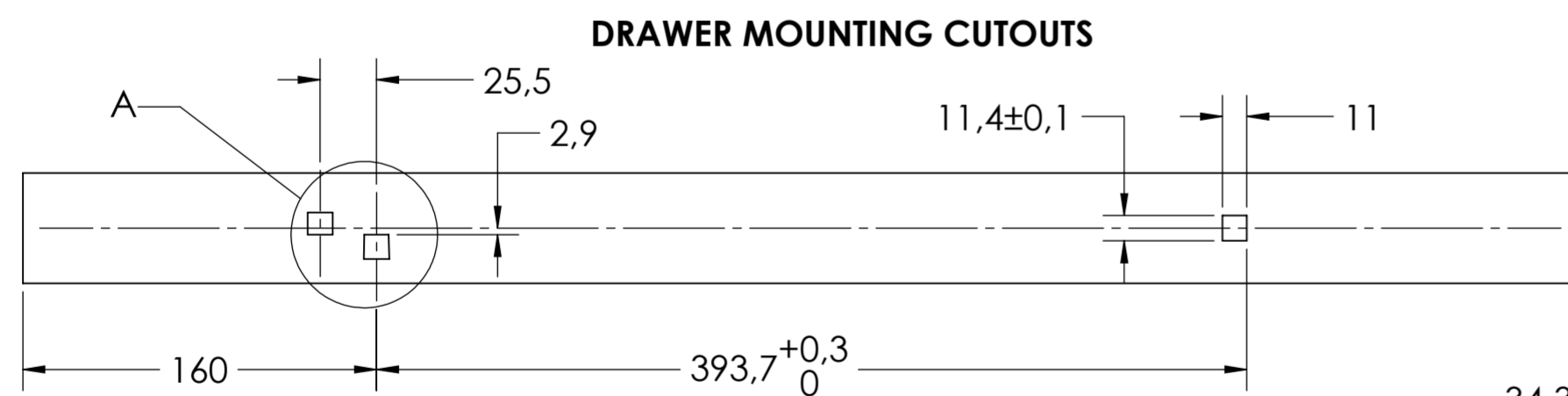
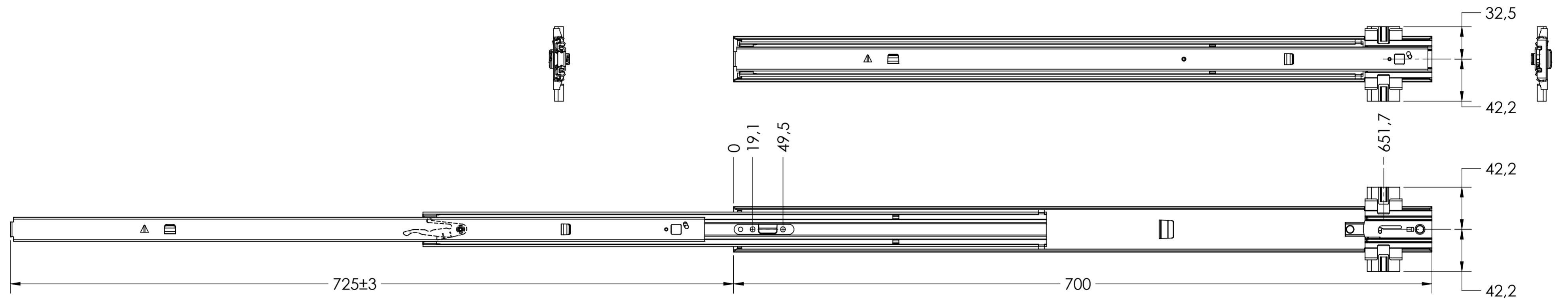
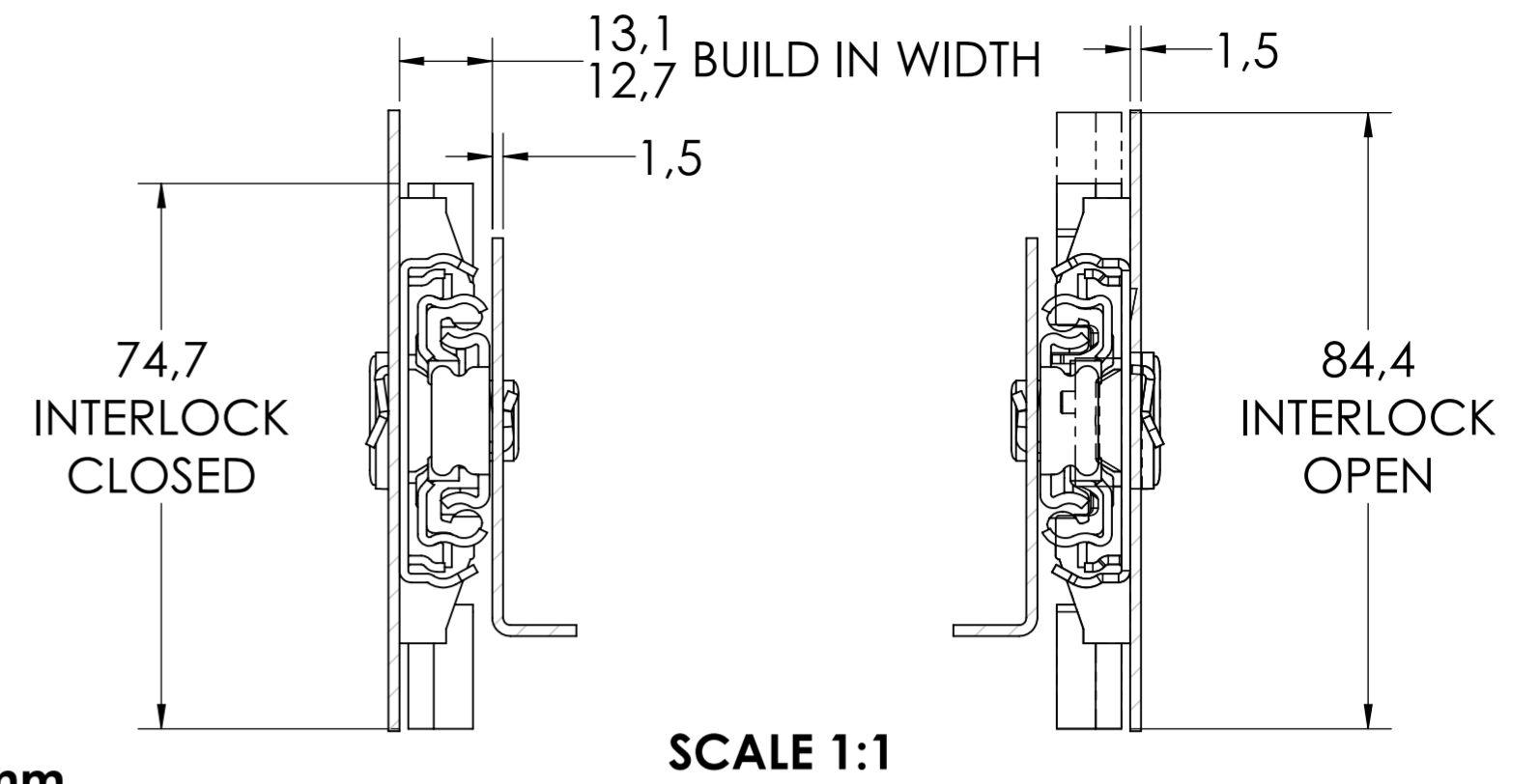
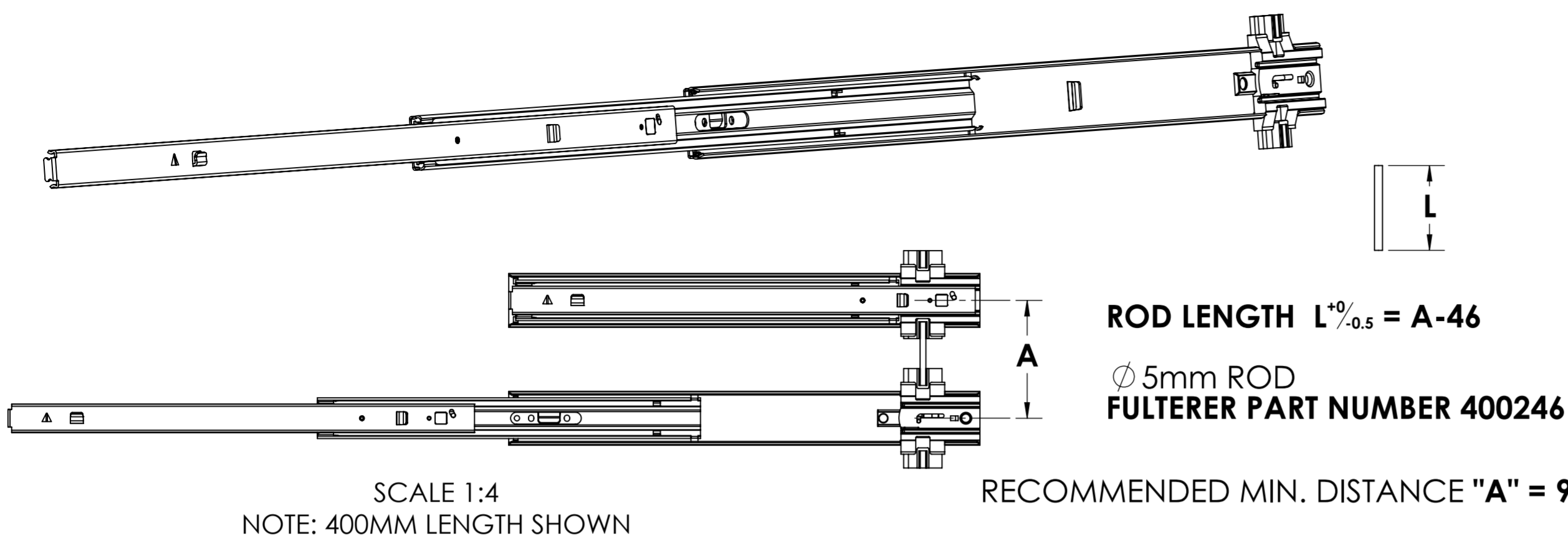


5019.700-GA.T120



general tolerances		DIN ISO 128-30 missing dimensions see 3D = theor. intersection	
ISO 2768-m			
This drawing remains our property and may not be multiplied neither be disclosed to third parties (§§1,3 and 5 from the copyright Act (UrhG)) covered according to DIN ISO 16016			
(k)	scale:	1:3	surface:
(l)	date:	05-06-2019	name:
(m)	drawn:	HB	material, semi finished parts:
(n)	proven:	00-00-0000	00
(o)	Fulterer		STEEL
(p)			(technical requirements Fulterer)
(q)	Fulterer AG & Co KG		description: SIDE MOUNT OVER EXTENSION SMT (1.5) INTERLOCKING SLIDE WITH DRAWER DISCONNECT
(r)	A-6890 Lustenau / Austria		
(s)	Fulterer AG		drawing number:
(t)	CH-9430 St. Margrethen		5019.700-GA.T120
(u)	changes	date	na.
(v)	replaces version date:		