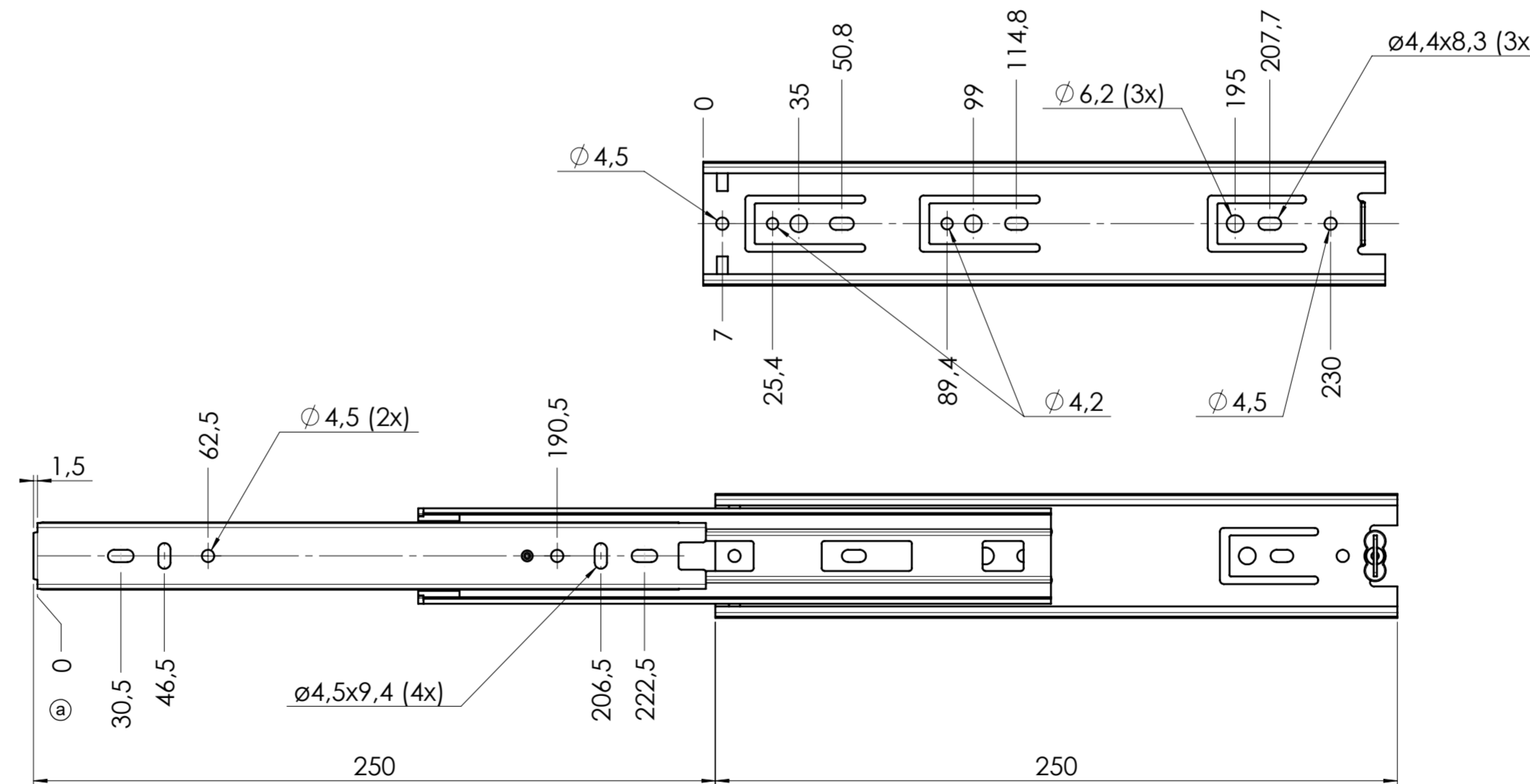


CABINET MOUNTING HOLES



RECOMMENDED HARDWARE:

CABINET- 3.5mm SPAX M4 BUTTON HEAD OR #8 TRUSS HEAD SCREW

DRAWER- 3.5mm SPAX M4 BUTTON HEAD OR #8 TRUSS HEAD SCREW

general tolerances		stamping part according Fulterer W18-001		plastic part according DIN ISO 16742 TG4		DIN ISO 128-30 missing dimensions see 3D = theor. intersection	
This drawing remains our property and may not be multiplied neither be disclosed to third parties (§§1,3 and 5 from the copyright Act (UrhG))							
covered according to DIN ISO 16016				scale:	1:2	surface:	material, semi finished parts: Steel
(k)				date	name	description:	
(l)				drawn	12-05-2021	MW	SIDE MOUNT FULL EXTENSION DRAWER SLIDE WITH DRAWER DISCONNECT
(m)				proven	00-00-0000	00	
(n)				Fulterer		drawing number:	
(o)						5046.250-GA.C200A	
(p)				Fulterer AG & Co KG A-6890 Lustenau / Austria		replaces version date:	
(q)				Fulterer AG CH-9430 St. Margrethen			
(r)				adj. dimensional reference	23-11-2022	BM	
(s)				changes	date	na.	