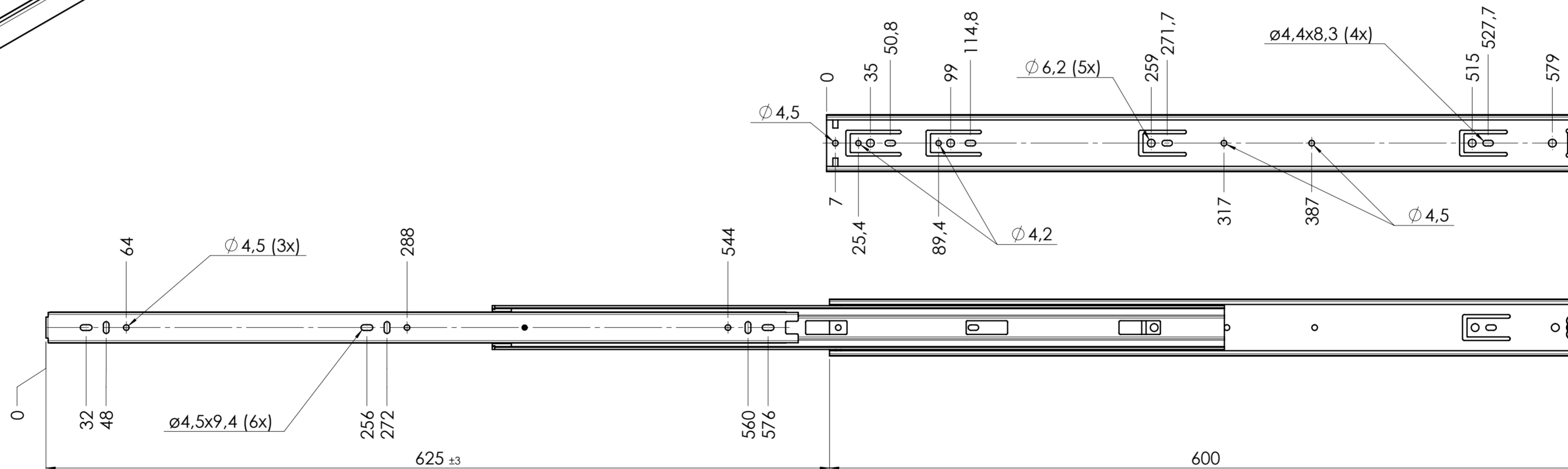


CABINET MOUNTING HOLES



RECOMMENDED HARDWARE:

CABINET- 3.5mm SPAX M4 BUTTON HEAD OR #8 TRUSS HEAD SCREW

DRAWER- 3.5mm SPAX M4 BUTTON HEAD OR #8 TRUSS HEAD SCREW

| | | | | | | | |
|---|---|---|---|--|------------|---|--|
| general tolerances | | stamping part according Fulterer W18-001 | | plastic part according DIN ISO 16742 TG4 | | DIN ISO 128-30 missing dimensions see 3D = theor. intersection | |
| This drawing remains our property and may not be multiplied neither be disclosed to third parties (§§1,3 and 5 from the copyright Act (UrhG)) covered according to DIN ISO 16016 | | | | | | | |
| (k) | | | | scale: | 1:3 | surface: | material, semi finished parts: Steel (technical requirements Fulterer) |
| (l) | | | | date | 12-04-2022 | name | CS |
| (m) | | | | drawn | 00-00-0000 | proven | 00 |
| (n) | | | | Fulterer | | description: SIDE MOUNT OVER EXTENSION DRAWER SLIDE WITH DRAWER DISCONNECT | |
| (o) | | | | | | | |
| (p) | | | | Fulterer AG & Co KG A-6890 Lustenau / Austria | | drawing number: 5046.600-GA.C030A | |
| (q) | | | | Fulterer AG CH-9430 St. Margrethen | | replaces version date: | |
| (r) | 0 | 00-00-0000 | 0 | ind. | changes | date | na. |