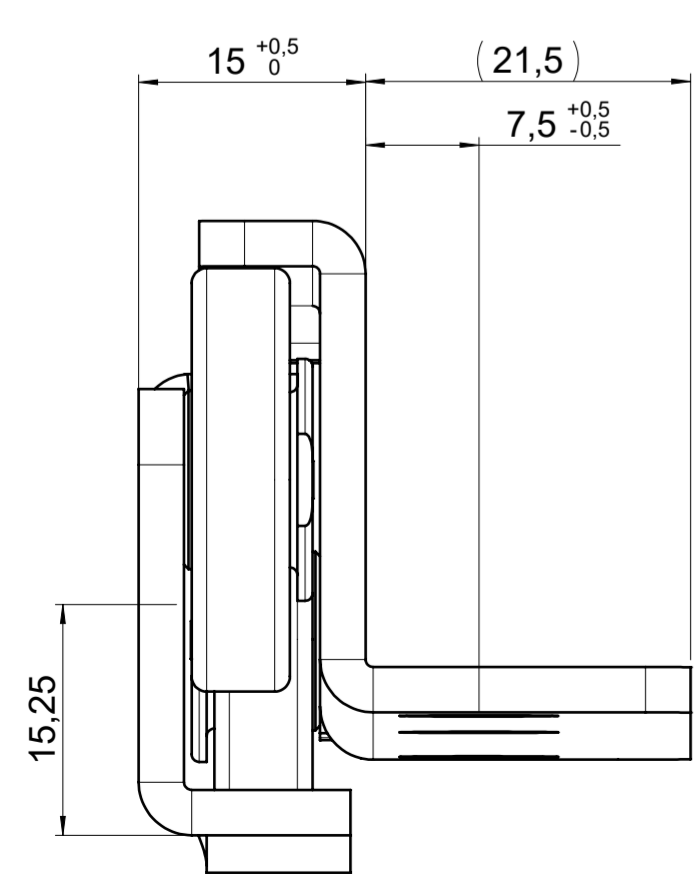
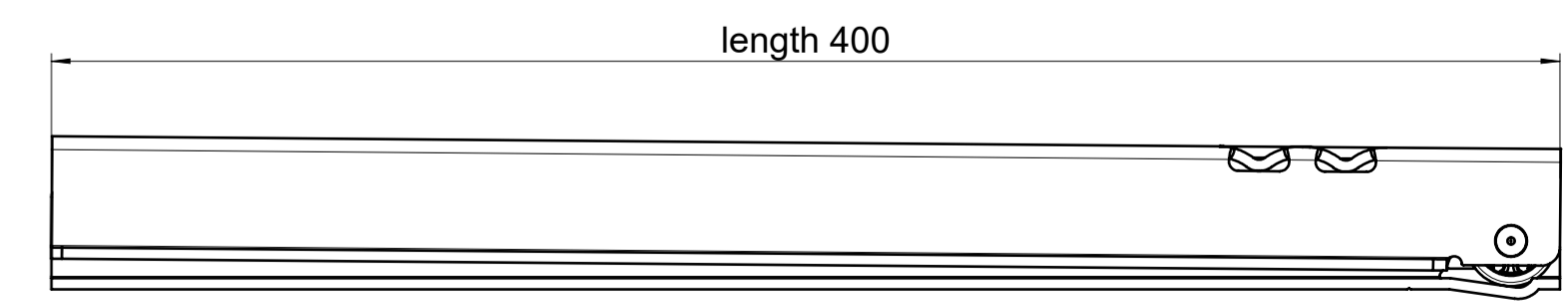
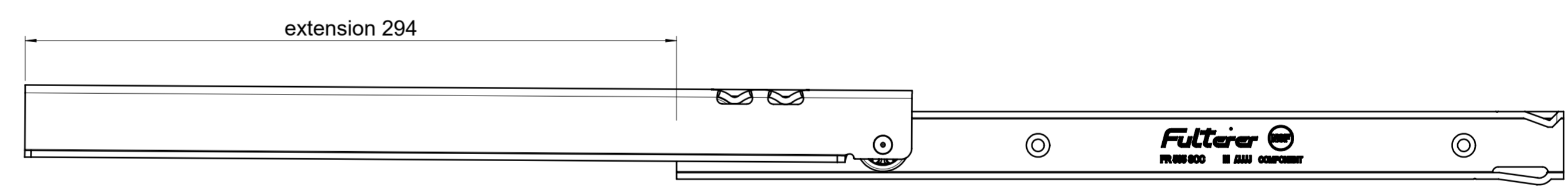
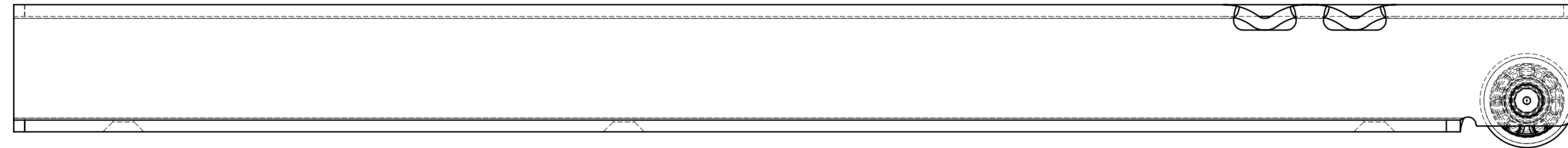
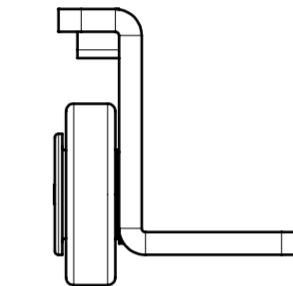
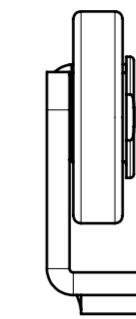
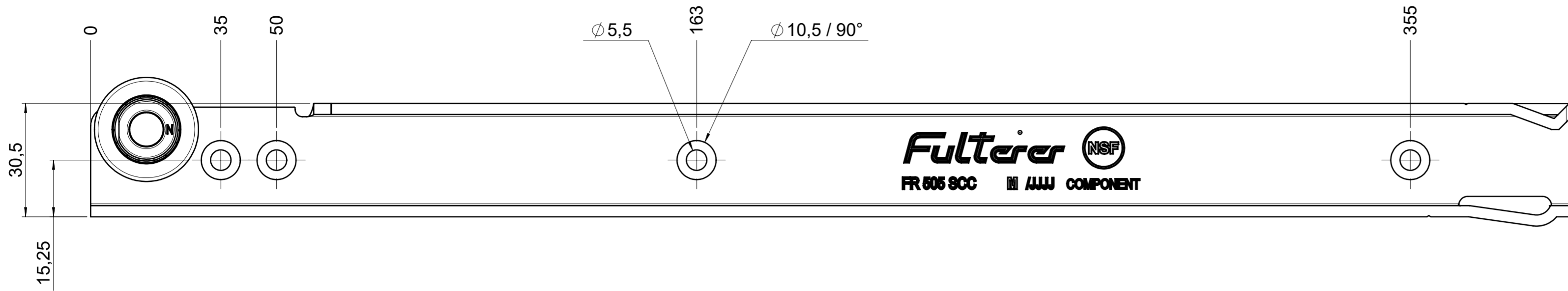


drawn left (right mirrorimage)



**final approval**

customer name:

signed by:

date:

all dimensions in mm				DIN ISO 128-30 missing dimensions see 3D = theor. intersection	
This drawing remains our property and may not be multiplied neither be disclosed to third parties (§§1,3 and 5 from the copyright Act (UrhG)) covered according to DIN ISO 16016					
scale: 1:1		surface:		material, semi finished parts: CS (technical requirements Fulterer)	
drawn 23-01-2023		date 01-02-2023		description: FR 505 / 40 CS EN (mm) regular-extension drawerside / bottom mount	
proven 01-02-2023		name ex pr		drawing number: CS# 505.400-GA.0000	
		<b>Fulterer AG &amp; Co KG</b> A-6890 Lustenau / Austria <b>Fulterer AG</b> CH-9430 St. Margrethen		replaces version date:	
(k)	changes	date	na.		