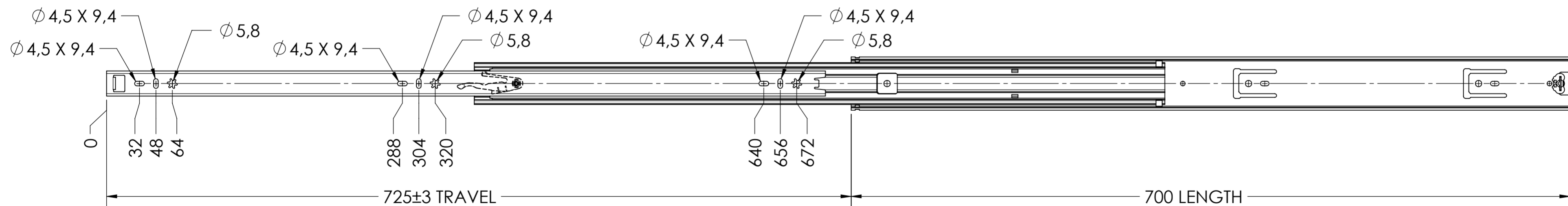
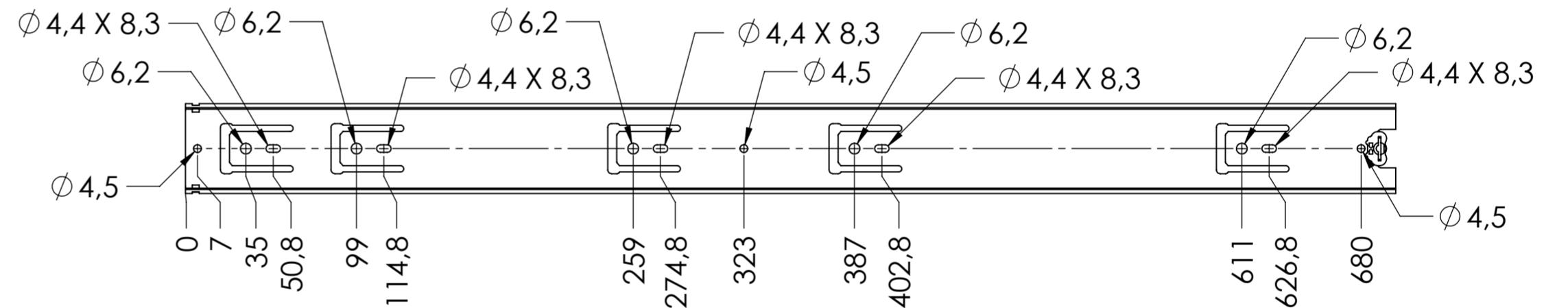


### CABINET MOUNTING HOLES



### RECOMMENDED HARDWARE:

CABINET- M4 BUTTON HEAD M5 FLATHEAD #8 TRUSS HEAD #10 FLAT HEAD SCREW

DRAWER- M4 BUTTON HEAD M5 FLATHEAD #8 TRUSS HEAD #10 FLAT HEAD SCREW

|  |         |   |          |
|--|---------|---|----------|
| general tolerances   |         | missing dimensions see 3D = theor. intersection |          |
| ISO 2768-m   |         |   |          |
| This drawing remains our property and may not be multiplied neither be disclosed to third parties (§§1,3 and 5 from the copyright Act (UrhG)) covered according to DIN ISO 16016 |         |   |          |
| (k)  |         | scale:  | surface: |
| (l)  |         | 1:3   |          |
| (m)  |         | date  | name     |
| (n)  |         | drawn 06-11-2018                                | HB       |
| (o)  |         | proven 00-00-0000                               | 00       |
| (p)  |         | <b>Fulterer</b>                                 |          |
| (q)  |         |   |          |
| (r)  |         | Fulterer AG & Co KG                             |          |
| (s)  |         | A-6890 Lustenau / Austria                       |          |
| (t)  |         | Fulterer AG                                     |          |
| (u)  |         | CH-9430 St. Margrethen                          |          |
| (v)  |         | drawing number:                                 |          |
| (w)  |         | <b>5210.700-GA.T030</b>                         |          |
| (x)  |         | replaces version date:                          |          |
| (y)  |         |   |          |
| (z)  |         |   |          |
| ind.   | changes | date  | na.      |