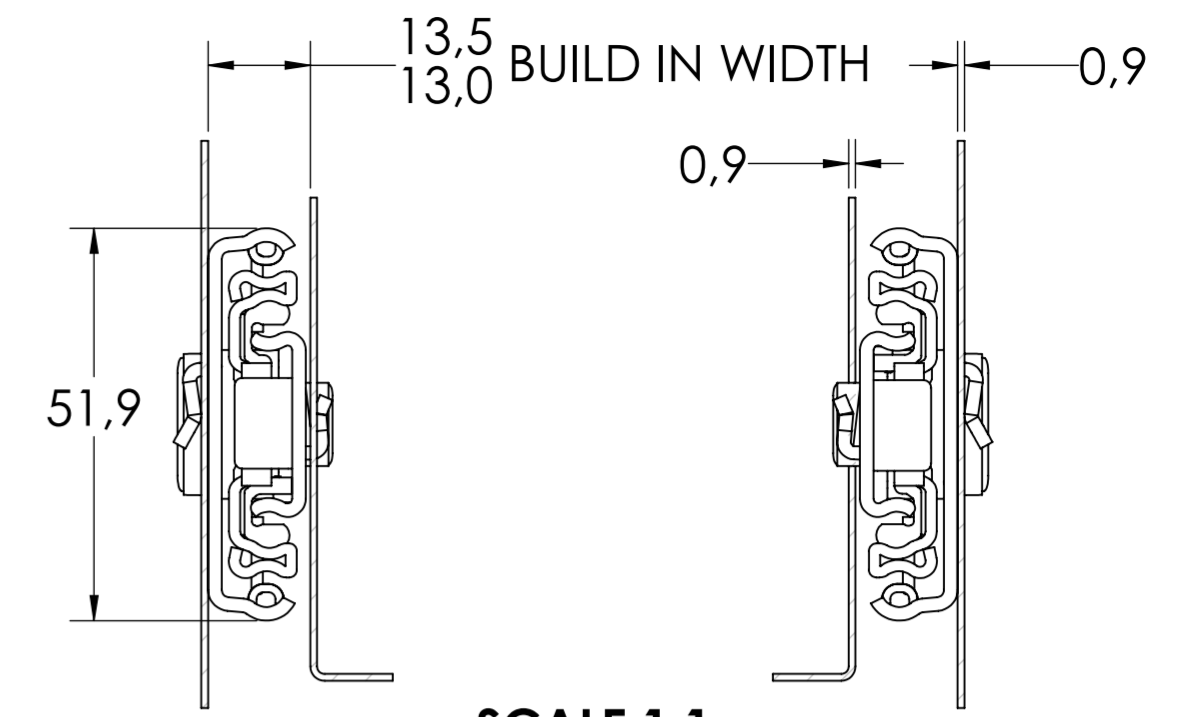
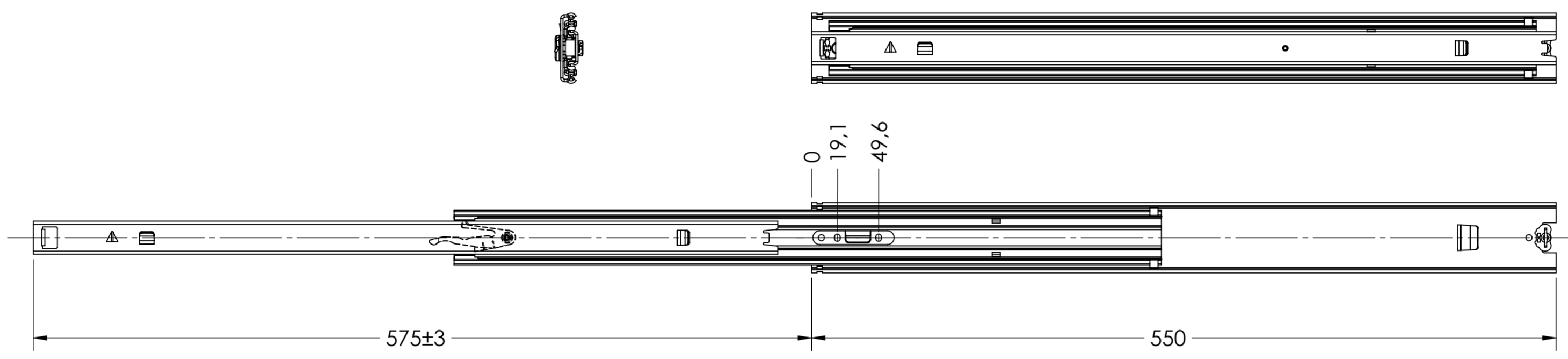


5210.550-GA.T102

X

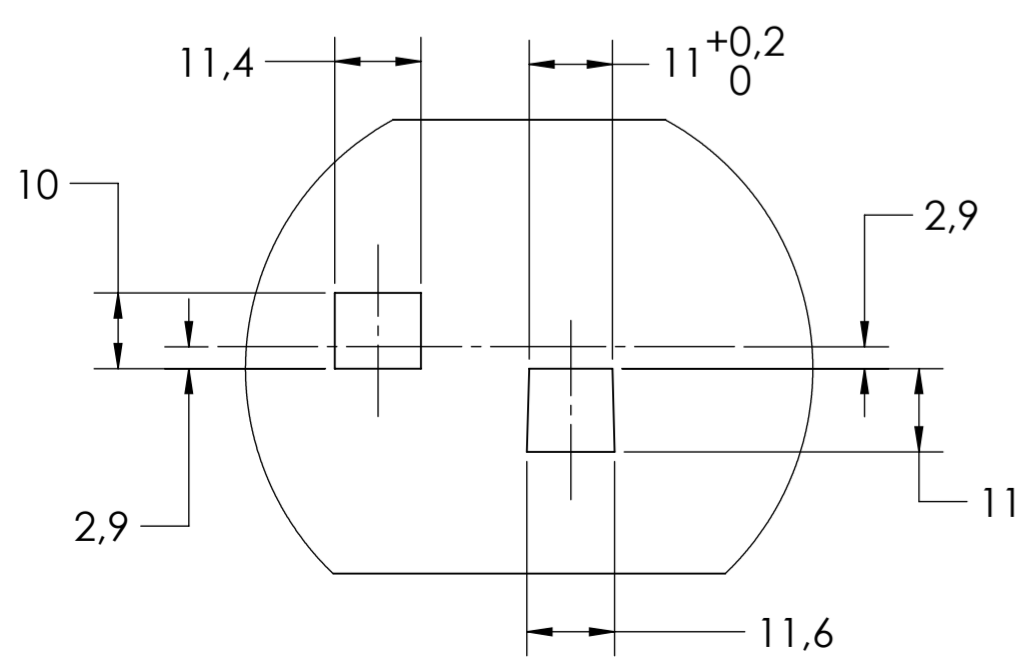
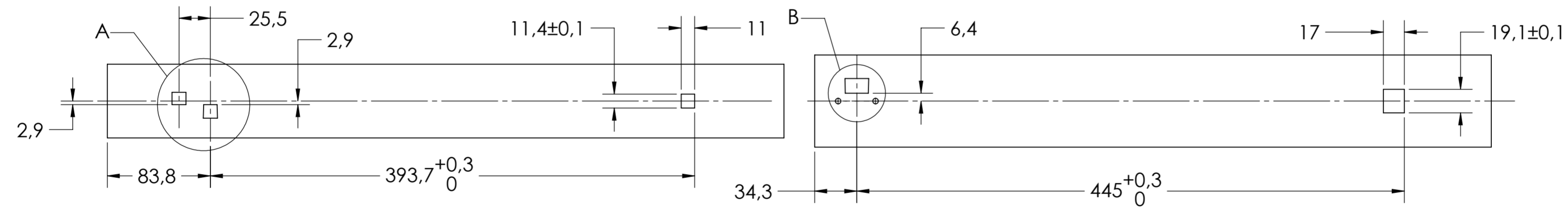


SCALE 1:1

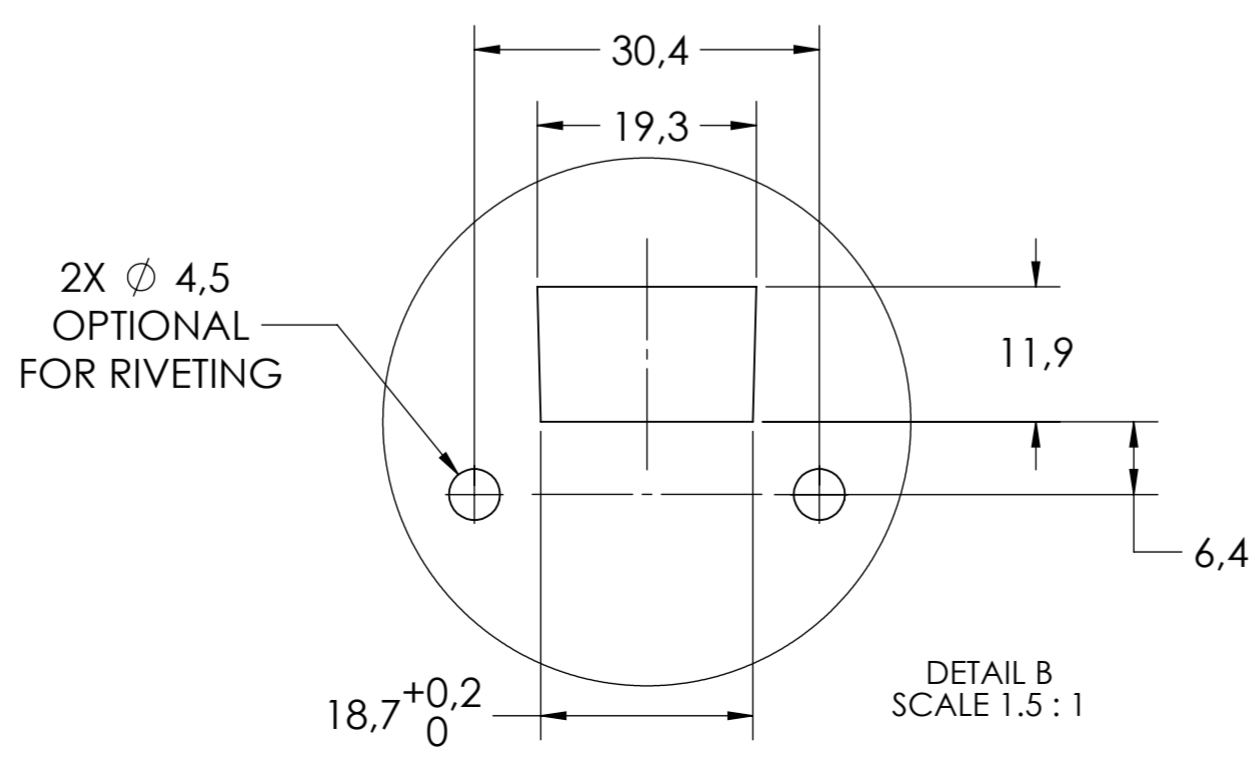


DRAWER MOUNTING CUTOUTS

CABINET MOUNTING CUTOUTS



DETAIL A
SCALE 1:1



DETAIL B
SCALE 1.5:1

general tolerances		DIN ISO 128-30	
ISO 2768-m		missing dimensions see 3D = theor. intersection	
This drawing remains our property and may not be multiplied neither be disclosed to third parties (§§1,3 and 5 from the copyright Act (UrhG)) covered according to DIN ISO 16016			
scale: 1:3		surface: A2	
drawn: 12-06-2019		name: HB	
proven: 00-00-0000		date: 00	
description:		material, semi finished parts: STEEL (technical requirements Fulterer)	
description: SIDE MOUNT OVER EXTENSION SMT (0.9) DRAWER SLIDE WITH DRAWER DISCONNECT		drawing number: 5210.550-GA.T102	
drawing number: 5210.550-GA.T102		replaces version date:	
ind. changes	date	na.	