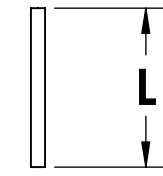
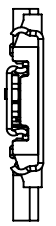
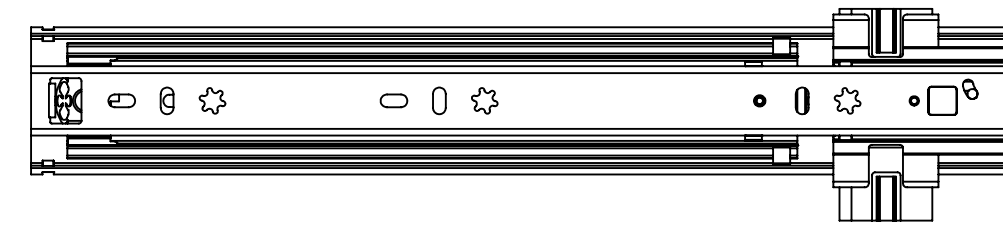
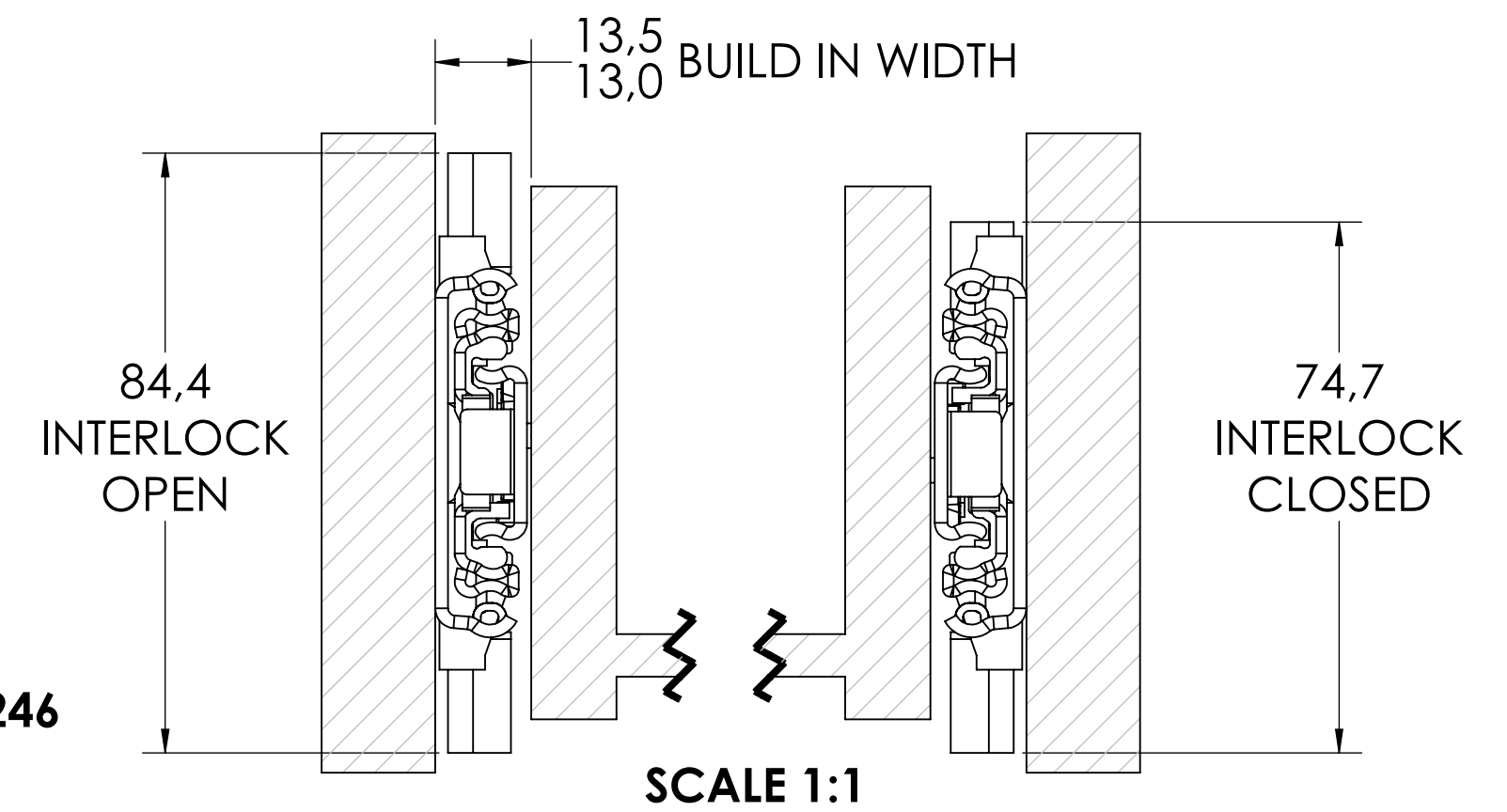


SCALE 1:4
NOTE: 450mm LENGTH SHOWN

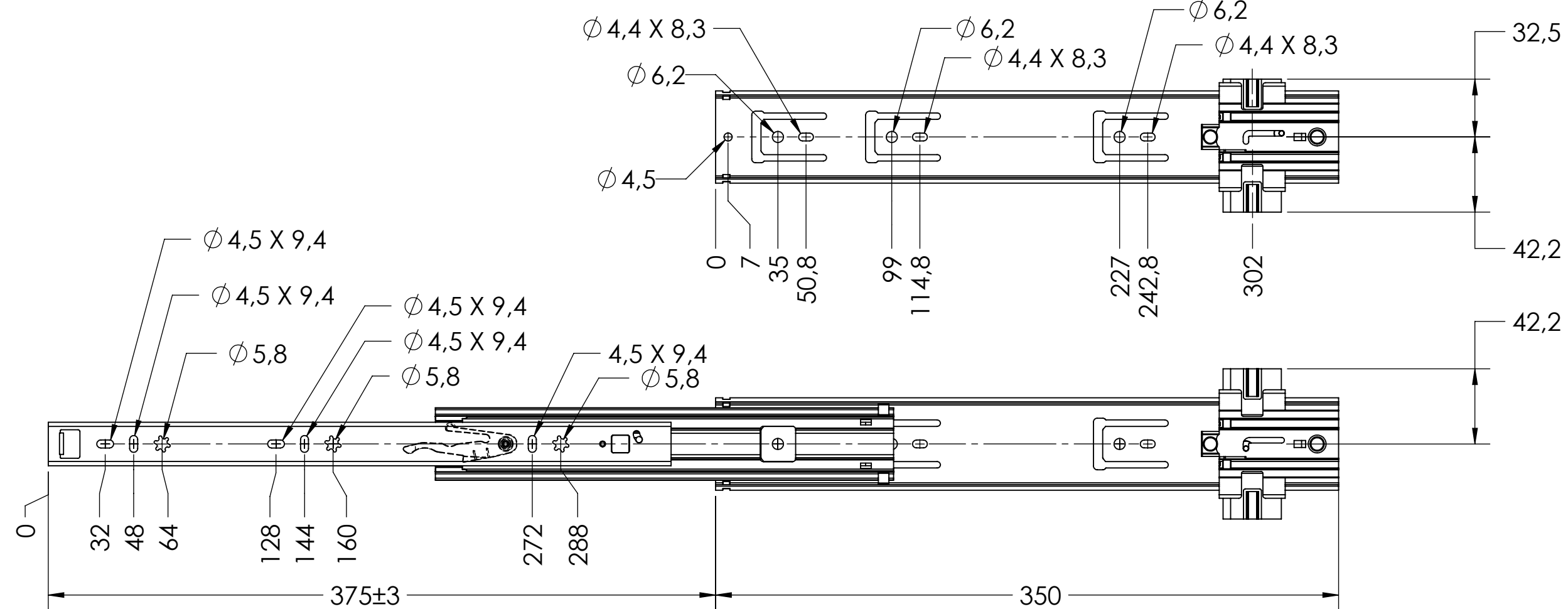
RECOMMENDED MINIMUM DISTANCE BETWEEN SLIDES "A" = 90mm



ROD LENGTH $L^{+0.5} = A-44$
 $\varnothing 5$ mm ROD
FULTERER PART NUMBER 400246



CABINET MOUNTING HOLES



RECOMMENDED HARDWARE:

CABINET- M4 BUTTON HEAD OR #8 TRUSS HEAD SCREW

DRAWER- M4 BUTTON HEAD OR #8 TRUSS HEAD SCREW

INTERLOCK- $\varnothing 5$ mm ALUMINUM ROD **FULTERER PART NUMBER 400246**

| | | | |
|---|--|--|---|
| general tolerances | | DIN ISO 128-30 missing dimensions see 3D = theor. intersection | |
| ISO 2768-m | | | |
| This drawing remains our property and may not be multiplied neither be disclosed to third parties (§§1,3 and 5 from the copyright Act (UrhG)) covered according to DIN ISO 16016 | | | |
| (k) | scale: | 3:8 | surface: |
| (l) | date: | 25-02-2019 | name: |
| (m) | drawn: | HB | description: |
| (n) | proven: | 00-00-0000 | 00 |
| (o) | Fulterer | | material, semi finished parts: |
| (p) | Fulterer AG & Co KG A-6890 Lustenau / Austria | | STEEL (technical requirements Fulterer) |
| (q) | Fulterer AG CH-9430 St. Margrethen | | description: SIDE MOUNT OVER EXTENSION INTERLOCK DRAWER SLIDE WITH DRAWER DISCONNECT |
| (r) | drawing number: | | A2 |
| (s) | 5219.350-GA.T037 | | |
| (t) | replaces version date: | | |
| (u) | ind. | changes | date |
| (v) | na. | 00-00-0000 | 0 |