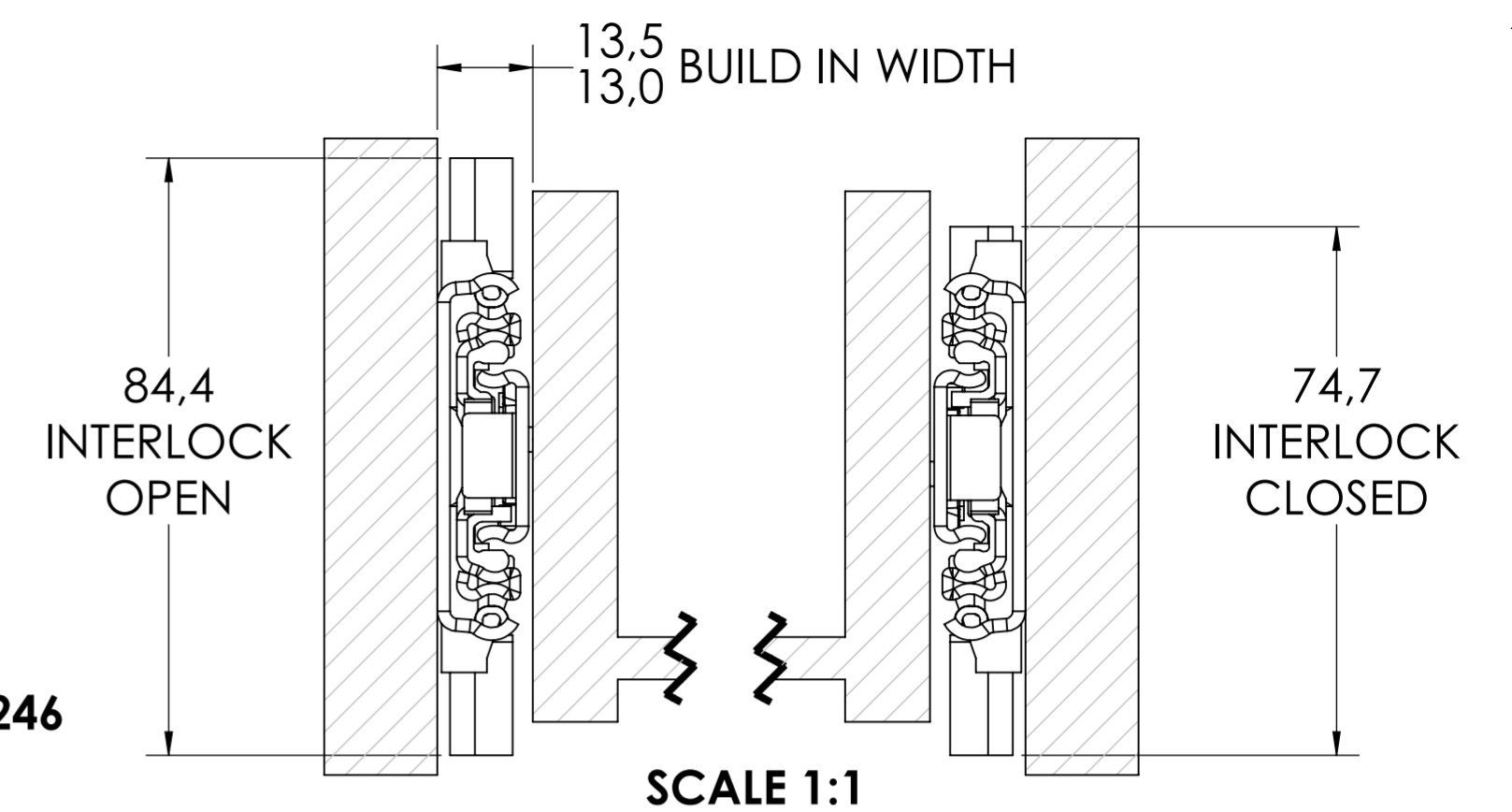


ROD LENGTH $L^{+0}_{-0.5} = A-44$
 $\varnothing 5\text{mm}$ ROD
FULTERER PART NUMBER 400246

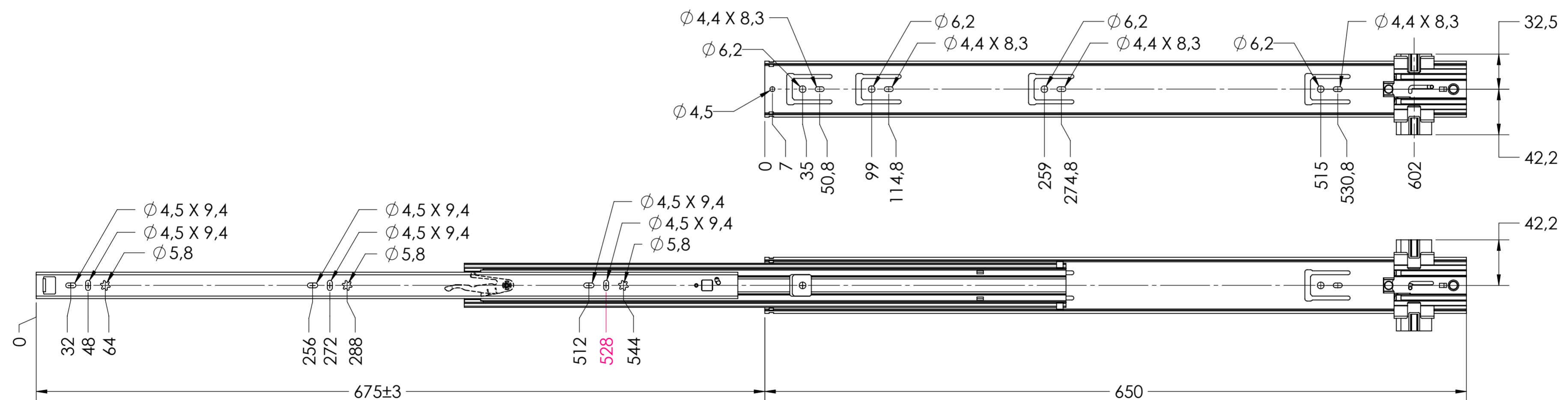


SCALE 1:4
 NOTE: 450mm LENGTH SHOWN

RECOMMENDED MINIMUM DISTANCE BETWEEN SLIDES "A" = 90mm



CABINET MOUNTING HOLES



RECOMMENDED HARDWARE:

CABINET- M4 BUTTON HEAD OR #8 TRUSS HEAD SCREW

DRAWER- M4 BUTTON HEAD OR #8 TRUSS HEAD SCREW

INTERLOCK- $\varnothing 5\text{mm}$ ALUMINUM ROD **FULTERER PART NUMBER 400246**

general tolerances		DIN ISO 128-30 missing dimensions see 3D = theor. intersection	
ISO 2768-m			
This drawing remains our property and may not be multiplied neither be disclosed to third parties (§§1,3 and 5 from the copyright Act (UrhG)) covered according to DIN ISO 16016			
(k)	scale:	1:3	surface:
(l)	date:	25-02-2019	name:
(m)	drawn:	HB	description:
(n)	proven:	00-00-0000	00
(o)	Fulterer		material, semi finished parts:
(p)	Fulterer AG & Co KG		STEEL
(q)	A-6890 Lustenau / Austria		(technical requirements Fulterer)
(r)	Fulterer AG		drawing number:
(s)	CH-9430 St. Margrethen		5219.650-GA.T037
(t)	changes		replaces version date:
(u)	date:	00-00-0000	0
(v)	na.		