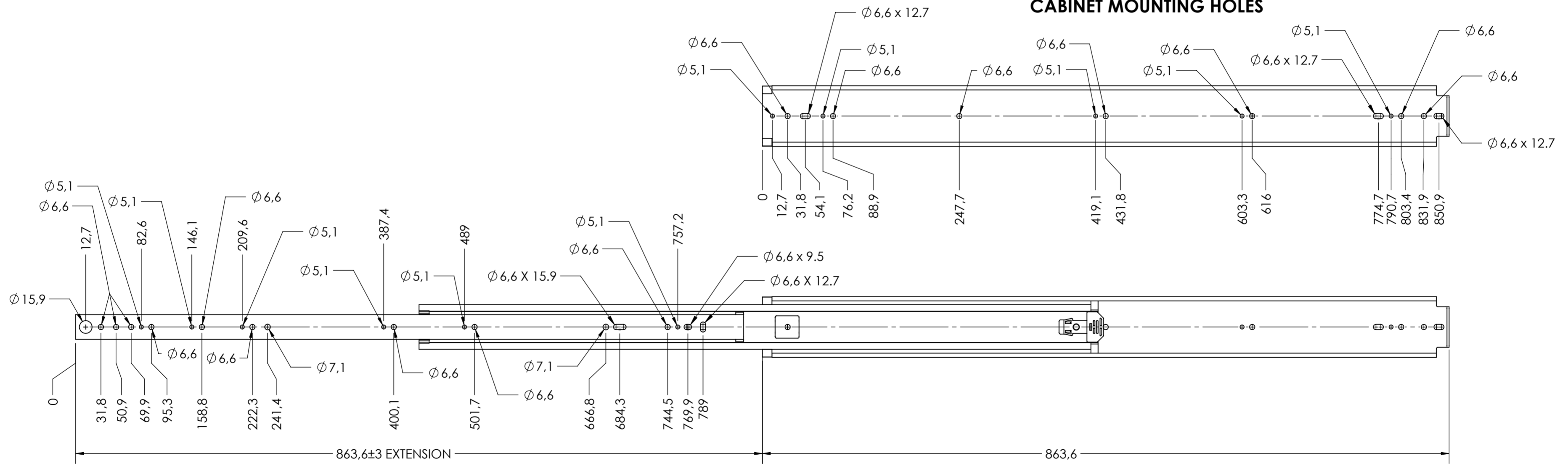


### CABINET MOUNTING HOLES



RECOMMENDED HARDWARE:  
 CABINET- M6 OR 1/4 BUTTON HEAD SCREWS  
 DRAWER- M6 OR 1/4 BUTTON HEAD SCREWS

general tolerances		DIN ISO 128-30 missing dimensions see 3D = theor. intersection	
ISO 2768-m			
This drawing remains our property and may not be multiplied neither be disclosed to third parties (§§1,3 and 5 from the copyright Act (UrhG))			
covered according to DIN ISO 16016		scale:	surface:
(k)		1:4	
(l)		date	name
(m)		drawn 27-07-2018	HB
(n)		proven 00-00-0000	00
(o)		<b>Fulterer</b>	
(p)			
(q)		Fulterer AG & Co KG A-6890 Lustenau / Austria	
(r)		Fulterer AG CH-9430 St. Margrethen	
(s)	UPDATE TITLE BLOCK	19-03-2019	HB
(t)	changes	date	na.
(u)			
(v)			
(w)			
(x)			
(y)			
(z)			
		drawing number: <b>5400.34-GA.T018</b>	
		replaces version date:	