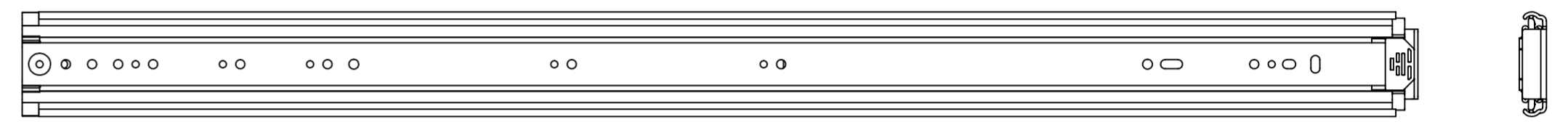
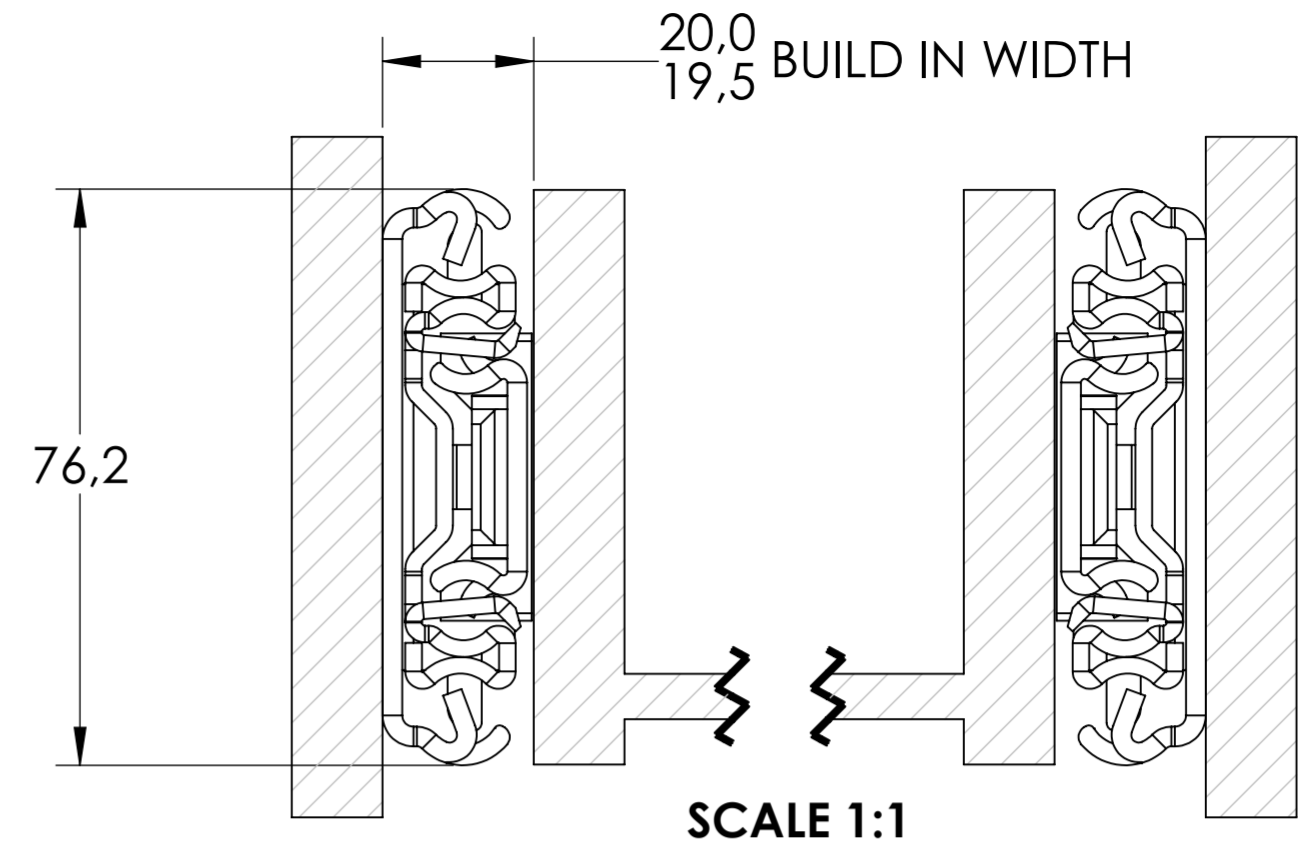
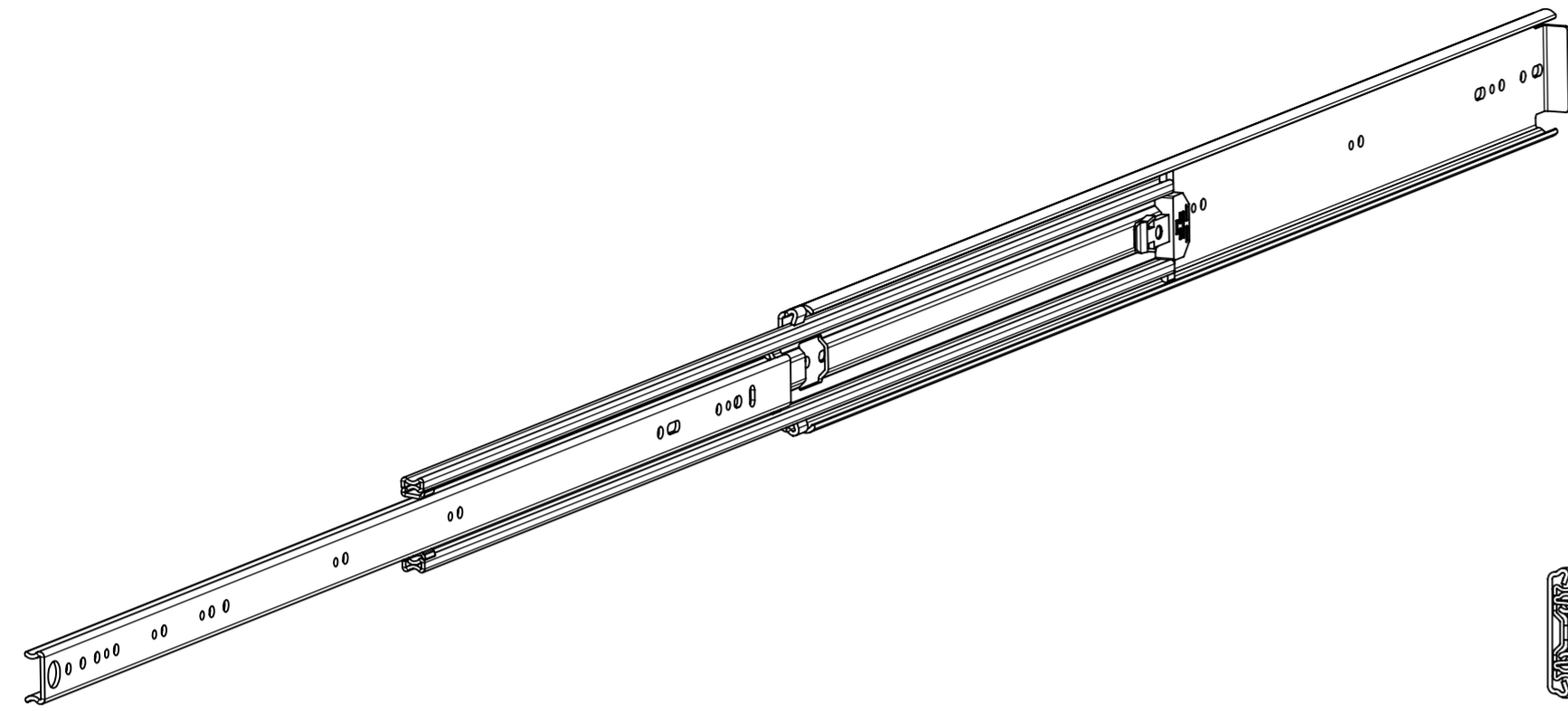
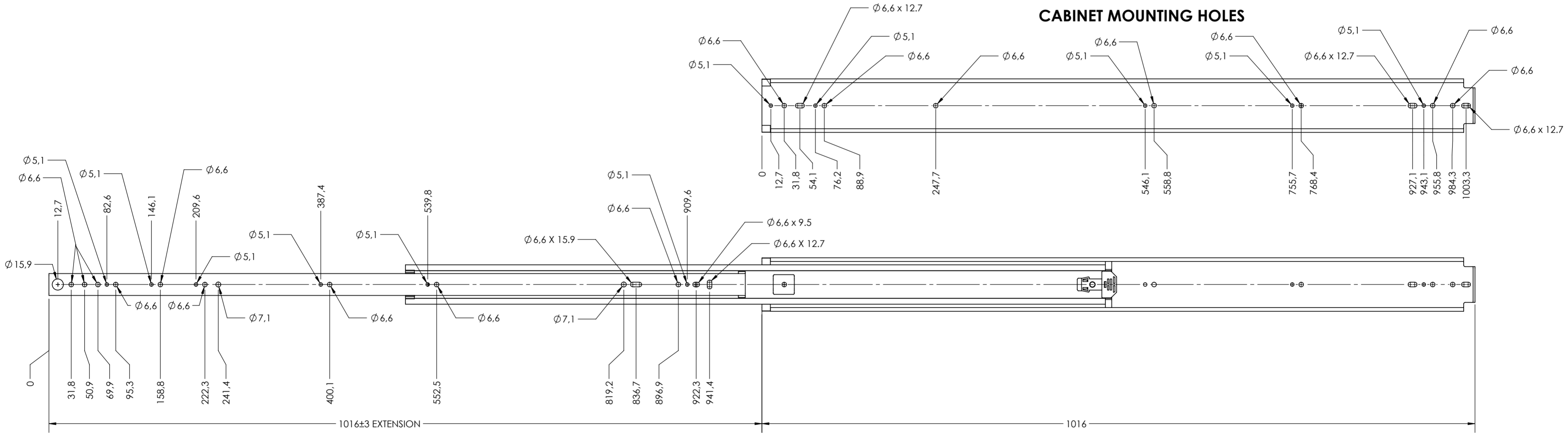


5400.40-GA.T018

X



CABINET MOUNTING HOLES



RECOMMENDED HARDWARE:
 CABINET- M6 OR 1/4 BUTTON HEAD SCREWS
 DRAWER- M6 OR 1/4 BUTTON HEAD SCREWS

general tolerances		DIN ISO 128-30 missing dimensions see 3D = theor. intersection	
ISO 2768-m			
This drawing remains our property and may not be multiplied neither be disclosed to third parties (§§1,3 and 5 from the copyright Act (UrhG)) covered according to DIN ISO 16016			
(k)	scale:	1:4	surface:
(l)	date:	27-07-2018	name:
(m)	drawn:	HB	description:
(n)	proven:	00-00-0000	00
(o)	Fulterer		FULL EXTENSION SIDE MOUNT HEAVY DUTY DRAWER SLIDE NON-DISCONNECT
(p)			
(q)	drawing number:		5400.40-GA.T018
(r)	replaces version date:		
(s)	UPDATE TITLE BLOCK	19-03-2019	HB
(t)	changes	date	na.
(u)	Fulterer AG CH-9430 St. Margrethen		