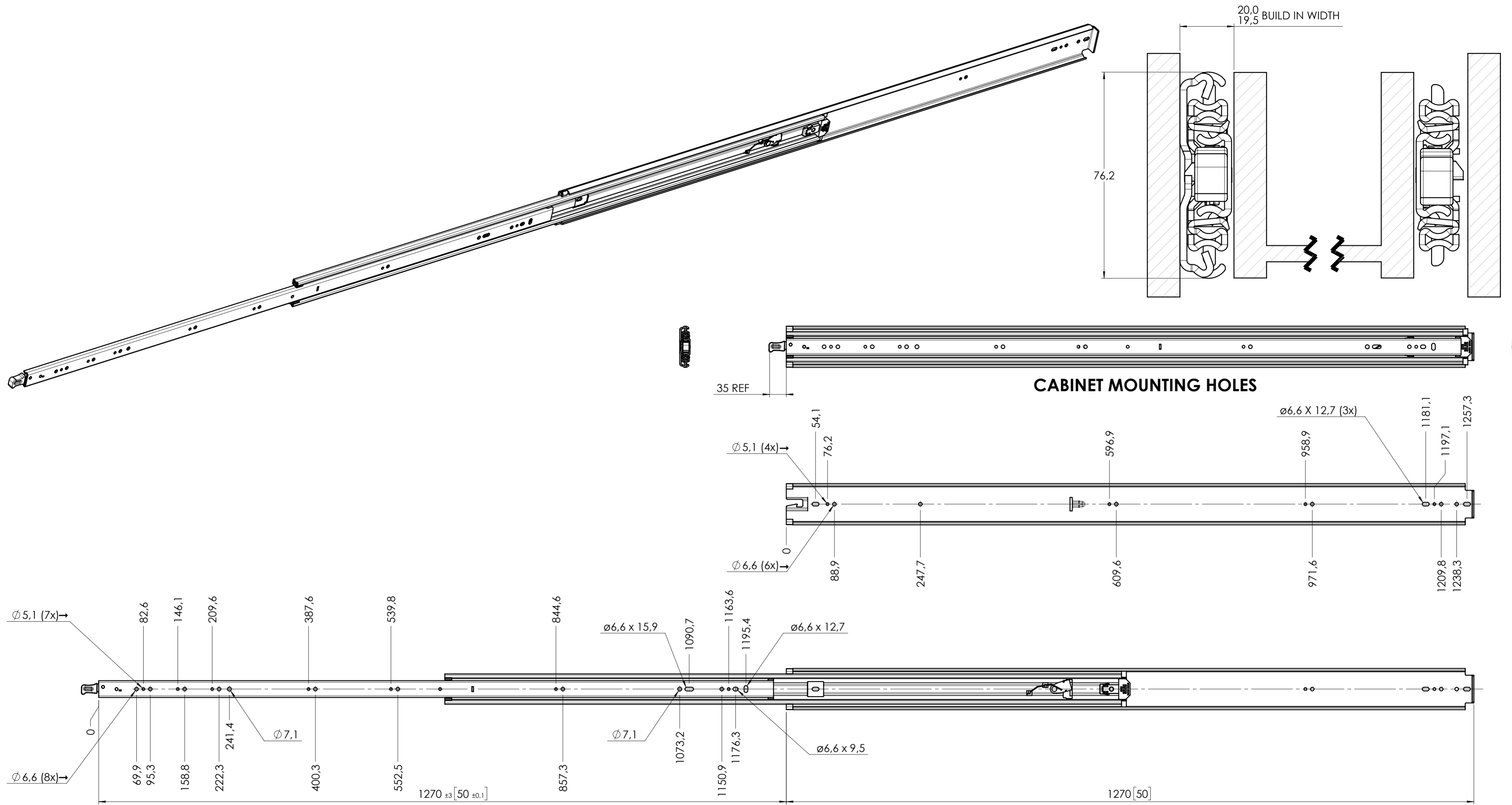


5400.50-GA.T054

X



RECOMMENDED HARDWARE:
 CABINET- M6 OR 1/4 BUTTON HEAD SCREWS
 DRAWER- M6 OR 1/4 BUTTON HEAD SCREWS

general tolerances		DIN ISO 128-30	
ISO 2768-m		missing dimensions see 3D = theor. intersection	
This drawing remains our property and may not be multiplied neither be disclosed to third parties (§§1,3 and 5 from the copyright Act (UrhG)) covered according to DIN ISO 16016			
scale: 1:5		surface: A2	
date: 27-05-2020		name: MW	
drawn: 27-05-2020		proven: 00-00-0000	
proven: 00-00-0000		description: FULL EXTENSION FLAT MOUNT HEAVY DUTY LOCK-IN/LOCK OUT NON-DISCONNECT SLIDE	
drawing number: 5400.50-GA.T054		replaces version date:	
Fulterer AG & Co KG A-6890 Lustenau / Austria		Fulterer AG CH-9430 St. Margrethen	
ind. changes		date na.	