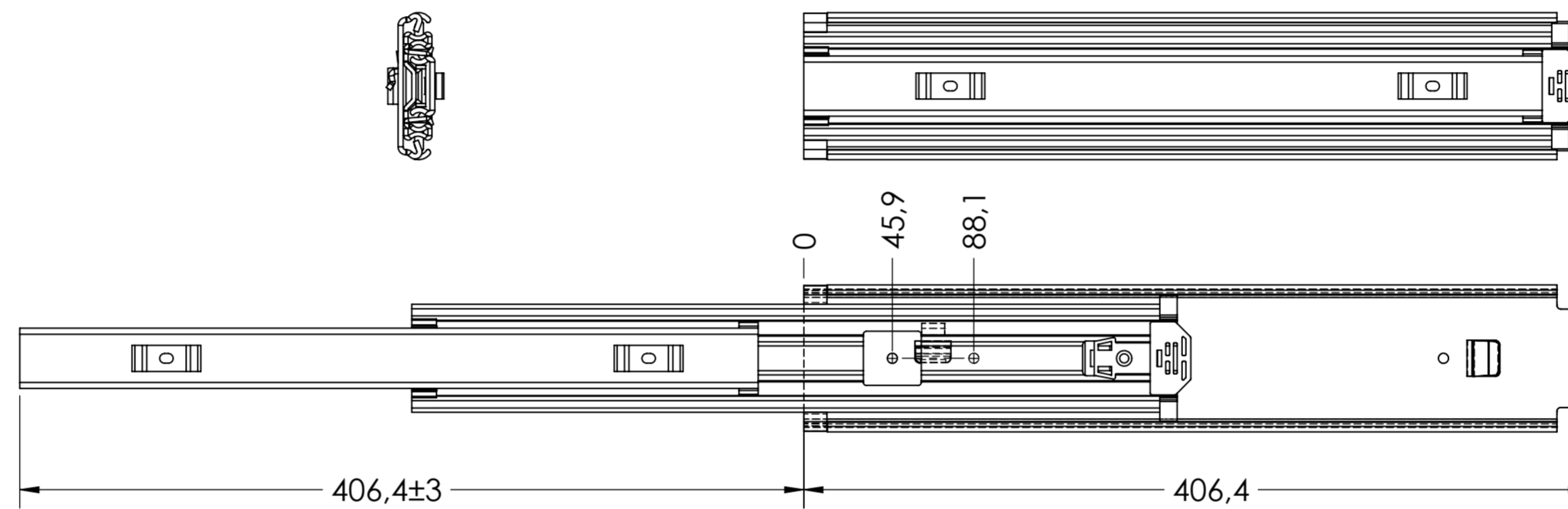
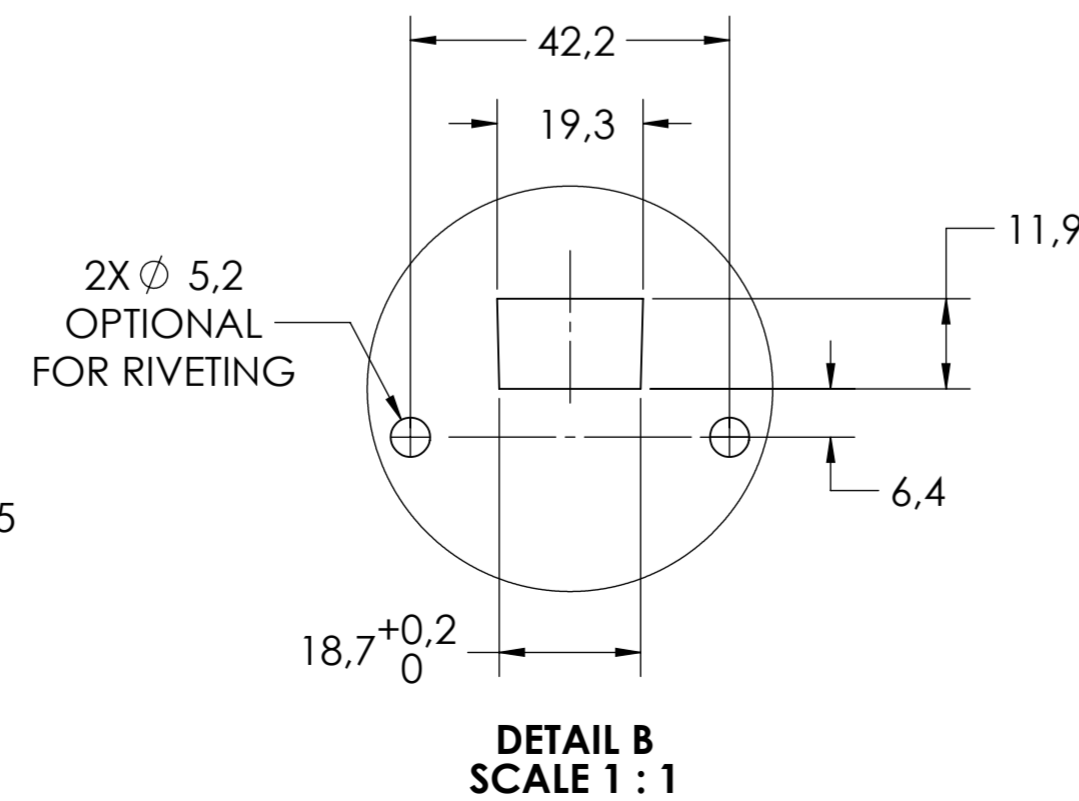
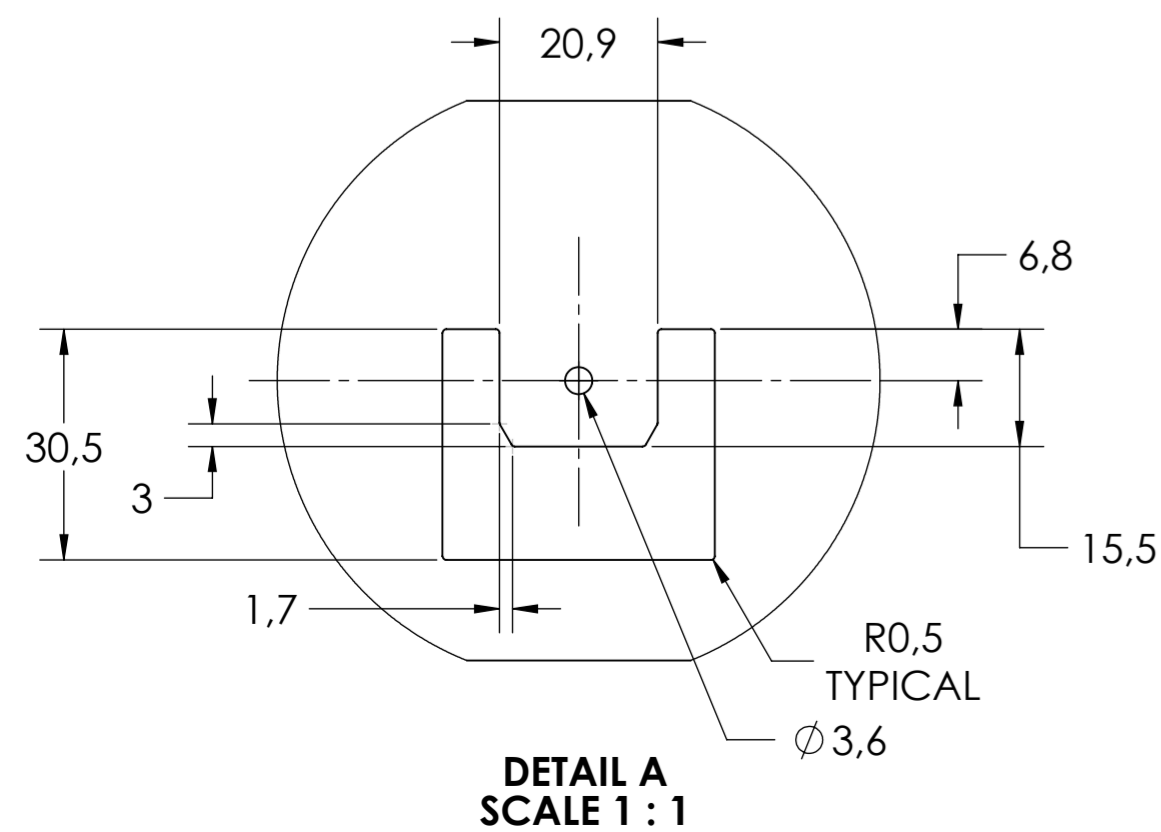
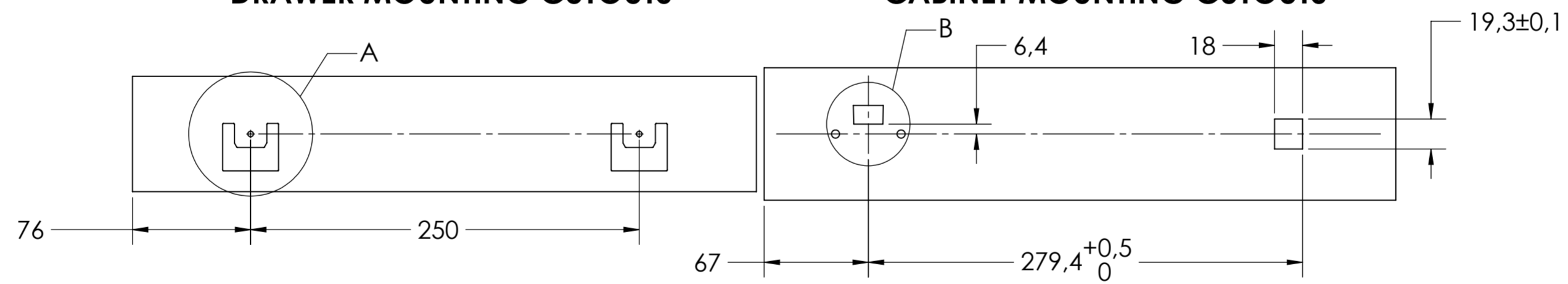


SCALE 1:1



DRAWER MOUNTING CUTOUTS

CABINET MOUNTING CUTOUTS



| | | | |
|--|---------|---|-----|
| general tolerances | | DIN ISO 128-30 missing dimensions see 3D = theor. intersection | |
| ISO 2768-m | | | |
| This drawing remains our property and may not be multiplied neither be disclosed to third parties (§§1,3 and 5 from the copyright Act (UrhG)) covered according to DIN ISO 16016 | | | |
| scale: 1:3 | | surface: A2 | |
| drawn: 30-07-2019 | | name: HB | |
| proven: 00-00-0000 | | 00 | |
| | | material, semi finished parts: STEEL (technical requirements Fulterer) | |
| | | description: SIDE MOUNT FULL EXTENSION HD SMT SLIDE FOR 1.5mm THICK MATERIAL NON-DISCONNECT | |
| drawing number: 5400.16-GA.T114 | | replaces version date: | |
| ind. | changes | date | na. |