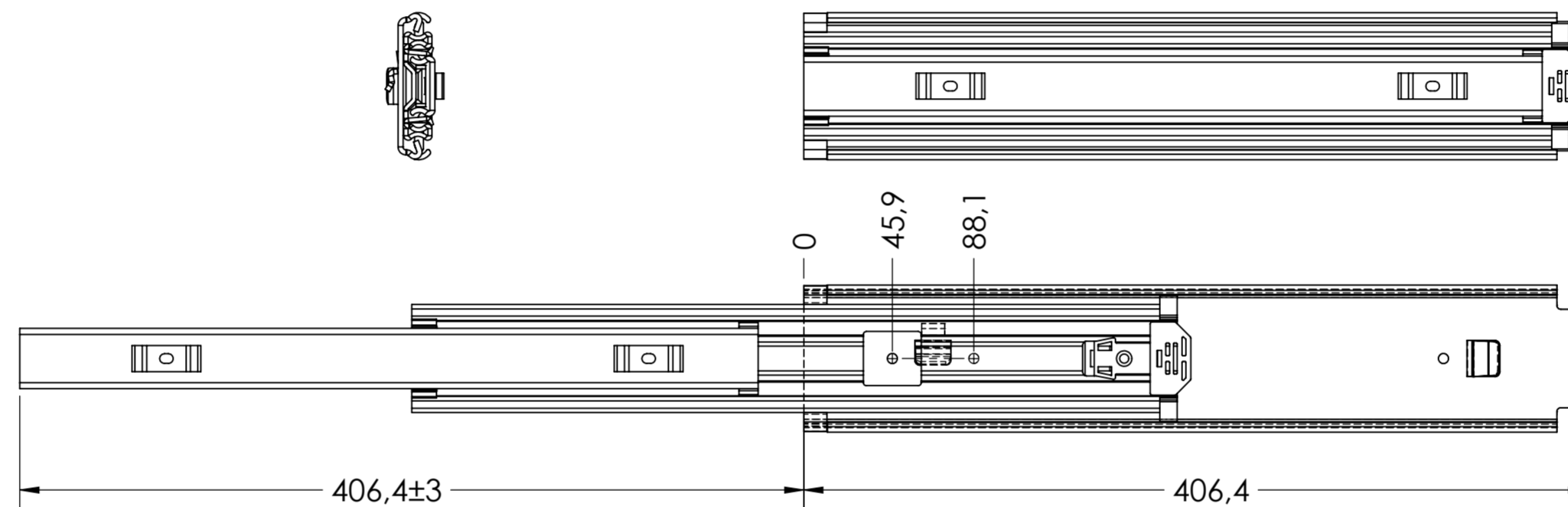
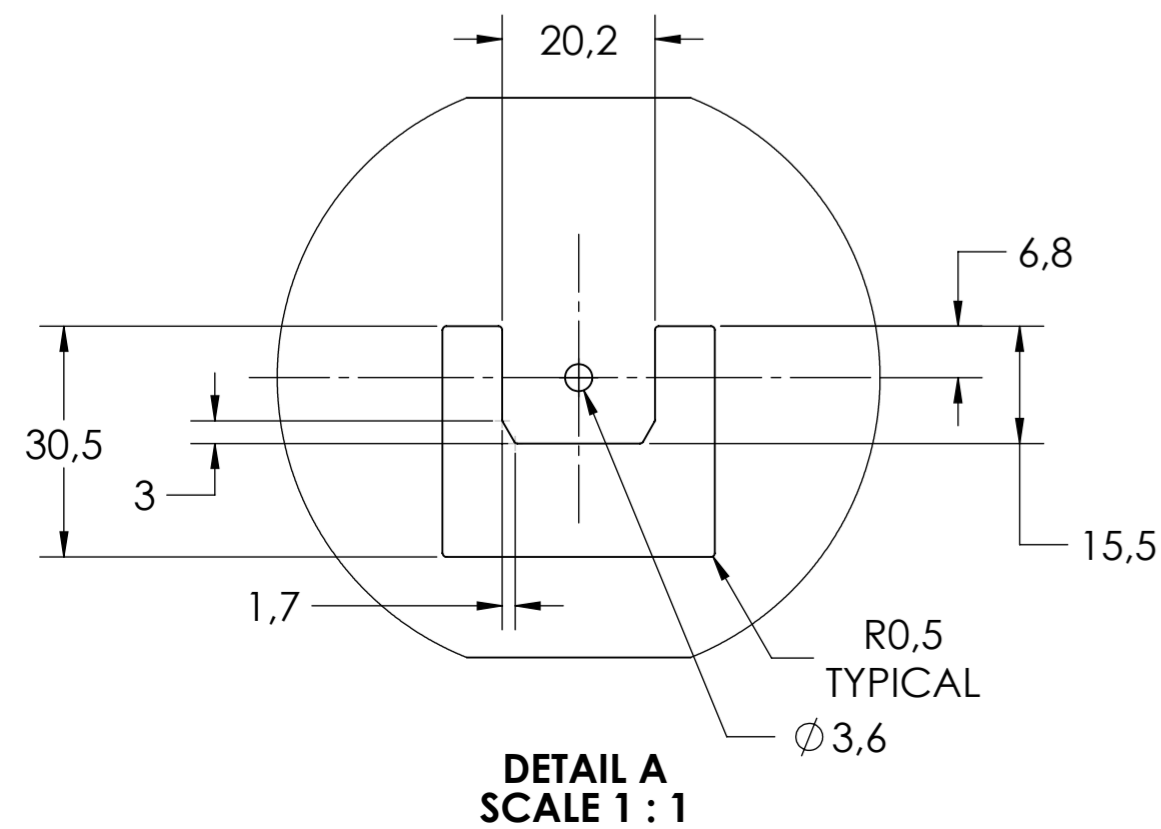
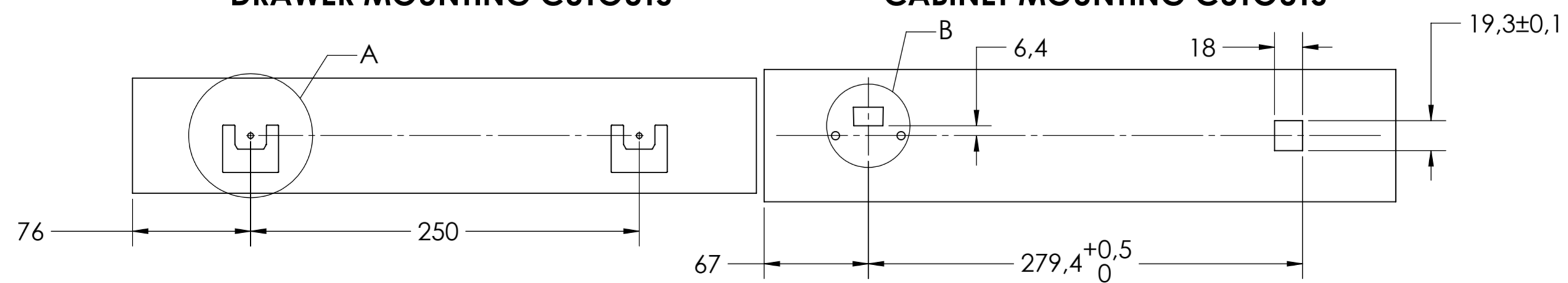


SCALE 1:1

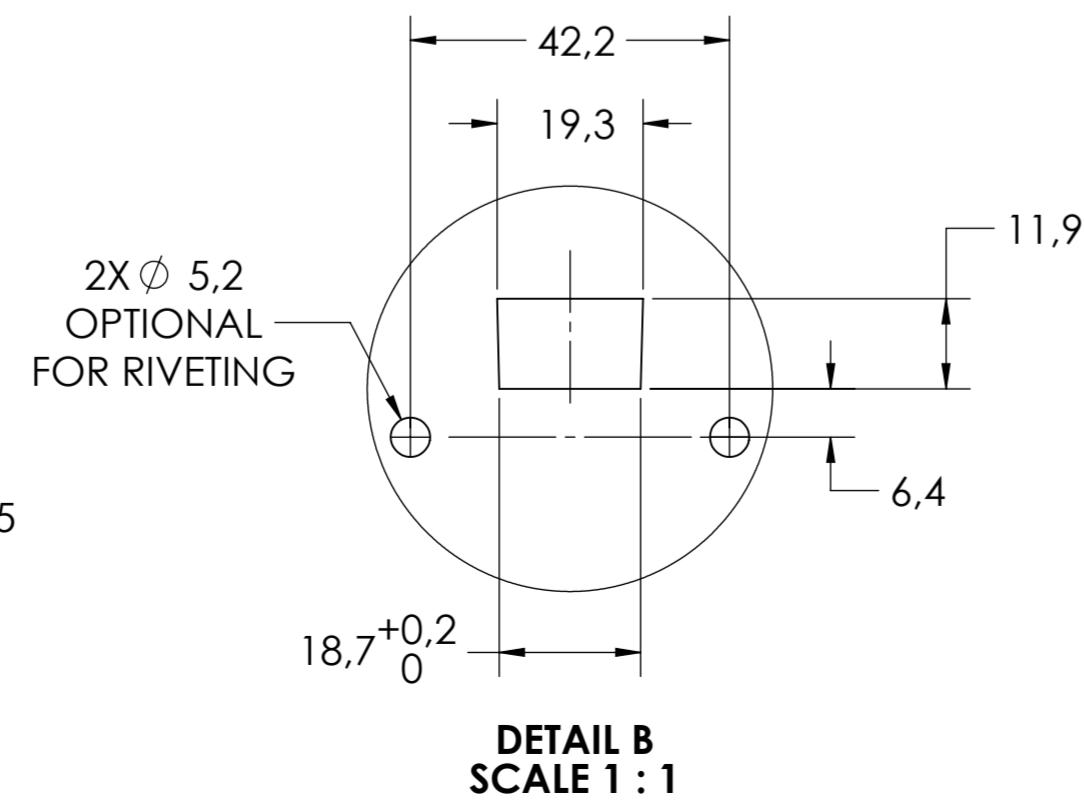


**DRAWER MOUNTING CUTOUTS**

**CABINET MOUNTING CUTOUTS**



**DETAIL A**  
SCALE 1:1



**DETAIL B**  
SCALE 1:1

general tolerances		DIN ISO 128-30 missing dimensions see 3D = theor. intersection	
ISO 2768-m			
This drawing remains our property and may not be multiplied neither be disclosed to third parties (§§1,3 and 5 from the copyright Act (UrhG)) covered according to DIN ISO 16016			
scale: 1:3		surface: A2	
drawn: 31-05-2019		name: HB	
proven: 00-00-0000		00	
description:		material, semi finished parts: STEEL (technical requirements Fulterer)	
description:		description: SIDE MOUNT FULL EXTENSION HD SMT SLIDE FOR 1.9mm THICK MATERIAL NON-DISCONNECT	
drawing number:		drawing number: 5400.16-GA.T115	
replaces version date:		replaces version date:	
ind.	changes	date	na.
0		00-00-0000	0