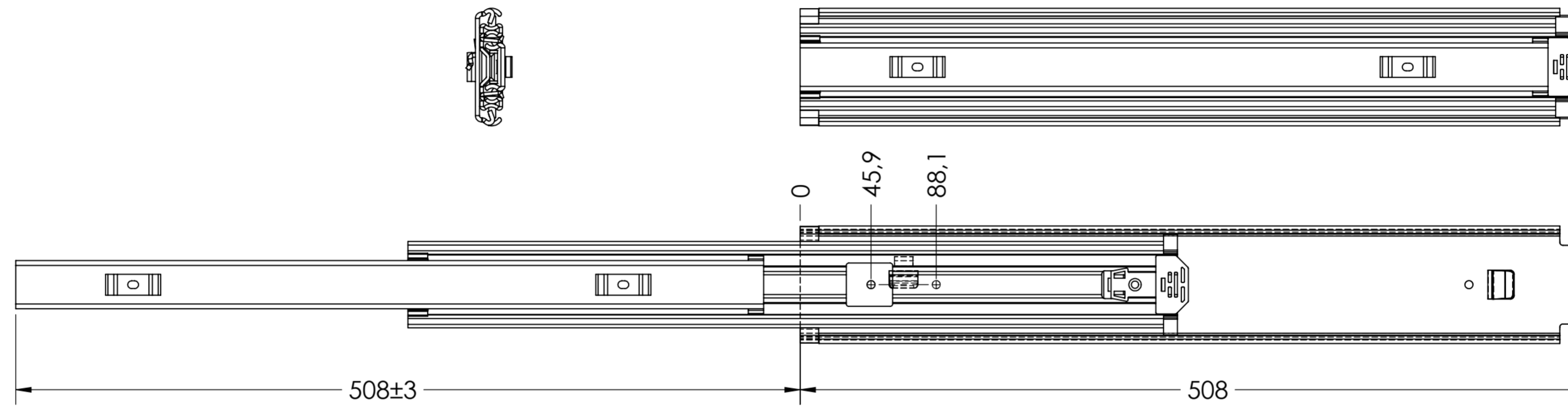
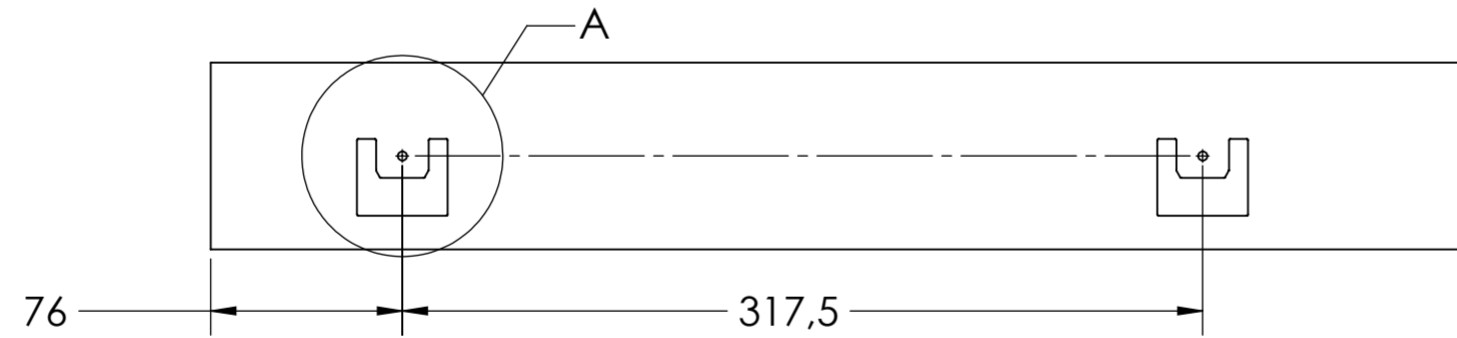


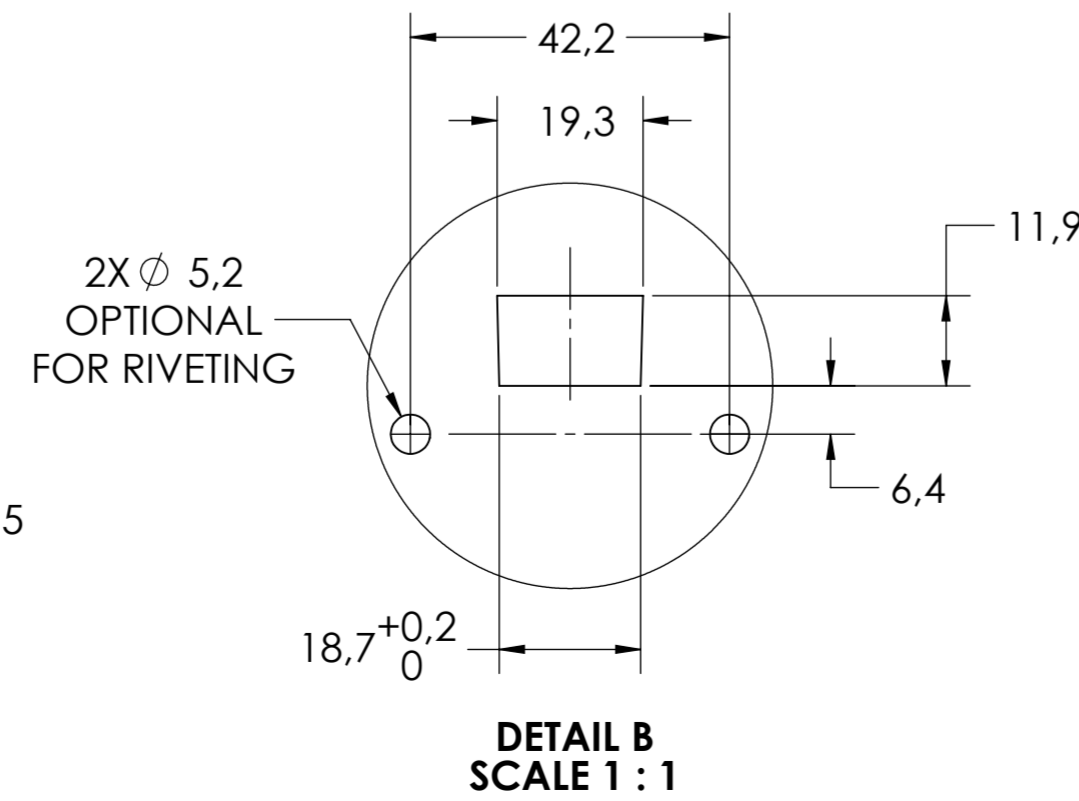
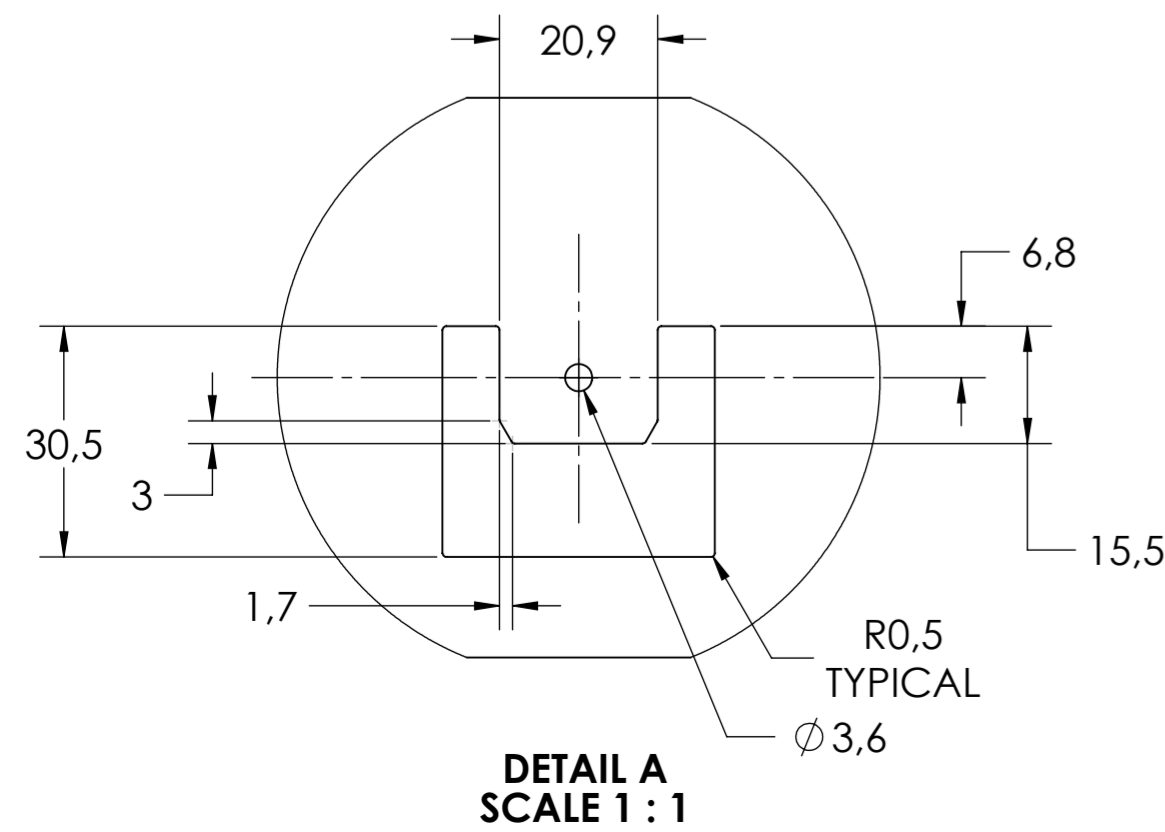
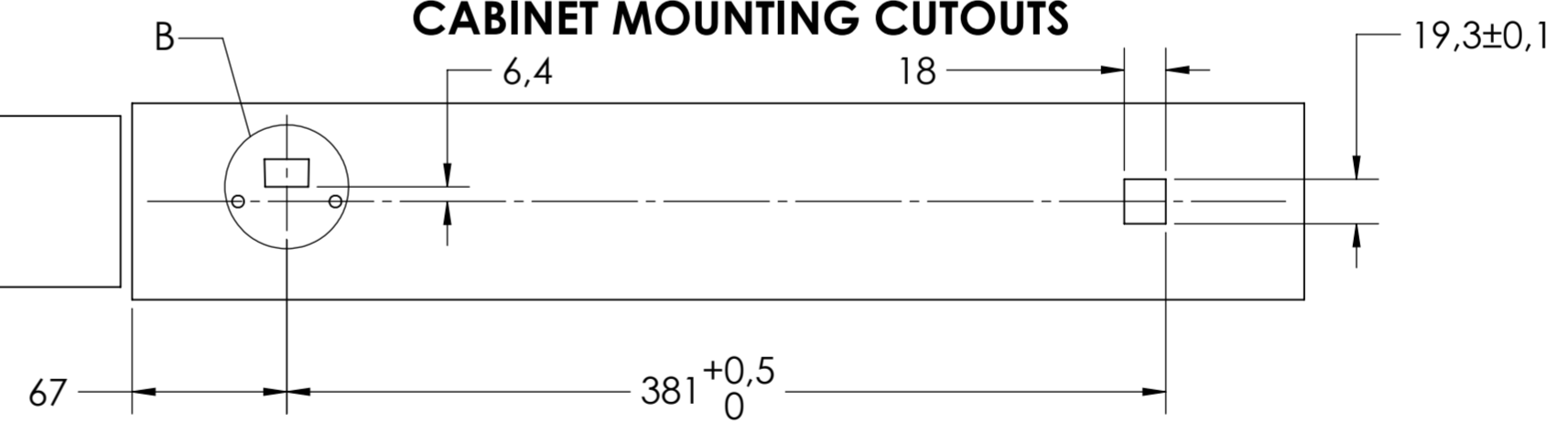
SCALE 1:1



DRAWER MOUNTING CUTOUTS



CABINET MOUNTING CUTOUTS



general tolerances		DIN ISO 128-30 missing dimensions see 3D = theor. intersection	
ISO 2768-m			
This drawing remains our property and may not be multiplied neither be disclosed to third parties (§§1,3 and 5 from the copyright Act (UrhG)) covered according to DIN ISO 16016			
scale: 1:3		surface: A2	
drawn: 30-07-2019		name: HB	
proven: 00-00-0000		description: SIDE MOUNT FULL EXTENSION HD SMT SLIDE FOR 1.5mm THICK MATERIAL NON-DISCONNECT	
		drawing number: 5400.20-GA.T114	
		replaces version date:	
ind. 0	changes	date 00-00-0000	na. 0