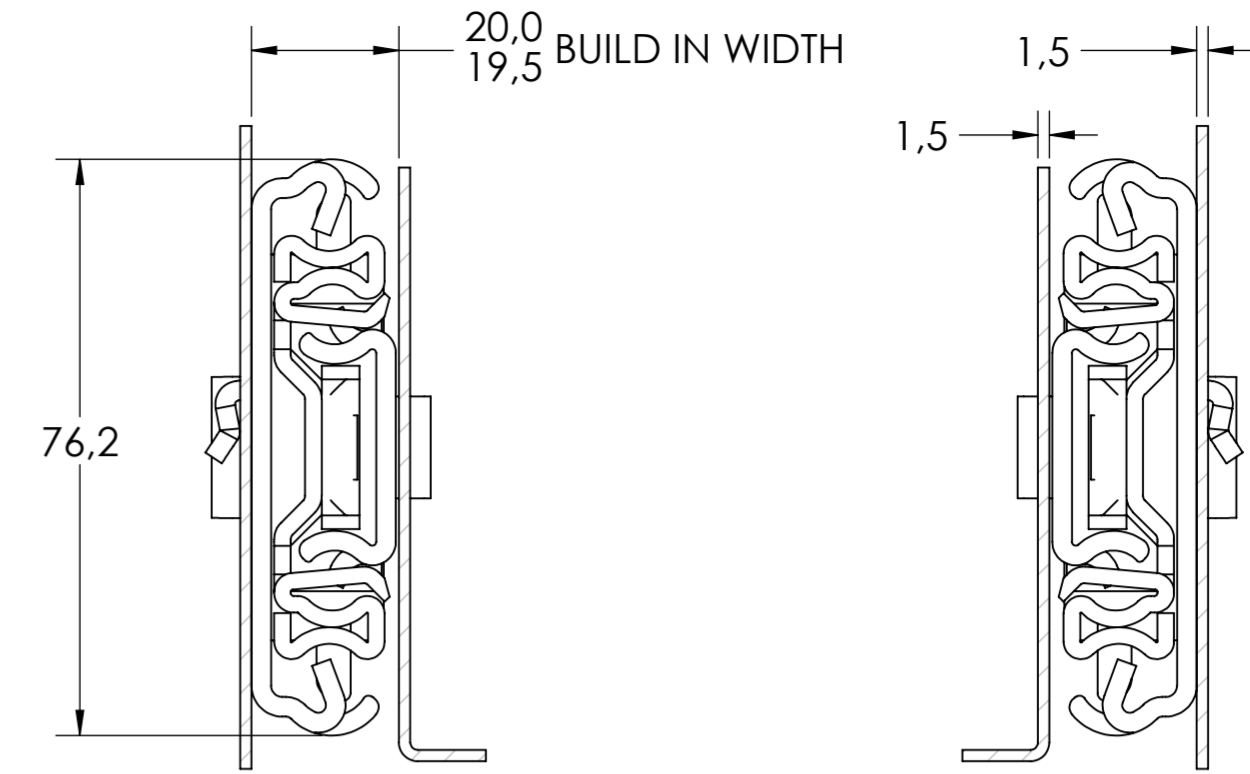
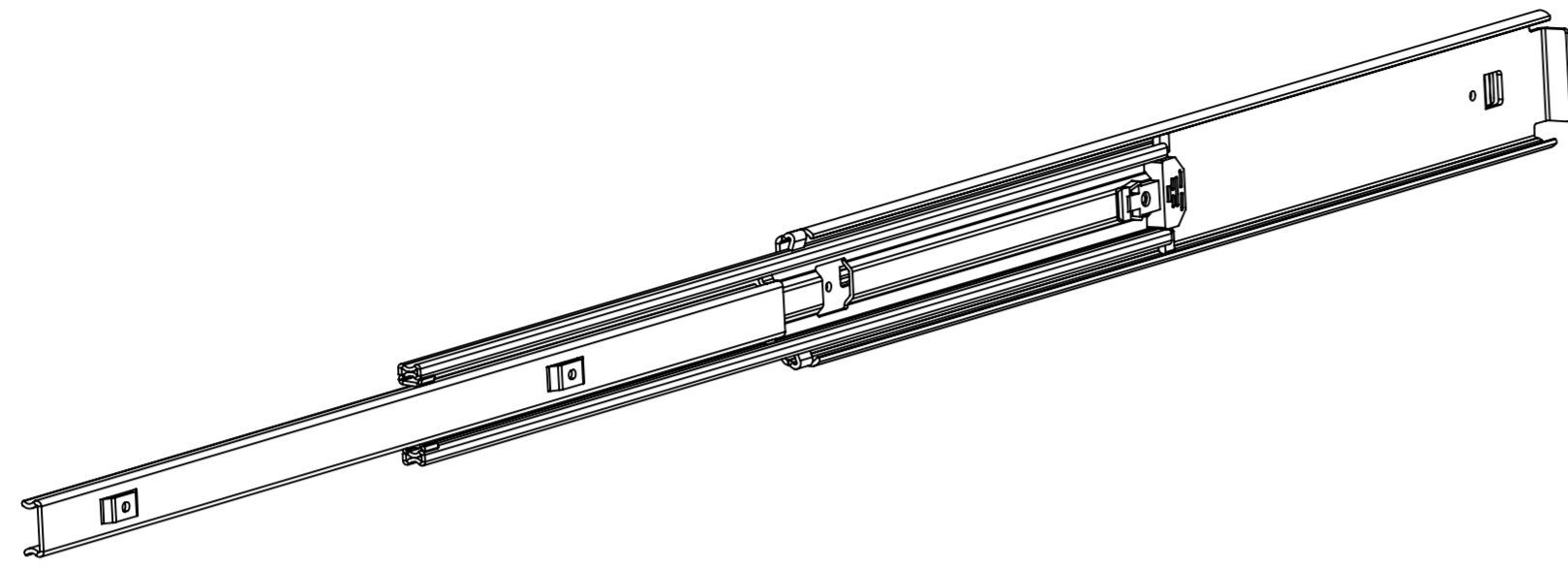
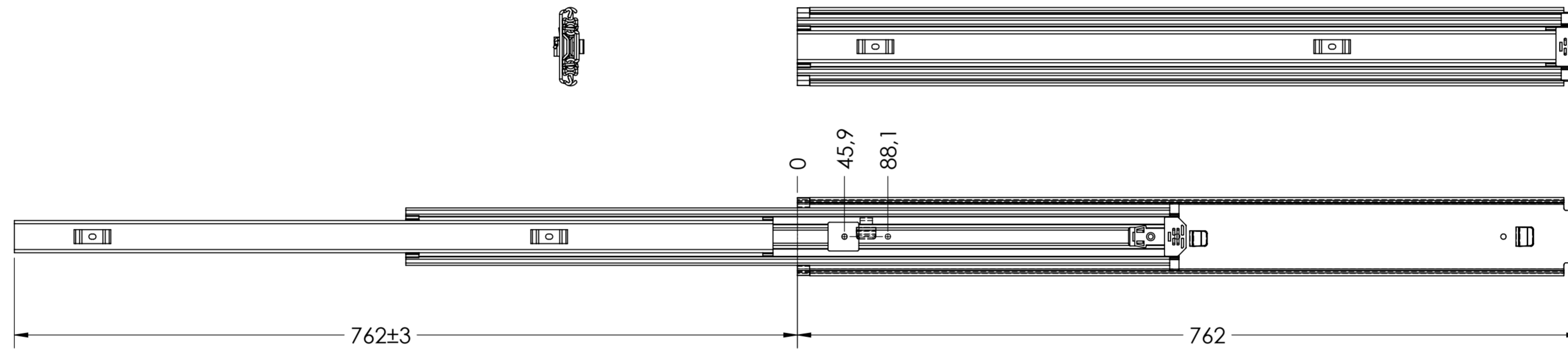


# 5400.30-GA.T114

X

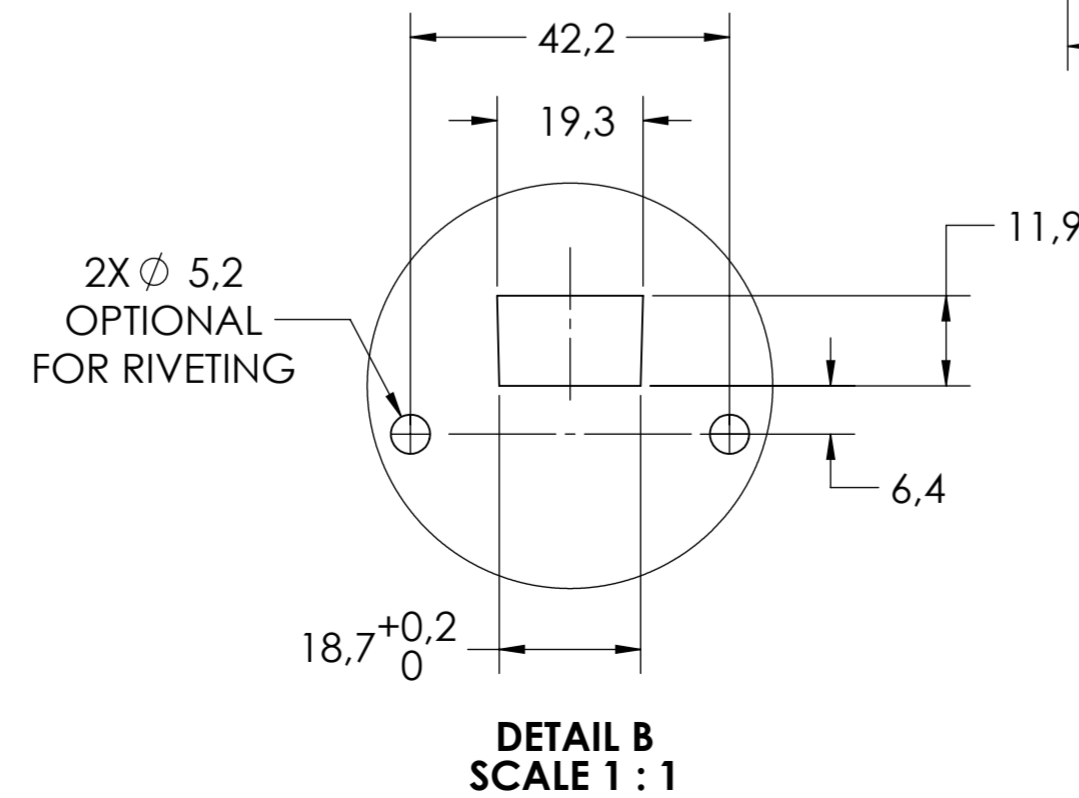
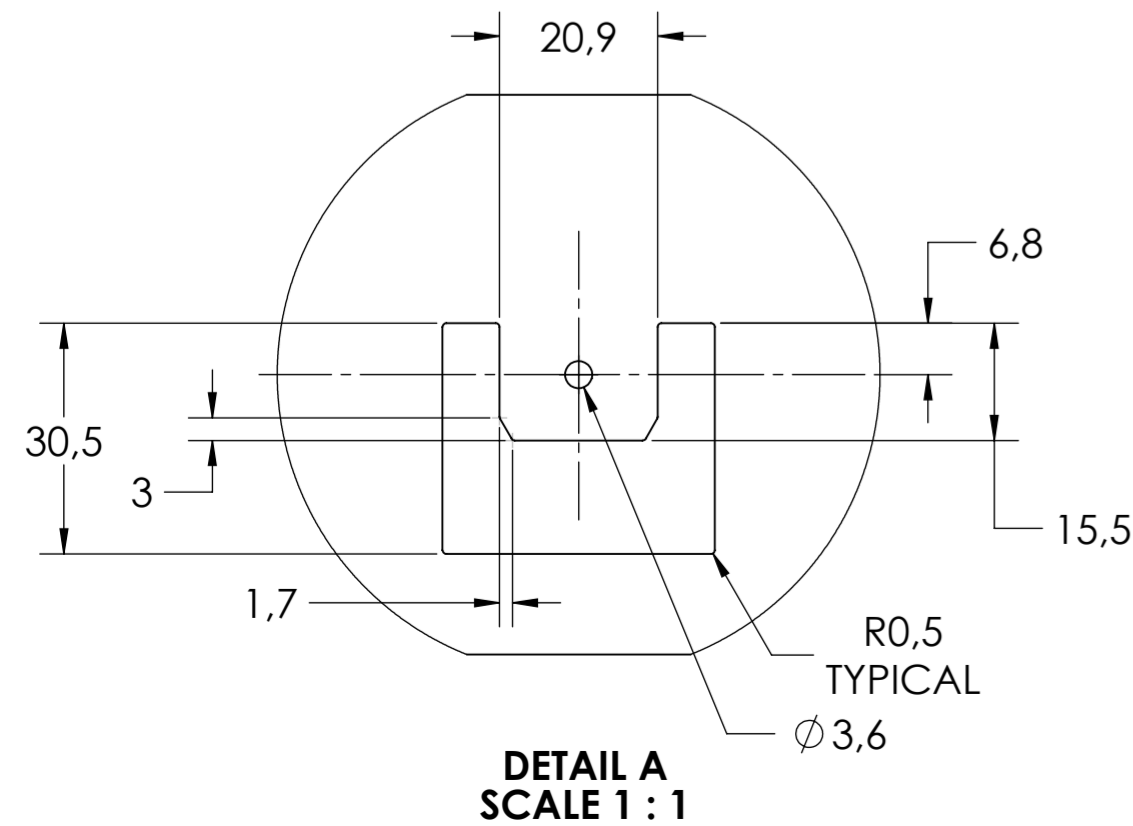
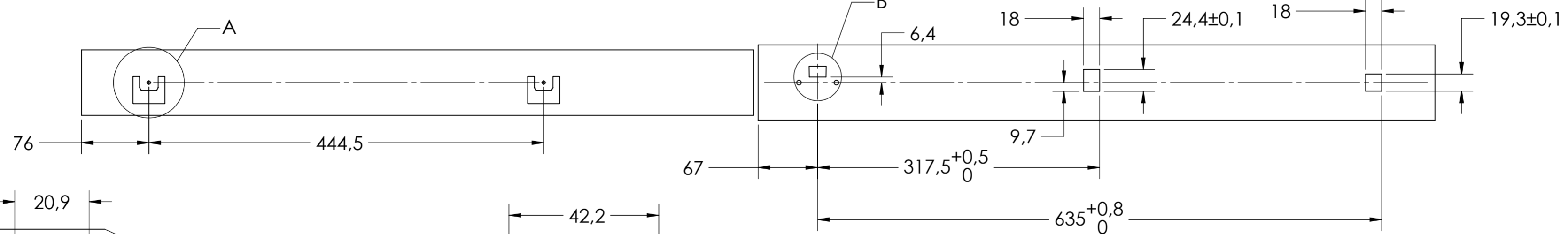


SCALE 1:1



**DRAWER MOUNTING CUTOUTS**

**CABINET MOUNTING CUTOUTS**



general tolerances		DIN ISO 128-30 missing dimensions see 3D = theor. intersection	
ISO 2768-m			
This drawing remains our property and may not be multiplied neither be disclosed to third parties (§§1,3 and 5 from the copyright Act (UrhG)) covered according to DIN ISO 16016			
scale: 1:4		surface: A2	
date: 30-07-2019		name: HB	
drawn: 00-00-0000		proven: 00	
description:		material, semi finished parts: STEEL (technical requirements Fulterer)	
description:		description: SIDE MOUNT FULL EXTENSION HD SMT SLIDE FOR 1.5mm THICK MATERIAL NON-DISCONNECT	
drawing number:		drawing number: 5400.30-GA.T114	
replaces version date:		replaces version date:	
Fulterer AG & Co KG A-6890 Lustenau / Austria		Fulterer AG CH-9430 St. Margrethen	
ind. changes	date	na.	