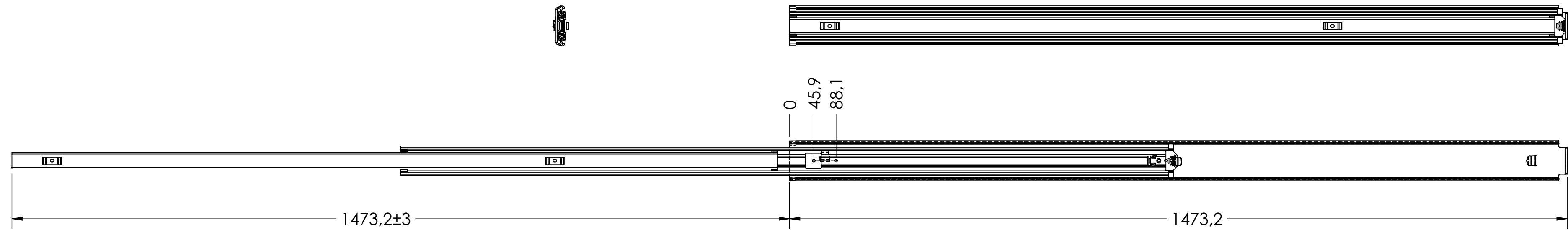
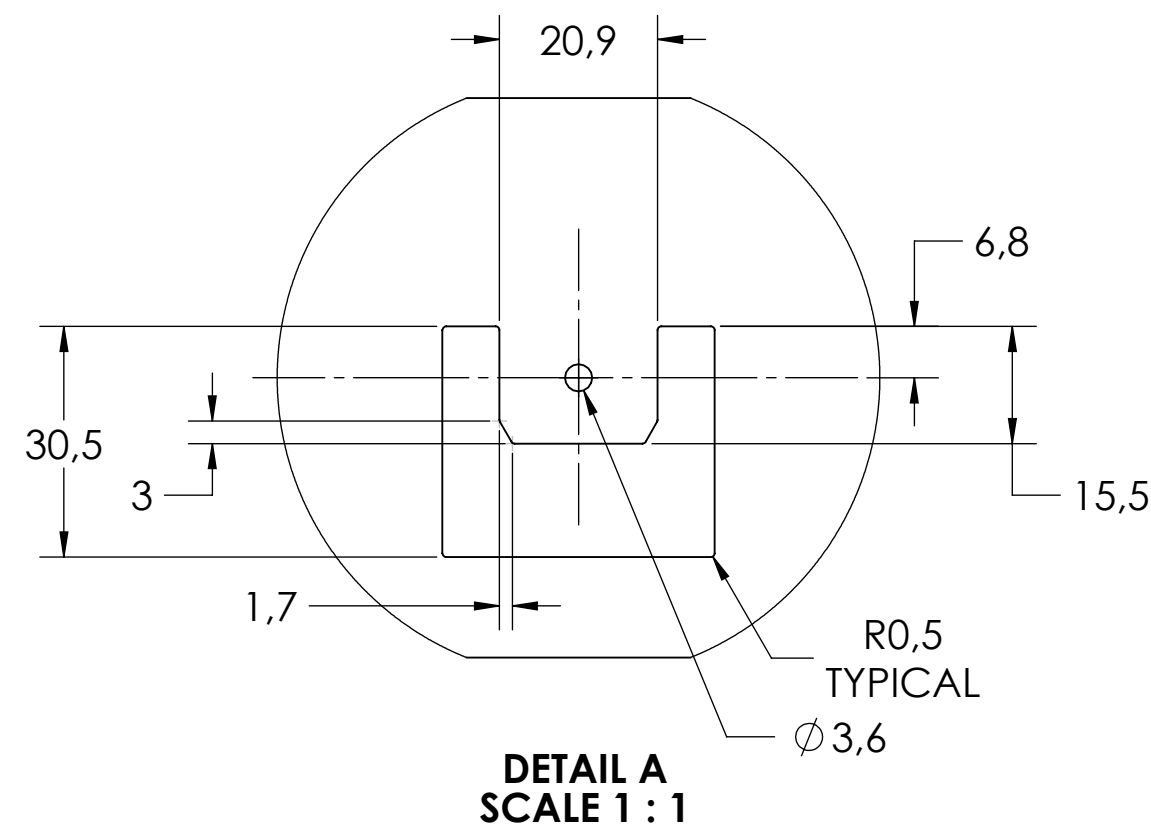
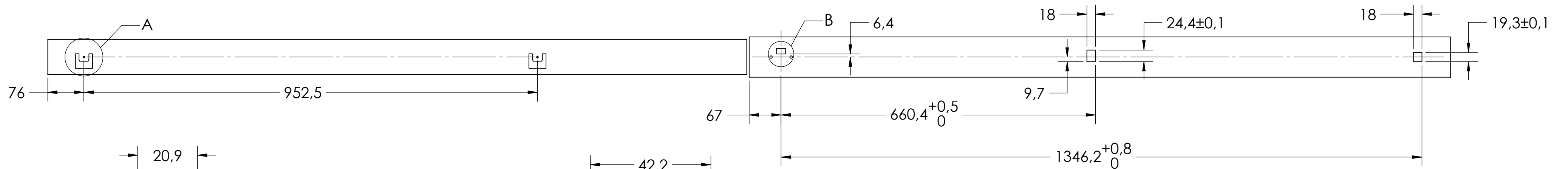


SCALE 1:1

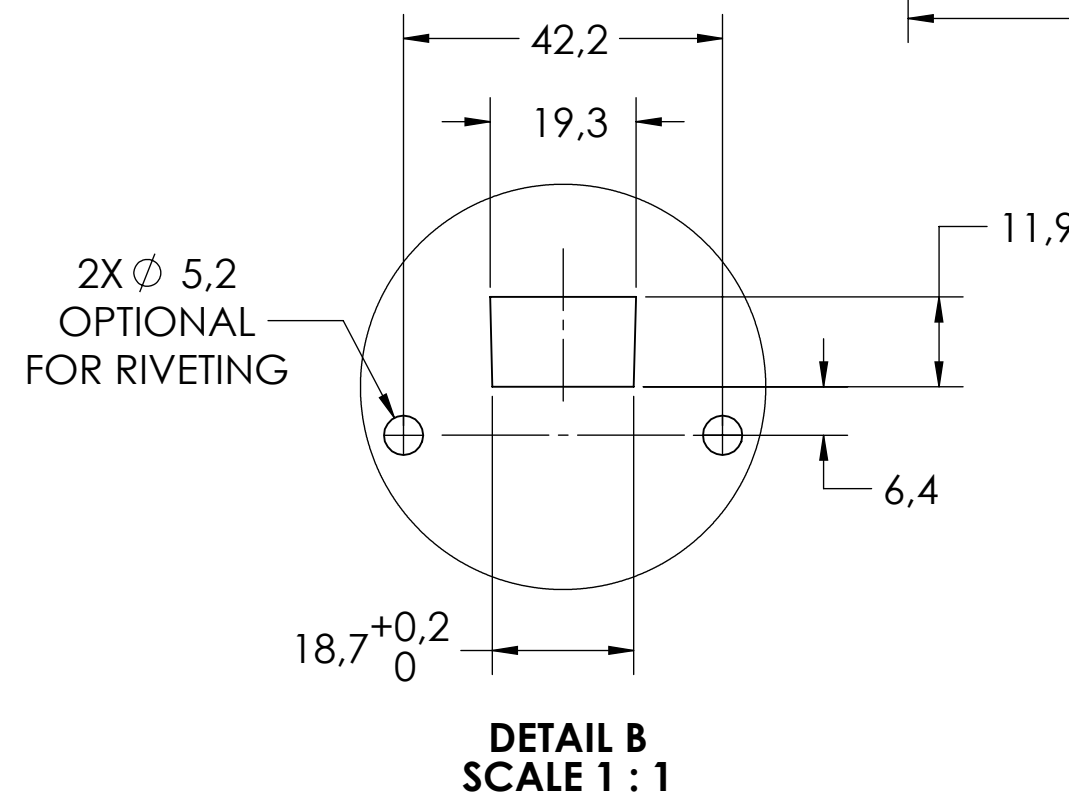


DRAWER MOUNTING CUTOUTS

CABINET MOUNTING CUTOUTS



DETAIL A
SCALE 1:1



DETAIL B
SCALE 1:1

general tolerances		DIN ISO 128-30 missing dimensions see 3D = theor. intersection	
ISO 2768-m			
This drawing remains our property and may not be multiplied neither be disclosed to third parties (§§1,3 and 5 from the copyright Act (UrhG))			
covered according to DIN ISO 16016		scale:	surface:
		1:6	
		date	name
		drawn 30-07-2019	HB
		proven 00-00-0000	00
		Fulterer	
		material, semi finished parts: STEEL (technical requirements Fulterer)	
		description: SIDE MOUNT FULL EXTENSION HD SMT SLIDE FOR 1.5mm THICK MATERIAL NON-DISCONNECT	
		drawing number: 5400.58-GA.T114	
		replaces version date:	
ind.	changes	date	na.
0		00-00-0000	0